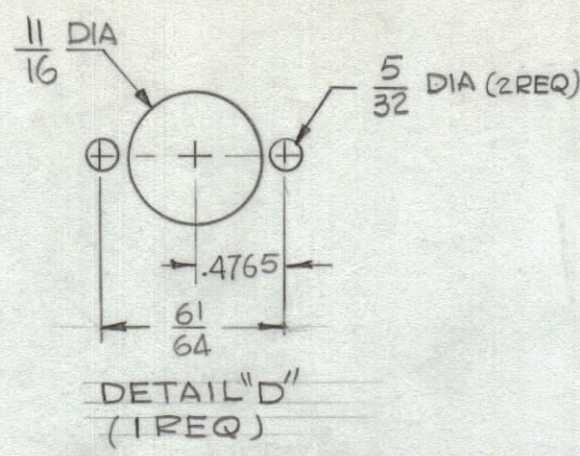
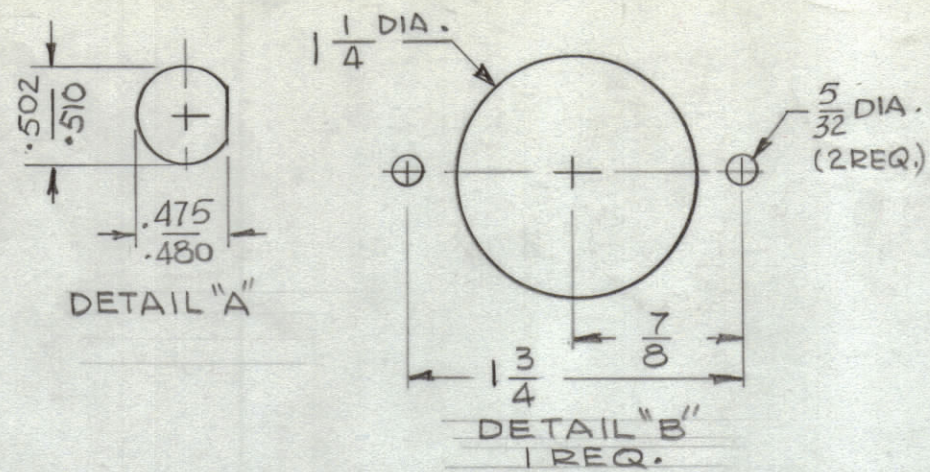
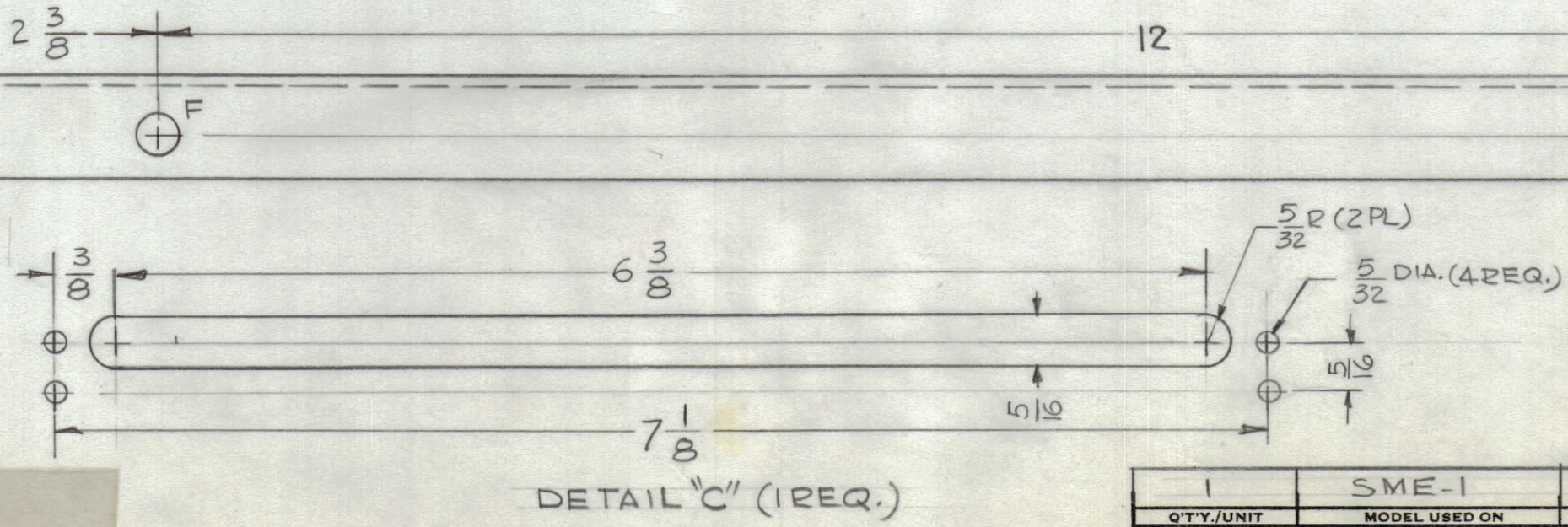
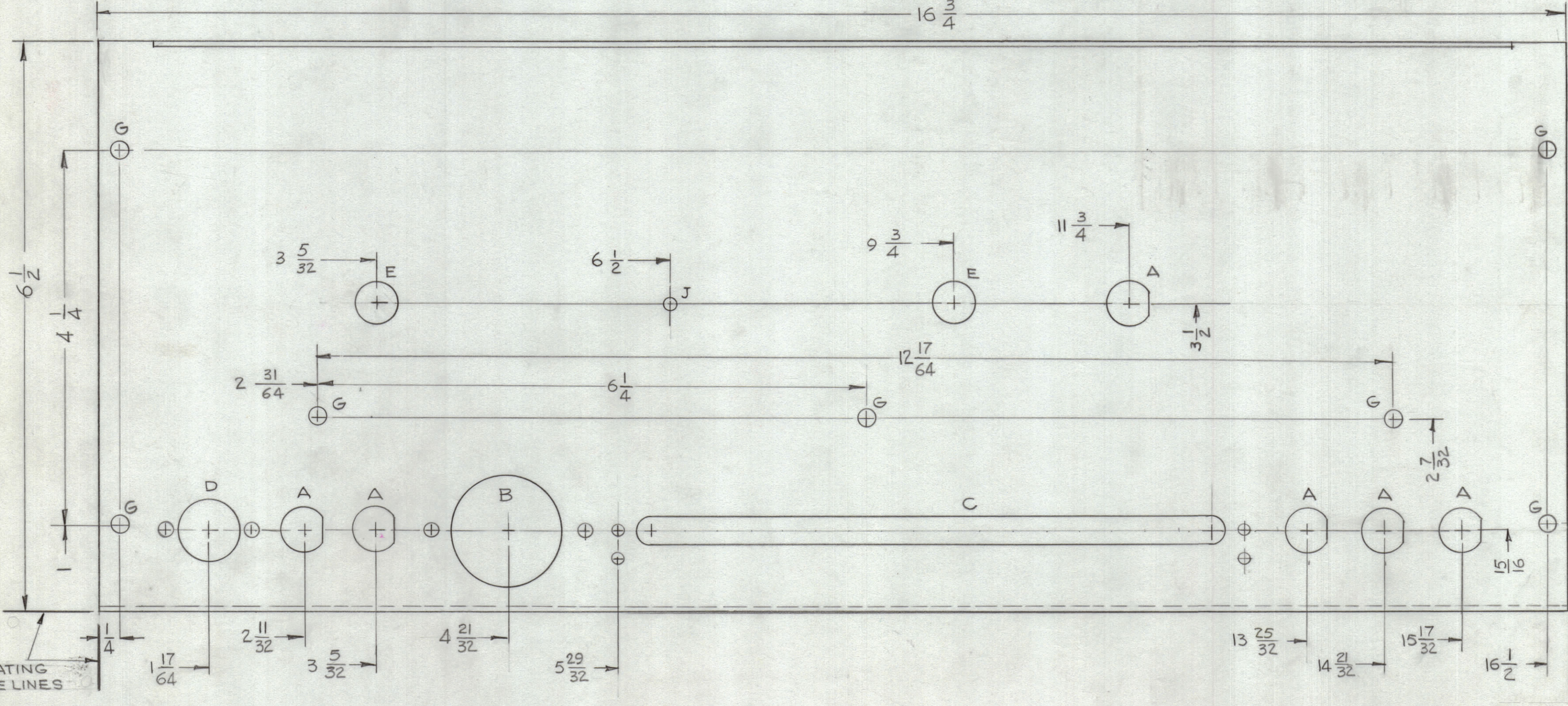
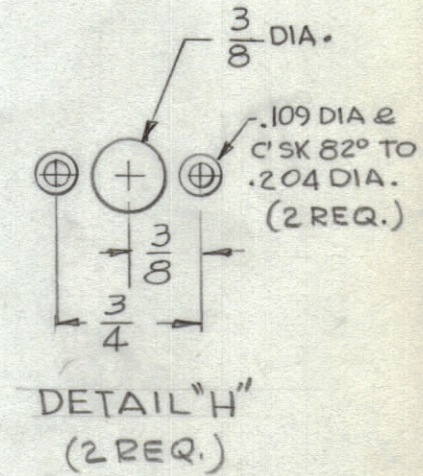
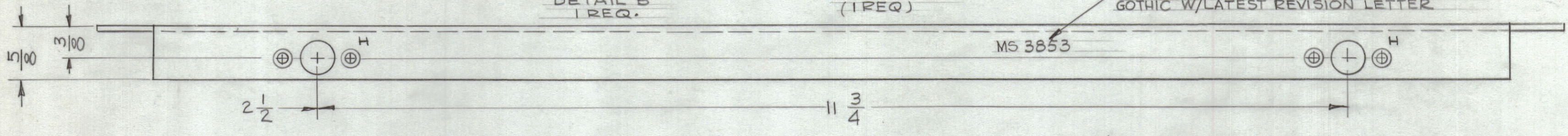


HOLE	DESCRIPTION	REQ'D
A	SEE DETAIL	6
B	SEE DETAIL	1
C	SEE DETAIL	1
D	SEE DETAIL	1
E	15/32 DIA.	2
F	1/4 DIA.	2
G	3/16 DIA.	7
H	SEE DETAIL	2
J	9/64 DIA	1



REVISIONS							
ZONE	SYM	DESCRIPTION	DATE	E.M.N. NO.	DRAFT	CHKD	APPD
	X	EXP. RELEASE	8-24-64	#	G.D.L		
	Ø	ORIGINAL RELEASE FOR PRODUCTION	9-17-64	Ø	9P		
E5	A	ONE "J" HOLE ADDED	9-30-64	12492	MB		74C



- UNLESS OTHERWISE SPECIFIED:
- USE MATERIAL THICKNESS FOR MAXIMUM RADIUS ON ALL BENDS
 - ALL ANGULAR BENDS 90 DEGREES
 - REMOVE ALL BURRS AND SHARP EDGES

NOTES

1	SME-1	
Q'TY./UNIT	MODEL USED ON	ASS'Y. NO.
SCALE 1:1	CODE A	
THE CONTENTS OF THIS DRAWING ARE THE EXCLUSIVE PROPERTY OF THE TECHNICAL MATERIEL CORP. ITS UNAUTHORIZED USE OR REPRODUCTION IN WHOLE OR IN PART IS STRICTLY FORBIDDEN.		

REF: LD -1562

REQ'D.	ITEM	PART NUMBER	DESCRIPTION	SYMBOL
T. AALTONEN			LIST OF MATERIAL	
MATERIAL	.064 THK ALUMINUM 5052-H32		THE TECHNICAL MATERIEL CORP. MAMARONECK, NEW YORK	
FINISH	S404 YEL. IRIDITE		TITLE PLATE, REAR	
DRAWN	G.D.L	DATE 8-24-64	FINAL APPROVAL	DATE
CHECKED	MB	DATE 9-17-64		
ELECT. DES.	MB	DATE 9/17/64	MS3853	A
MECH. DES.		DATE		

MS 3853 A