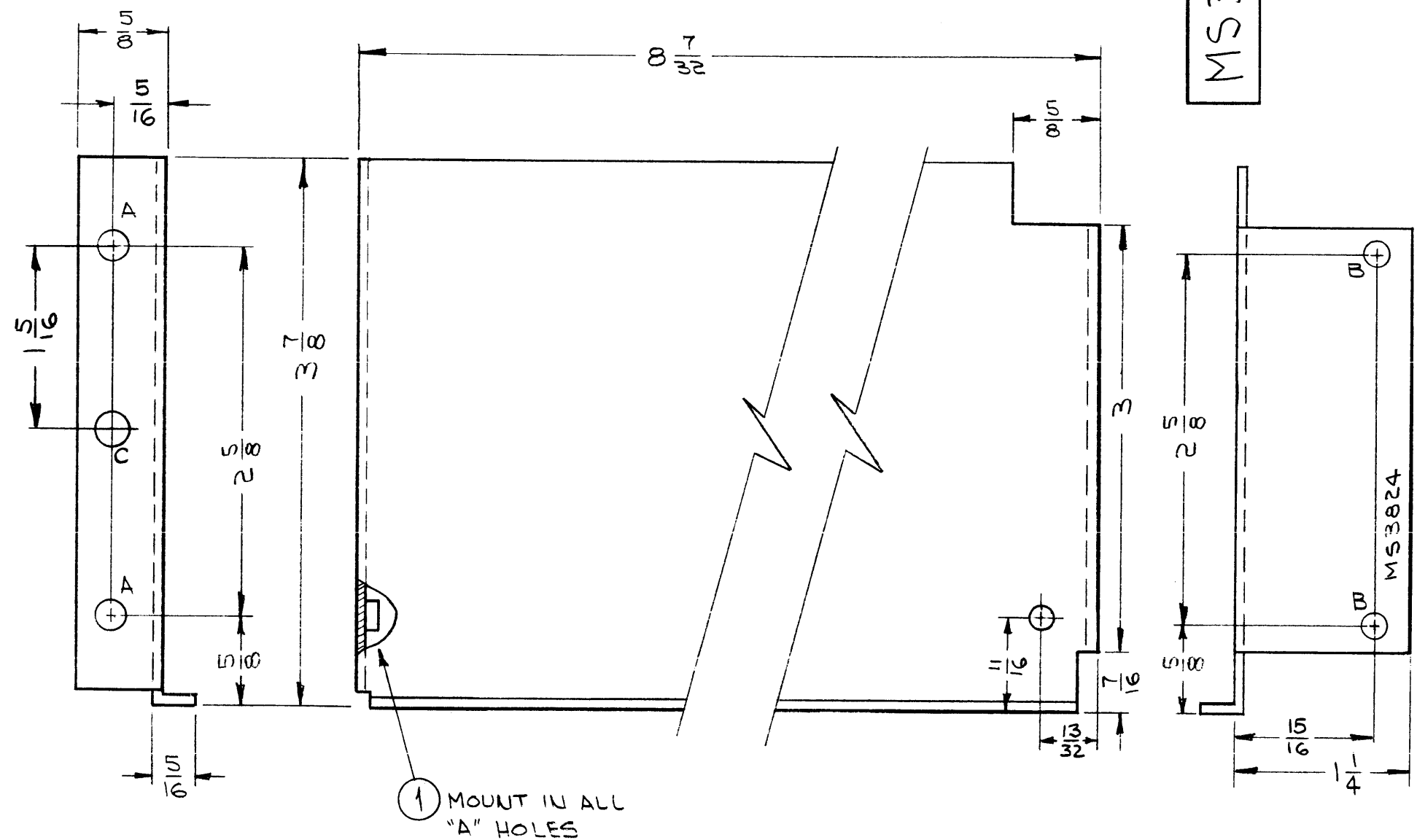


MS3824 B

REVISIONS					
SYM	DESCRIPTION	DATE	E.M.N. NO.	DRAFT	CHKD APPD
X1	REDRAWN & REDESIGNED	9-18-64	X1	<i>[Signature]</i>	
X2	5/8 NOTCH ADDED TO RIGHT SIDE (TOP)	9-21-64	X2	<i>[Signature]</i>	J.S.
<del>Ø</del>	ORIGINAL RELEASE FOR PRODUCTION	9-25-64	<del>Ø</del>	<i>[Signature]</i>	
A	ONE "B" HOLE ADDED, DIMS. UPDATED	10.9.64	12604	WB	<i>[Signature]</i>
B	(1) "C" HOLE ADDED (LEFT LIP)	2-1-65	13342	<i>[Signature]</i>	<i>[Signature]</i>



HOLE	DESCRIPTION	REQ
A	.191-.194 DIA.	2
B	11/64 DIA.	3
C	1/4 DIA	1

METAL STAMP TMC PART NO. 1/8 HIGH GOTHIC, WITH LATEST REVISION LETTER.

1 MOUNT IN ALL "A" HOLES

UNLESS OTHERWISE SPECIFIED:

1. USE MATERIAL THICKNESS FOR MAXIMUM RADIUS ON ALL BENDS
2. ALL ANGULAR BENDS 90 DEGREES
3. REMOVE ALL BURRS AND SHARP EDGES
4. MOUNT INSERTS AFTER FINISHING

NOTES

1	PFCB-1	
Q'TY./UNIT	MODEL USED ON	ASS'Y. NO.
SCALE 1:1	CODE A	
THE CONTENTS OF THIS DRAWING ARE THE EXCLUSIVE PROPERTY OF THE TECHNICAL MATERIEL CORP. ITS UNAUTHORIZED USE OR REPRODUCTION IN WHOLE OR IN PART IS STRICTLY FORBIDDEN.		

2	1	NT129-632-4	NUT, PLAIN SPLINE	A
REQ'D.	ITEM	PART NUMBER	DESCRIPTION	SYMBOL

GELLMAN		LIST OF MATERIAL	
MATERIAL	.081 ALUMINUM 5052-H32	THE TECHNICAL MATERIEL CORP. MAMARONECK, NEW YORK	
FINISH	5404- YELLOW IRIDITE	TITLE PLATE, DOPPLER LEFT SIDE	
UNLESS OTHERWISE SPECIFIED DIMENSIONS ARE IN INCHES AND INCLUDE CHEMICALLY APPLIED OR PLATED FINISHES		DRAWN <i>[Signature]</i>	DATE 9-18-64
		CHECKED <i>[Signature]</i>	DATE 9-25-64
		ELECT. DES. <i>[Signature]</i>	DATE
		MECH. DES.	DATE
		FINAL APPROVAL <i>[Signature]</i>	
		DATE	
		MS3824	
		B	
		SHEET	
		REV. LTR.	