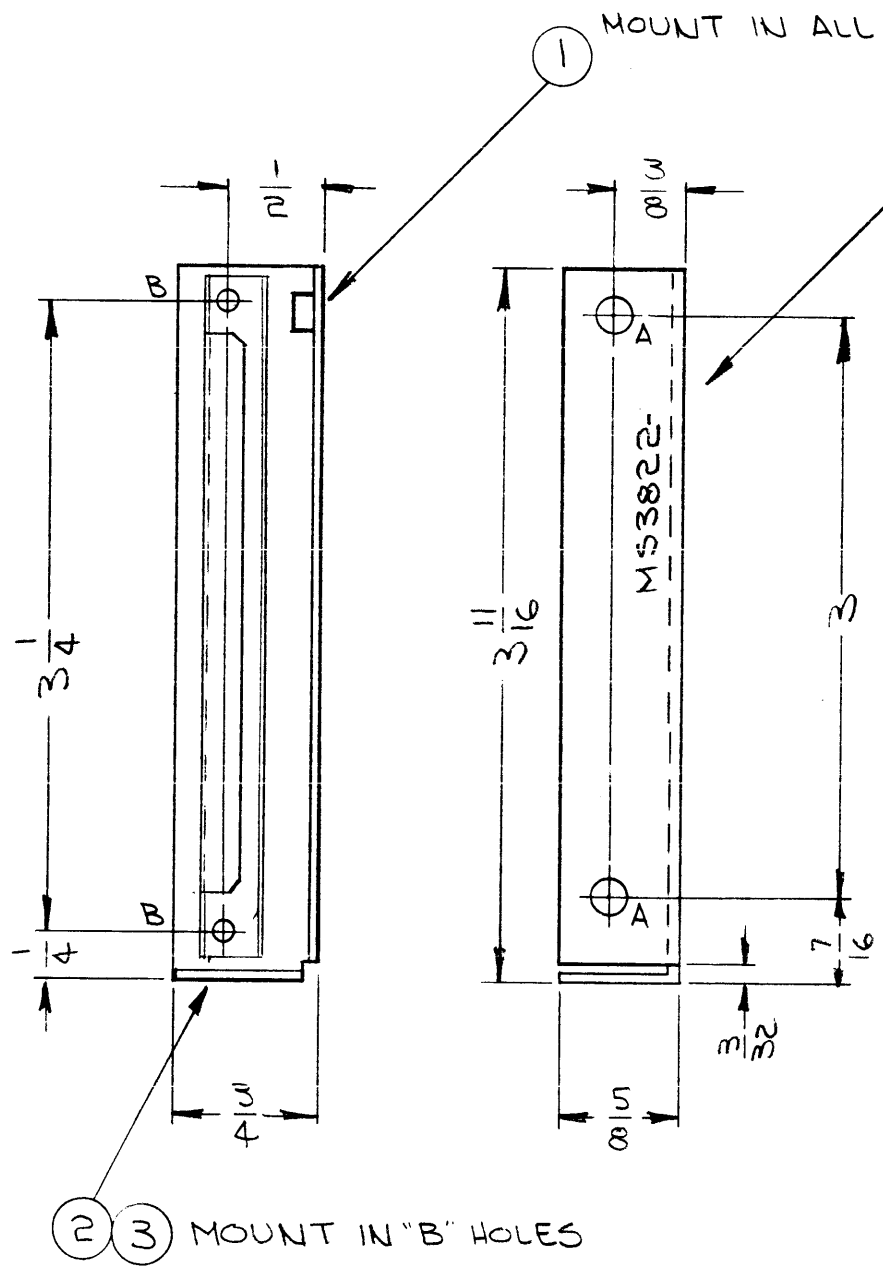


TMC PART NUMBER	DESCRIPTION
MS3822-1	LEFT HAND, AS SHOWN
MS3822-2	RIGHT HAND, OPPOSITE

SYM	DESCRIPTION	REVISIONS				
		DATE	E.M.N. NO.	DRAFT	CHKD	APPD
X1	REDRAWN & REDESIGNED	9.23.64	X1	<i>[Signature]</i>		
\emptyset	ORIGINAL RELEASE FOR PRODUCTION	9.25.64	\emptyset	<i>[Signature]</i>		

MS3822



METAL STAMP TMC PART NO 1/8 HIGH GOTHIC, WITH LATEST REVISION LETTER, PER CHART

HOLE	DESCRIPTION	REQ.
A	.161-.164 DIA	2
B	3/32 DIA.	2

UNLESS OTHERWISE SPECIFIED:

1. USE MATERIAL THICKNESS FOR MAXIMUM RADIUS ON ALL BENDS
2. ALL ANGULAR BENDS 90 DEGREES
3. REMOVE ALL BURRS AND SHARP EDGES
4. MOUNT INSERTS AFTER FINISHING

2	3	EY101-3	EYELET	B
1	2	CU157-1	RETAINER	B
2	1	NT129-440-3	NUT, PLAIN SPLINE	A
REQ'D.	ITEM	PART NUMBER	DESCRIPTION	SYMBOL

GELLMAN		LIST OF MATERIAL	
MATERIAL .064 ALUMINUM 5052-H32		THE TECHNICAL MATERIEL CORP. MAMARONECK, NEW YORK	
FINISH 5404 YELLOW IRIDITE		TITLE BRACKET, MOUNTING RISER CARD	
UNLESS OTHERWISE SPECIFIED DIMENSIONS ARE IN INCHES AND INCLUDE CHEMICALLY APPLIED OR PLATED FINISHES		DRAWN <i>[Signature]</i>	DATE 9.23.64
		CHECKED <i>[Signature]</i>	DATE 9-25-64
		ELECT. DES. <i>[Signature]</i>	DATE
		MECH. DES.	DATE
		FINAL APPROVAL <i>[Signature]</i>	
		DATE	
		MS3822	
		SHEET	
		REV. LTR.	

1 EACH	PFCB-1	
Q'TY./UNIT	MODEL USED ON	ASS'Y. NO.
SCALE 1:1	CODE A	
THE CONTENTS OF THIS DRAWING ARE THE EXCLUSIVE PROPERTY OF THE TECHNICAL MATERIEL CORP. ITS UNAUTHORIZED USE OR REPRODUCTION IN WHOLE OR IN PART IS STRICTLY FORBIDDEN.		

NOTES

DECIMALS .X ± .05 .XX ± .01 .XXX ± .005	TOLERANCES	FRACTIONS ± 1/64 ANGLES ± 0° 30'
--	------------	---