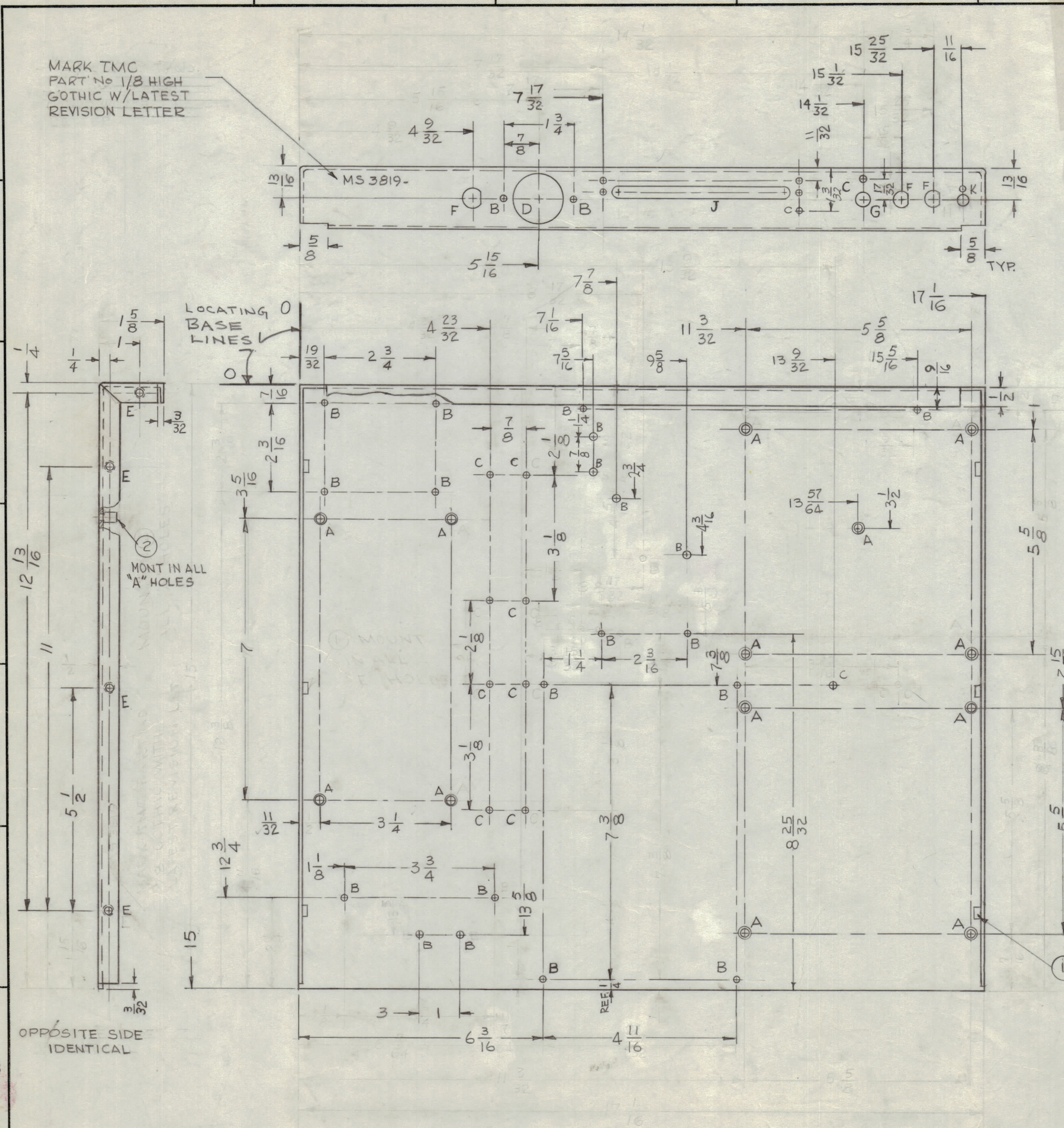
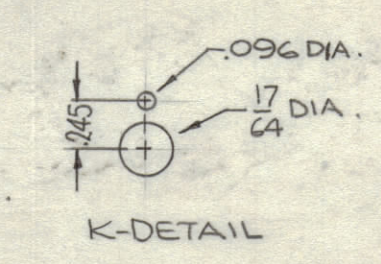
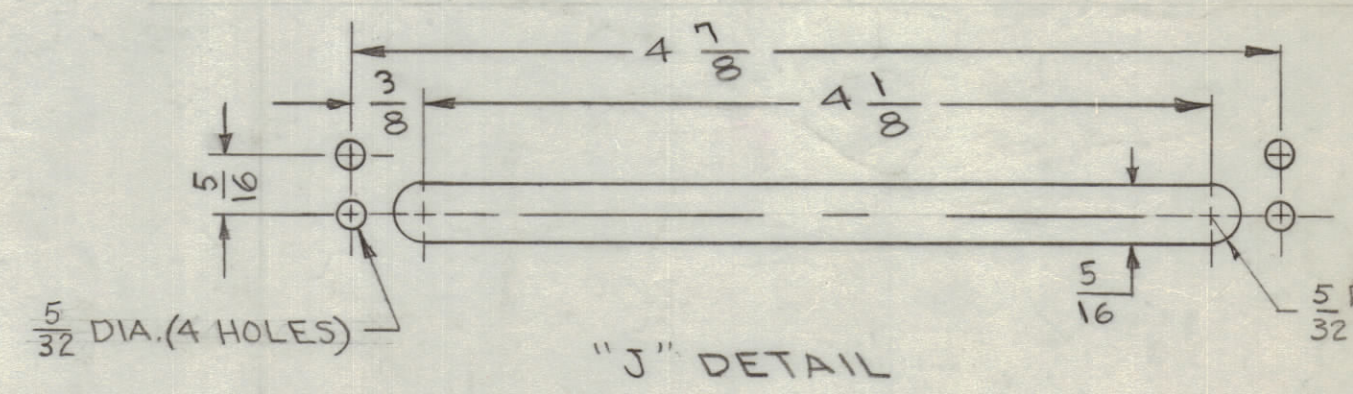
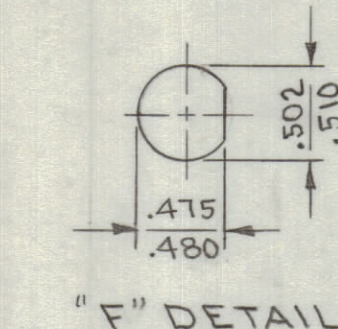


MARK TMC PART NO 1/8 HIGH GOTHIC W/LATEST REVISION LETTER



REVISIONS						
ZONE	SYM	DESCRIPTION	DATE	E.M.N. NO.	DRAFT	CHKD
C, D, E, G, H, J, K, P, Q, R, S, T, U, V, W, X, Y, Z		DELE. 6 1/8 & 7 15/32. ADDED 8 25/32 & 1 1/4. CHG'D DIMS FR. 6 7/16 & 4 27/32, 2 1/8 TO 6 3/16	8-16-66	16767	RME	Q/S
	F	2 "B" HOLES ADDED; 1 "C" HOLE RELOC	2-9-67	17806	LHU	Q/S
		4 "E" HOLES ADDED	9-22-67	X-3		
		4 "F" HOLES ADDED	9-22-67	X-3		
		4 "G" HOLES ADDED	9-22-67	X-3		
		4 "H" HOLES ADDED	9-22-67	X-3		
		4 "I" HOLES ADDED	9-22-67	X-3		
		4 "J" HOLES ADDED	9-22-67	X-3		
		4 "K" HOLES ADDED	9-22-67	X-3		

HOLE LEGEND		
HOLE	DIAMETER	REQD
A	.189 DIA	13
B	5/32 DIA	21
C	9/64 DIA	11
D	1/4 DIA	1
E	.191 -.194 DIA	8
F	SEE DETAIL	3
G	3/8 DIA	1
H	DELETED	
J	SEE DETAIL	1
K	SEE DETAIL	1



OPPOSITE SIDE IDENTICAL

- UNLESS OTHERWISE SPECIFIED:
1. USE MATERIAL THICKNESS FOR MAXIMUM RADIUS ON ALL BENDS
 2. ALL ANGULAR BENDS 90 DEGREES
 3. REMOVE ALL BURRS AND SHARP EDGES
 4. MOUNT INSERTS AFTER FINISHING

REF: LD1542 (STR-1, STR-2)

REQ'D.	ITEM	PART NUMBER	DESCRIPTION	SYMBOL
13	2	TE108-11	STANDOFF, RIVET TYPE	A
8	1	HT129-632-4	NUT, ROUND, SWAGE TYPE	E

LIST OF MATERIAL			
MATERIAL	.064 THK. ALUMINUM 5052-H32	THE TECHNICAL MATERIEL CORP. MAMARONECK, NEW YORK	
FINISH	5404 YEL IRIDITE	TITLE CHASSIS, MAIN	
UNLESS OTHERWISE SPECIFIED DIMENSIONS ARE IN INCHES AND INCLUDE CHEMICALLY APPLIED OR PLATED FINISHES	DRAWN AMARINO DATE 6-30-64 FINAL APPROVAL RAC DATE 9-23-64		
DECIMALS .X ± .05 .XX ± .01 .XXX ± .005	FRACTIONS ± 1/64 ANGLES ± 0° 30'	ELECT. DES. TMC DATE 7-24-64	MECH. DES. DATE
SCALE 1:2		SHEET MS 3819 - E	
MODEL USED ON STR-2C		ASS'Y. NO.	
CODE A			

NOTES

THE CONTENTS OF THIS DRAWING ARE THE EXCLUSIVE PROPERTY OF THE TECHNICAL MATERIEL CORP. ITS UNAUTHORIZED USE OR REPRODUCTION IN WHOLE OR IN PART IS STRICTLY FORBIDDEN.