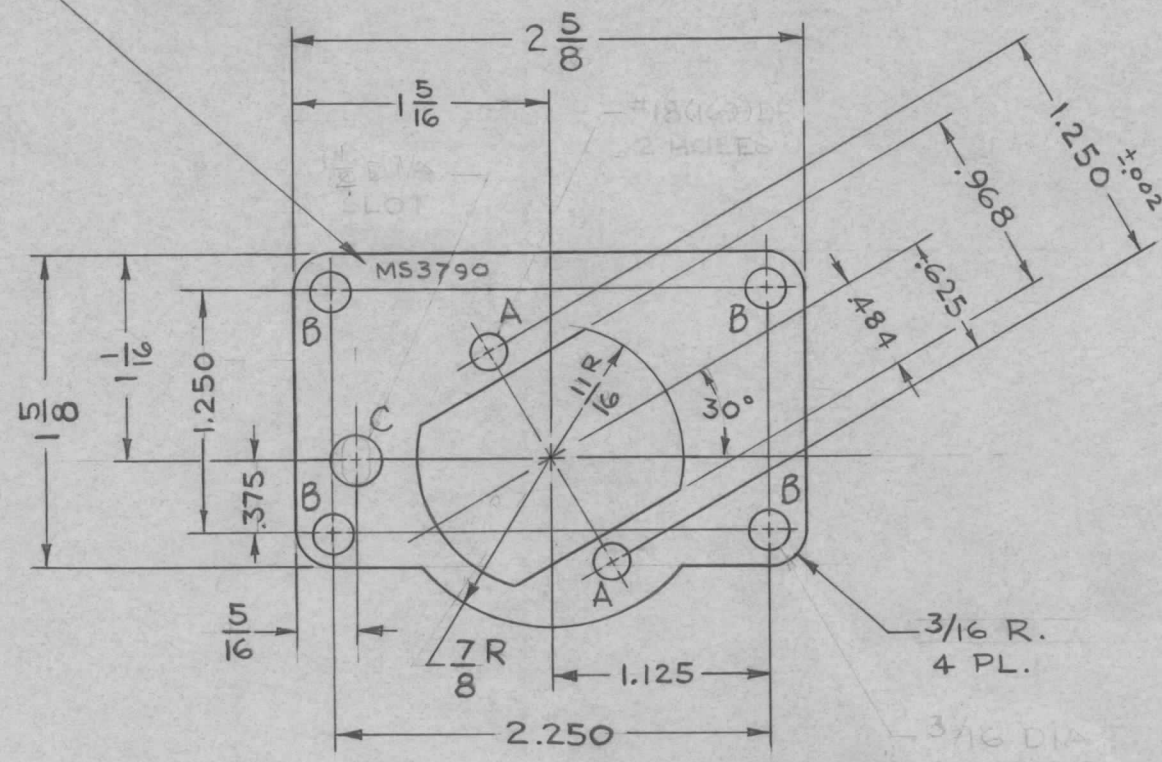


METAL STAMP TMC PART NO. 1/8 HIGH GOTHIC.  
W/LATEST REV. LETTER.

REQ. PER UNIT	USED ON			MS3790	Ø
	MODEL	ASS'Y. NO.	DATE		
	HFA-1		4-29-64		



HOLES	REQ.
A-#18 DR (169) DIA.	2
B-3/16 DIA.	4
C-1/4 DIA.	1

SYM	DESCRIPTION	DATE	CH. NO.	DRAFTS	CHECKER	ENG. APP.	REQ. ITEM	PART NO.	EATON DESCRIPTION	SYMBOL		
Ø	ORIGINAL RELEASE FOR PRODUCTION	2/23/65		JF			.081 THK		THE TECHNICAL MATERIEL CORP. MAMARONECK, NEW YORK	Ø		
X1	1/4 DIA. WAS 1/8 X 1/4 SLOT.	6/2/69		TE			STOCK SIZE	ALUMINUM			PLATE, MOUNTING	
							MATERIAL				(LEDEX 5-5)	
UNLESS OTHERWISE SPECIFIED DIMENSIONS ARE IN INCHES AND INCLUDE CHEMICALLY APPLIED OR PLATED FINISHES		SCALE					5052H32		TAR	JOB	RAC	
		1:1					TYPE & TEMPER	HEAT TREAT. SPEC.	DRAWN	CHECKED	FINAL APPROVAL	
DECIMALS .X ± .05 .XX ± .01 .XXX ± .005		FRACTIONS ± 1/64 ANGLES ± 0° 30'	CODE					5404 YEL. IRIDITE		REITA	B. Barnes	MS3790
TOLERANCES			A					FINISH & SPEC. NO.	ELEC. DES. APP.	MECH. DES. APP.	Ø	