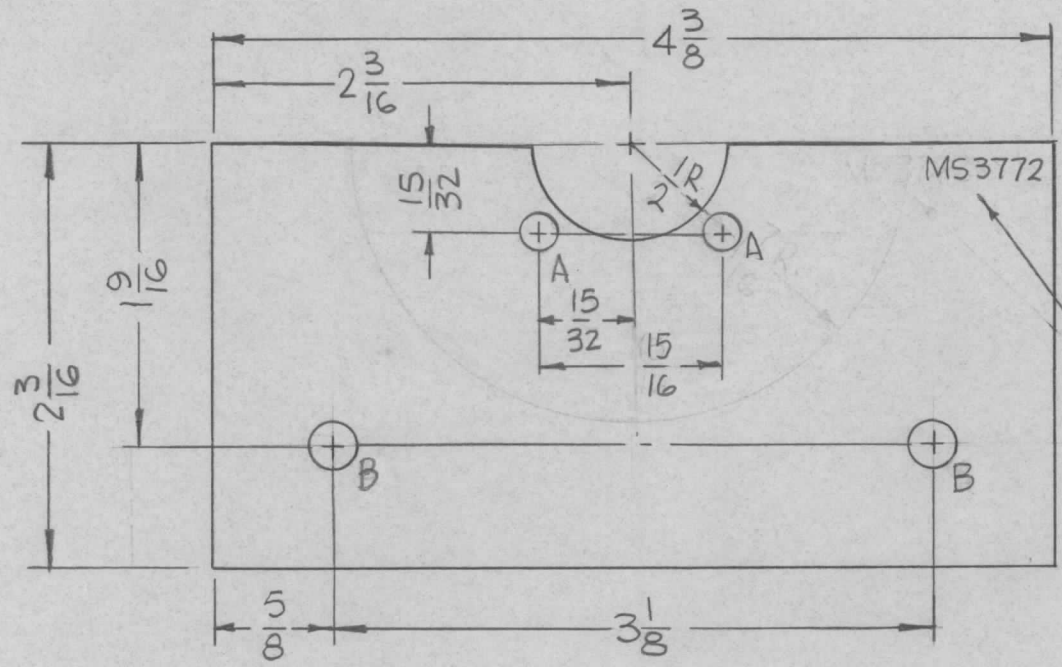


REQ. PER UNIT	USED ON		
	MODEL	ASS'Y. NO.	DATE
2	RAK-110-2	BMA 156	11-14-66
2	RAK-111-2	BMA 158	11-14-66

MS3772 Q



HOLES:
 A - 13/64 DIA. (2 REQ.)
 B - 15/64 DIA. (2 REQ.)

MARK TMC P/N
 1/8 HIGH GOTHIC
 W/LATEST REV.
 LETTER.

SYM	DESCRIPTION	DATE	CH. NO.	DRAFTS	CHECKER	ENG. APP.	REQ. ITEM	PART NO.	F. BUDETTI	DESCRIPTION	SYMBOL
Q	ORIGINAL RELEASE FOR PRODUCTION	12.1.66					.081			THE TECHNICAL MATERIEL CORP. MAMARONECK, NEW YORK	
X	EXP. RELEASE	11-14-66					ALUMINUM			PLATE, MTG. DIRECTIONAL COUPLER	
	UNLESS OTHERWISE SPECIFIED DIMENSIONS ARE IN INCHES AND INCLUDE CHEMICALLY APPLIED OR PLATED FINISHES	SCALE	1:1				5052-H32				
	DECIMALS .X ± .05 .XX ± .01 .XXX ± .005	FRACTIONS ± 1/64 ANGLES ± 0° 30'	CODE A				TYPE & TEMPER	HEAT TREAT. SPEC.	DRAWN	CHECKED	FINAL APPROVAL
	TOLERANCES						S520 TEX. VINYL PAINT				MS3772 Q
							FINISH & SPEC. NO.	ELEC. DES. APP.	MECH. DES. APP.		