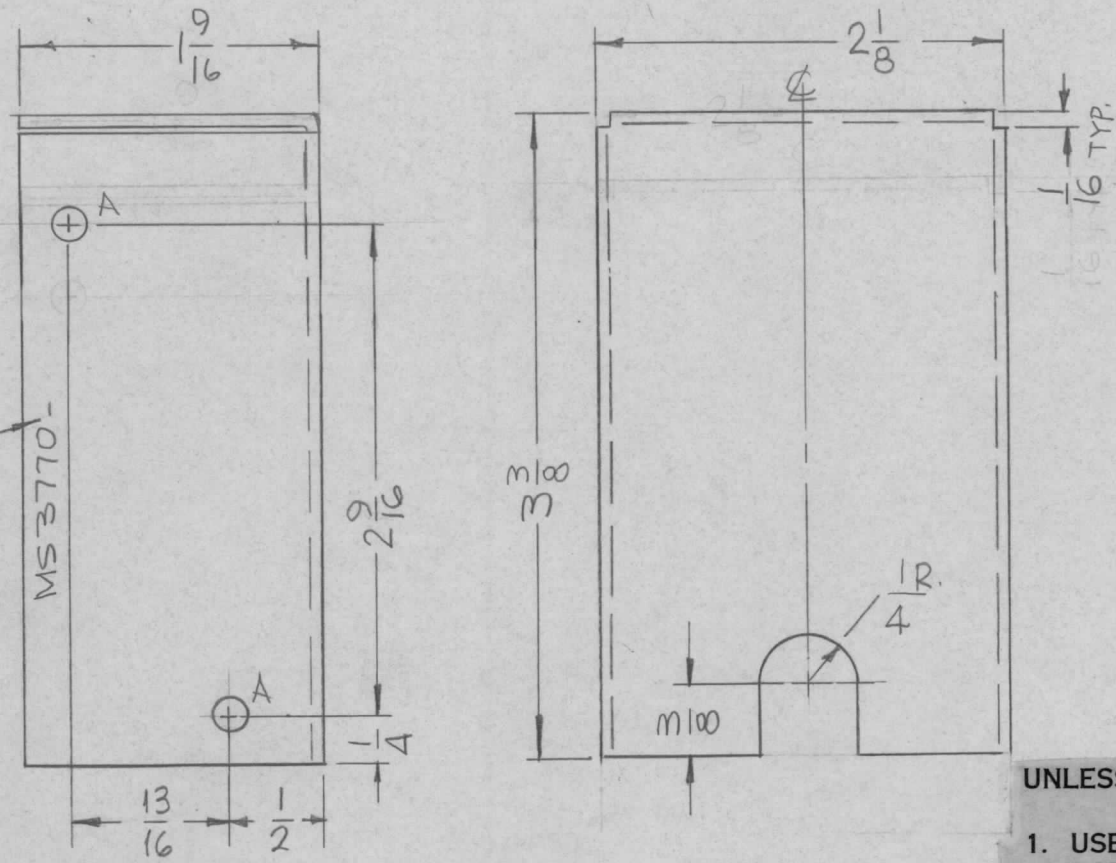


REQ. PER UNIT	USED ON		
	MODEL	ASS'Y. NO.	DATE
1	PS-4A	A4548	11-18-66
1	KIT-320	A4548	11-18-66

MS3770 \emptyset



Holes:
A-11/64 DIA. (4 REQ.)

MARK TMC P/N
1/8" HIGH GOTHIC
W/LATEST REV.
LETTER.

OPP. SIDE SAME

- UNLESS OTHERWISE SPECIFIED:
1. USE MATERIAL THICKNESS FOR MAXIMUM RADIUS ON ALL BENDS
 2. ALL ANGULAR BENDS 90 DEGREES
 3. REMOVE ALL BURRS AND SHARP EDGES

SYM	DESCRIPTION	DATE	CH. NO.	DRAFTS	CHECKER	ENG. APP.	REQ. ITEM	PART NO.	F. BUDETTI DESCRIPTION	SYMBOL	
\emptyset	ORIGINAL RELEASE FOR PRODUCTION	3/23/67		RME			.054 THICK		THE TECHNICAL MATERIEL CORP. MAMARONECK, NEW YORK	COVER, BRKT MTG. SWITCH	
X ₁	3 3/8 WAS 3, 2-9/16 WAS 2-3/16	1-11-67				STOCK SIZE					
X	EXP. RELEASE	11-18-66				ALUMINUM					
							MATERIAL				
	UNLESS OTHERWISE SPECIFIED DIMENSIONS ARE IN INCHES AND INCLUDE CHEMICALLY APPLIED OR PLATED FINISHES	SCALE	1:1				5052-H32				
	DECIMALS .X ± .05 .XX ± .01 .XXX ± .005	TOLERANCES	FRACTIONS ± 1/64 ANGLES ± 0° 30'	CODE	A		S404 YEL IRIDITE				
							FINISH & SPEC. NO.	ELEC. DES. APP.	MECH. DES. APP.	MS3770 \emptyset	