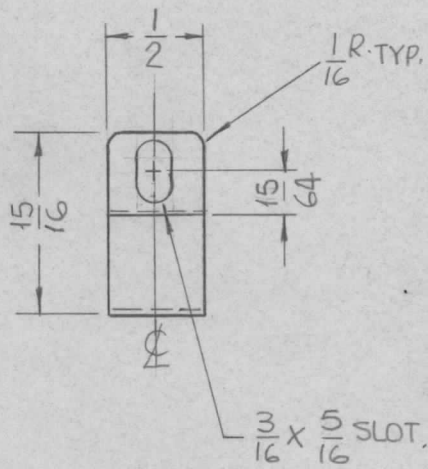
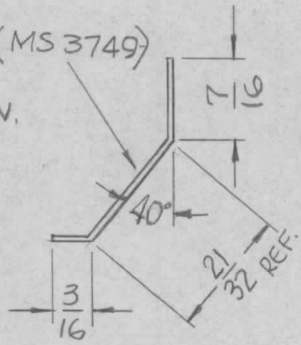


REQ. PER UNIT	USED ON			MS3749	A
	MODEL	ASS'Y. NO.	DATE		
4	TLAA-2.5K	A5498	10-5-66		

MARK TMC P/N (MS3749)  
 3/8" HIGH GOTHIC  
 W/LATEST REV.  
 LETTER.



NOTE:  
 BREAK ALL SHARP EDGES.

SYM	DESCRIPTION	DATE	CH. NO.	DRAFTS	CHECKER	ENG. APP.	REQ. ITEM	PART NO.	F. BUDETTI DESCRIPTION	SYMBOL		
A	ADDED NOTE: 600°F FOR 3 HRS	5-31-67	18256	L.A.K		FB			<b>THE TECHNICAL MATERIEL CORP.</b> <b>MAMARONECK, NEW YORK</b>  <b>SPRING, CONTACT</b>	A		
Ø	ORIGINAL RELEASE FOR PRODUCTION	1/18/66	Ø	CV			.020 THICK	STOCK SIZE				
X	EXP. RELEASE	10-5-66	X				BERRILIUM COPPER	MATERIAL				
							SPRING TEMPER 600°F FOR 3 HRS	TYPE & TEMPER HEAT TREAT. SPEC.				
UNLESS OTHERWISE SPECIFIED DIMENSIONS ARE IN INCHES AND INCLUDE CHEMICALLY APPLIED OR PLATED FINISHES							SCALE					
							1:1					
DECIMALS .X ± .05 .XX ± .01 .XXX ± .005							TOLERANCES		FRACTIONS ± 1/64 ANGLES ± 0° 30'		CODE	
							A					
							FINISH & SPEC. NO. S245 SILVER PLATE S423 SILVER KOTE		ELEC. DES. APP. MECH. DES. APP.		MS3749	A