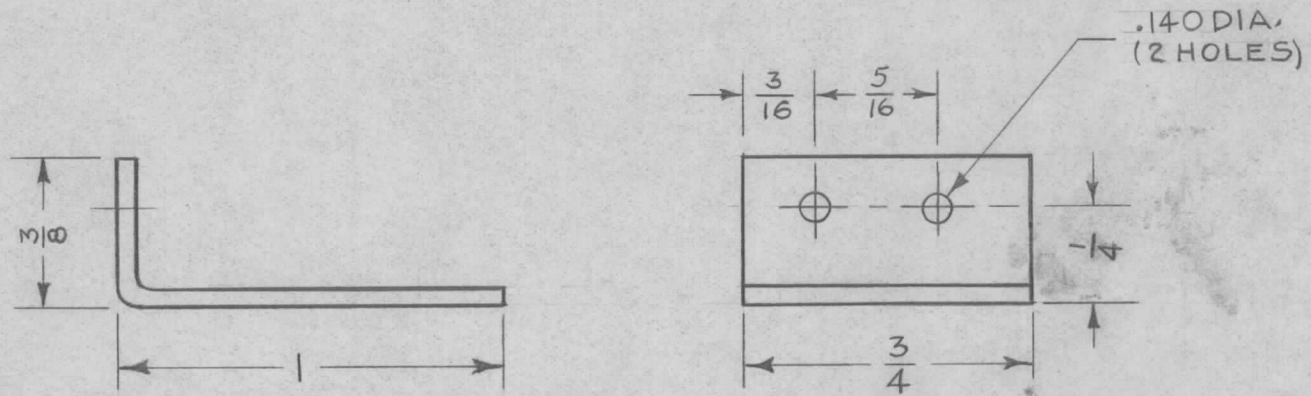


REQ. PER UNIT 1	USED ON		MS-3730
	MODEL MSA-1	ASS'Y. NO.	



REQ.	ITEM	PART NO.	T. AALTONEN DESCRIPTION			SYMBOL
		.080	THE TECHNICAL MATERIEL CORP.			
		STOCK SIZE	MAMARONECK, NEW YORK			
		ALUMINUM	BRACKET, MOUNTING			
		MATERIAL				
		5052 H32	3.23.64	4/27/64	RC	
		TYPE & TEMPER	WTB.			
		HEAT TREAT. SPEC.				
			DRAWN	CHECKED	FINAL APPROVAL	
		S404-YELL. IRIDITE	TKA	WTB		
		FINISH & SPEC. NO.	ELEC. DES. APP.	MECH. DES. APP.	MS-3730	

ORIGINAL RELEASE FOR PRODUCTION 4/27/64

UNLESS OTHERWISE SPECIFIED DIMENSIONS ARE IN INCHES AND INCLUDE CHEMICALLY APPLIED OR PLATED FINISHES

DECIMALS
.X ± .05
.XX ± .01
.XXX ± .005

FRACTIONS
± 1/64
ANGLES
± 0° 30'

TOLERANCES

CODE
A