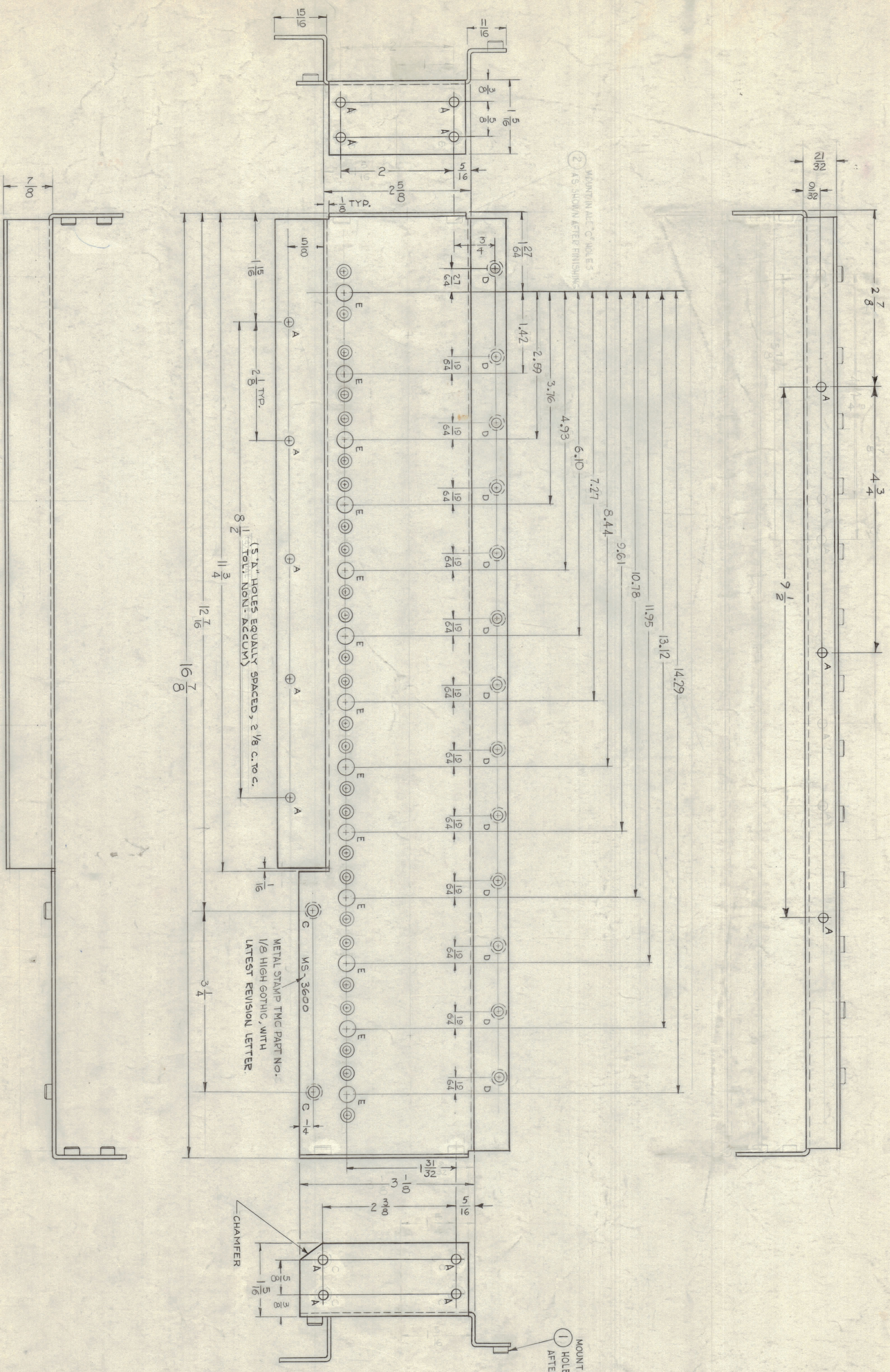
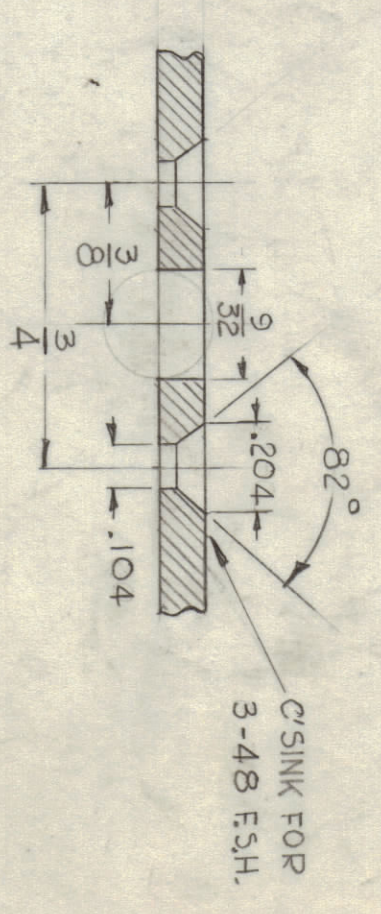


ZONE	SYM	DESCRIPTION	DATE	EMPL NO.	DRAWN	CHKD.	APPD.
E10	X1	"D" HOLE LOCATION WAS 1 9/16"	1/26/64		JL		
#	2	ORIGINAL RELEASE FOR PRODUCTION					

REVISIONS

HOLE	DESCRIPTION	REQD
A	5/32 DIA.	16
B	DELETED	2
C	.194 - .191 DIA.	13
D	.164 - .161 DIA.	13
E	SEE DETAIL "E"	13



MOUNT IN ALL "D" HOLES AS SHOWN AFTER FINISHING.

15 "D" HOLES EQUALLY SPACED, ± 1/8 C.T.O.C. (TOL. NOT ACCUM.)

METAL STAMP TMC PART NO. 1/8 HIGH GOTHIC, WITH LATEST REVISION LETTER.

MS-3600

REF: LD-1418

QTY	ITEM	PART NUMBER	DESCRIPTION	SYMBOL
2	2	NT-129-632-A	NUT, ROUND, SWAGE TYPE	C
13	1	NT-129-440-A	NUT, ROUND, SWAGE TYPE	D

LIST OF MATERIAL

MATERIAL .062 THK ALUMINUM 5052-H32

FINISH 5404 YEL. IRIDIOTE

TITLE CHASSIS, ELECTRICAL, MAIN-FRONT

MAAARONECK, NEW YORK

DESIGNER	CHECKED	DATE	FINAL APPROVAL	DATE
GDL	5-7-63		MS-3600	

- UNLESS OTHERWISE SPECIFIED:
- USE MATERIAL THICKNESS FOR MAXIMUM RADII ON ALL BENDS.
 - ALL ANGULAR BENDS 90°.
 - REMOVE ALL BURNS AND SHARP EDGES.
 - MOUNT INSERTS AFTER FINISHING.

NOTES

SCALE	LEGEND	ASBY. NO.
1-1	A	

11 10 9 8 7 6 5 4 3 2 1