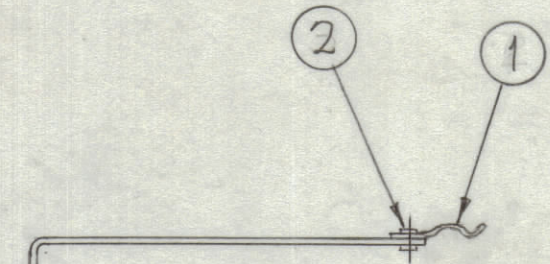
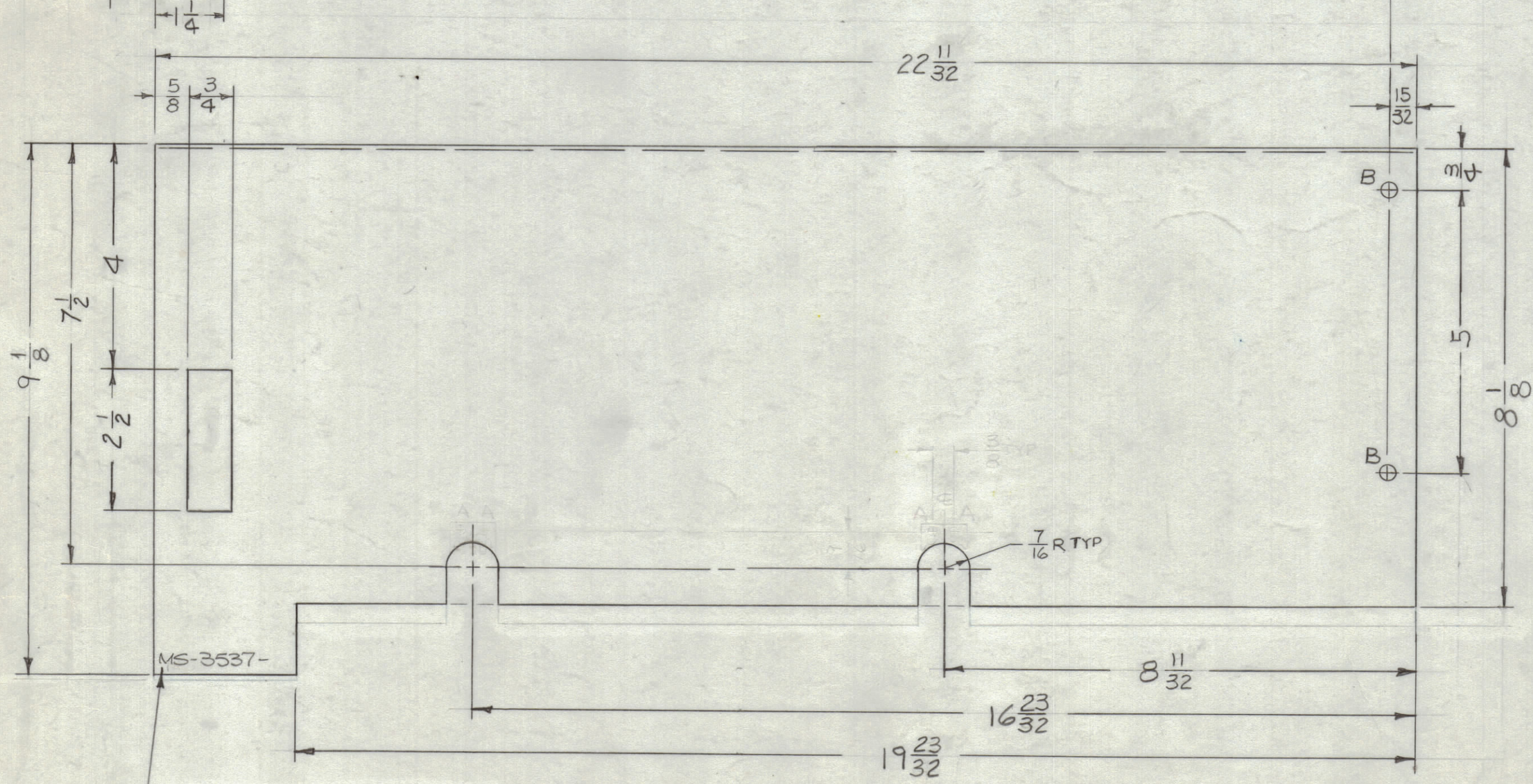
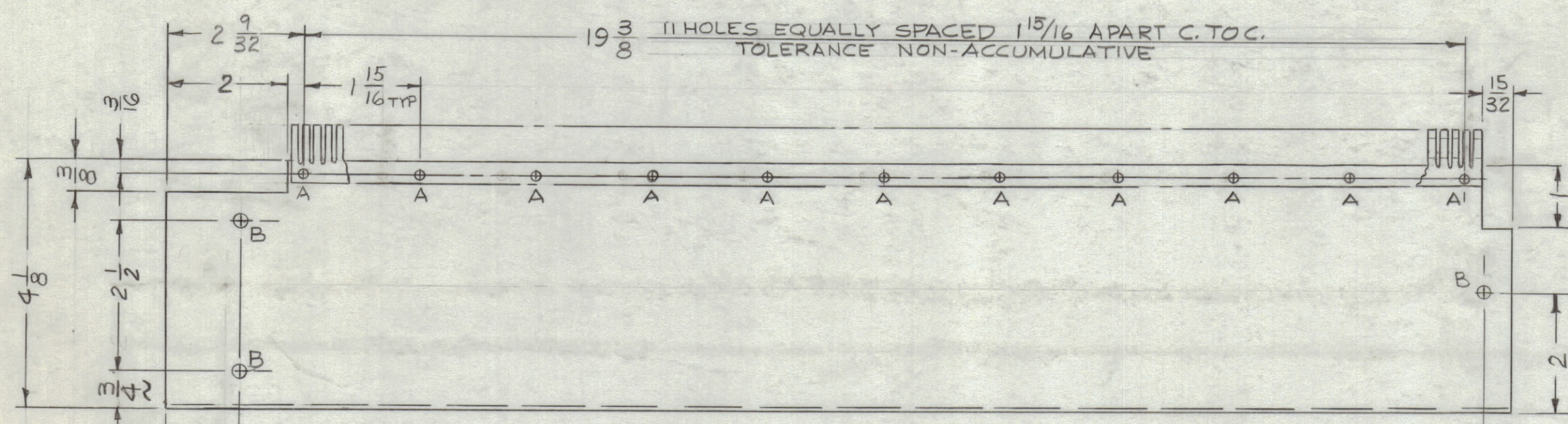
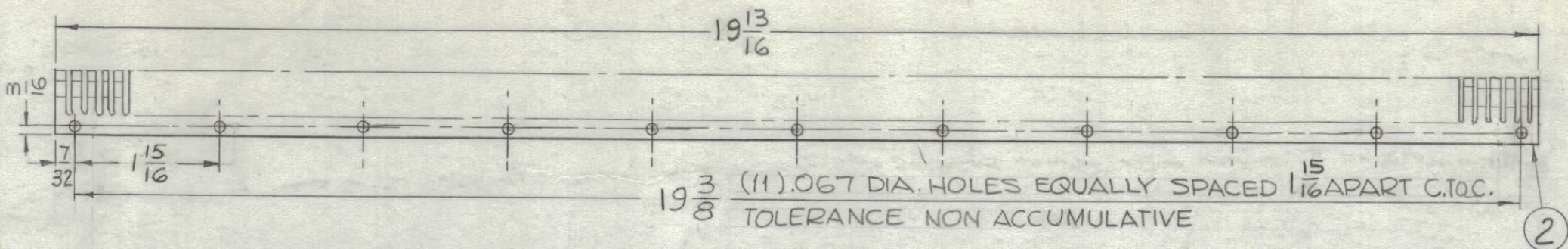


REVISIONS						
ZONE	SYM	DESCRIPTION	DATE	E.M.N. NO.	DRAFT	CHKD
F7	X1	3/4 WAS 5/8	11/12/63		AT	
	X2	ITEM NO 1 WAS FP-160H .785P. EXISTING ITEM NO 1 WAS ITEM 2				
	X3	ITEM NO 2 WAS ITEM NO 3. 4" HOLES DELETED				
		DIM. 9 1/8 WAS 9 1/2; 8 1/8 WAS 8 1/2	5-13-64		SRG	
		ORIGINAL RELEASE FOR PRODUCTION	5-18-64		SRG	



MS-3537-1	AS SHOWN
MS-3537-2	OPPOSITE HAND

METAL STAMP TMC PART NO.
1/8 HIGH GOTHIC W/LATEST
REV. LETTER.

- UNLESS OTHERWISE SPECIFIED:
1. USE MATERIAL THICKNESS FOR MAXIMUM RADIUS ON ALL BENDS.
 2. ALL ANGULAR BENDS 90°.
 3. REMOVE ALL BURRS AND SHARP EDGES.
 4. MOUNT RIVETS AFTER FINISHING.

HOLE	DESCRIPTION	REQ'D
A	.067 DIA	11
B	13/64 DIA	5

REQ'D	ITEM	PART NUMBER	DESCRIPTION	SYMBOL
11	2	EY-100-5	EYELET, FLAT FLANGE	
1	1	FR160C 19.812P	CONTACT, ELECTRICAL	

MATERIAL		THE TECHNICAL MATERIEL CORP.	
.064 TH'K ALUMINUM 5052-H32		MAMARONECK, NEW YORK	
FINISH		TITLE	
S 404 IRIDITE 14-2 AL-COAT		SHIELD, REAR, FRONT PANEL P.A.	
UNLESS OTHERWISE SPECIFIED DIMENSIONS ARE IN INCHES AND INCLUDE CHEMICALLY APPLIED OR PLATED FINISHES		DRAWN A TORSI	DATE 11-9-63
DECIMALS .X ± .05 .XX ± .01 .XXX ± .005		CHECKED AA	DATE 3/14/64
FRACTIONS ± 1/64 ANGLES ± 0° 30'		ELECT. DES. CB	DATE 3/14/64
TOLERANCES		MECH. DES. me 2/14/64	DATE 3/14/64
1 ea GPT-200K AX 395		MS-3537	
Q'TY./UNIT SCALE 1=2		SHEET	
MODEL USED ON CODE A		REV. LTR.	
ASS'Y. NO.			
THE CONTENTS OF THIS DRAWING ARE THE EXCLUSIVE PROPERTY OF THE TECHNICAL MATERIEL CORP. ITS UNAUTHORIZED USE OR REPRODUCTION IN WHOLE OR IN PART IS STRICTLY FORBIDDEN.			

NOTES