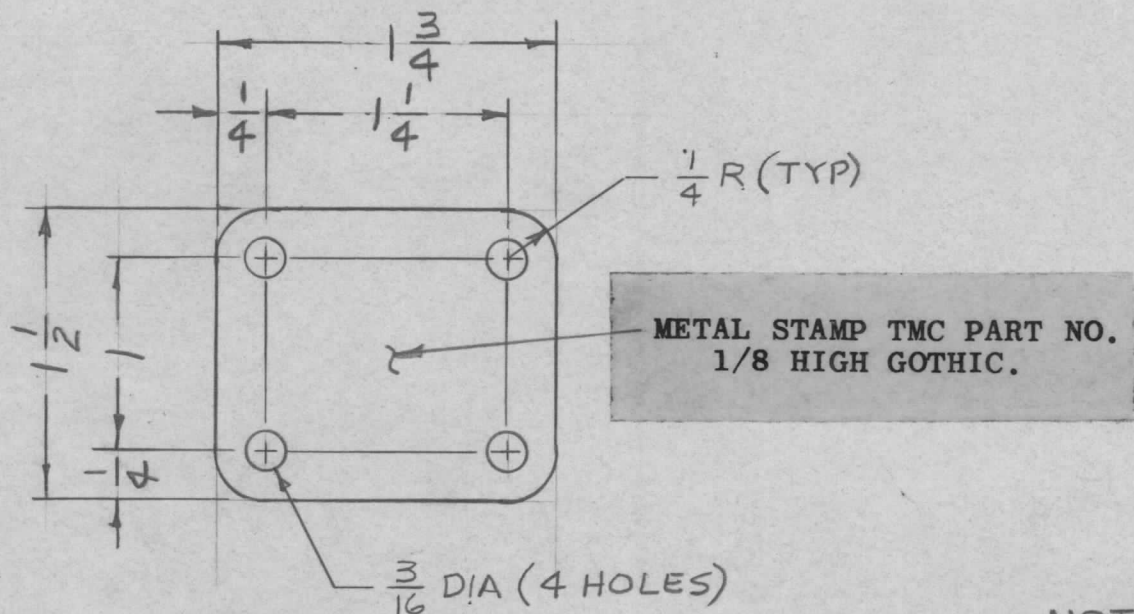


REQ. PER UNIT	USED ON			MS-3534 0
	MODEL	ASS'Y. NO.	DATE	
1	GPT 200K	AX-395	10-17-63	



NOTES: REMOVE ALL BURRS & SHARP EDGES

REQ.	ITEM	PART NO.	DESCRIPTION				SYMBOL	
		.031 THICK	THE TECHNICAL MATERIEL CORP. MAMARONECK, NEW YORK				0	
		STOCK SIZE						
		COPPER	PLATE, CONDUCTOR					
0	ORIGINAL RELEASE	5.18.64		WB				
SYM	DESCRIPTION	DATE	CH. NO.	DRAFTS	CHECKER	ENG. APP.	MATERIAL	
UNLESS OTHERWISE SPECIFIED DIMENSIONS ARE IN INCHES AND INCLUDE CHEMICALLY APPLIED OR PLATED FINISHES		SCALE	1 = 1					A TURS I
								aa
								RJC
								drawn
								checked
								FINAL APPROVAL
DECIMALS .X ± .05 .XX ± .01 .XXX ± .005	TOLERANCES	FRACTIONS ± 1/64 ANGLES ± 0° 30'	CODE	S-245 SILVER PLATE BRIGHT				OB
								ELEC. DES. APP.
								MECH. DES. APP.
								MS-3534 0