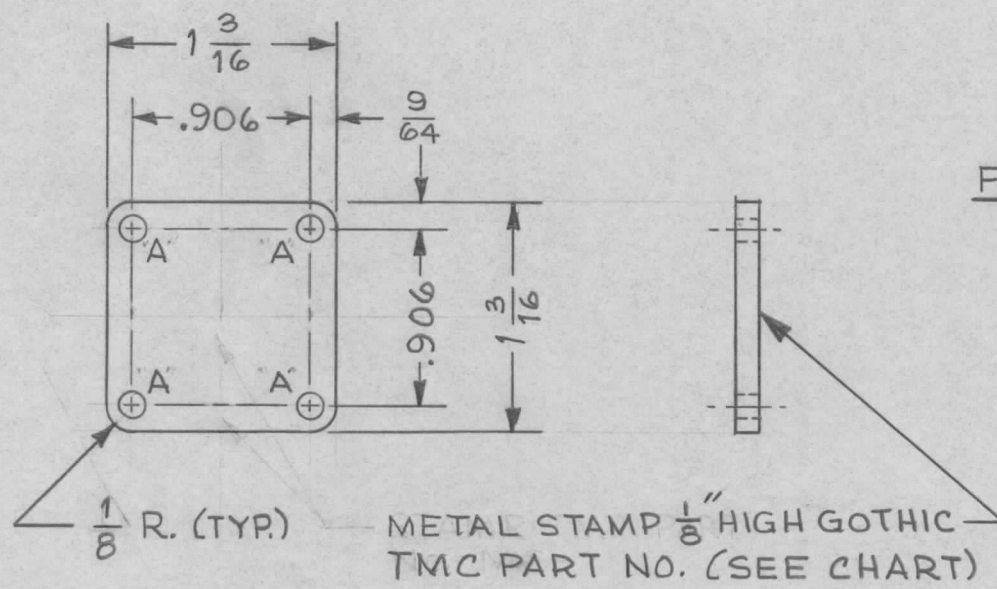


TMC PART NO.	"A" HOLE	REQ. PER UNIT	USED ON			MS-3528
			MODEL	ASS'Y. NO.	DATE	
MS-3528 -1	1/8 DIA.		JPP-HX55D0B8		9-26-63	
MS-3528 -2	6-32 DRILL & TAP					



FINISH NOTES:

- 1- S404 IRIDITE
- 2- FRONT & EDGES ONLY:
 - (A) S114 ZINC CHROMATE PRIMER
 - (B) S115 TMC SMOOTH GRAY ENAMEL OR PRIME & PAINT TO CUST. SPEC.

FRONT VIEW
FRONT VIEW

SYM	DESCRIPTION	DATE	CH. NO.	DRAFTS	CHECKER	ENG. APP.	REQ. ITEM	PART NO.	MARTINENGO DESCRIPTION	SYMBOL
							1/8		THE TECHNICAL MATERIEL CORP. MAMARONECK, NEW YORK	
							ALUMINUM		COVER BLANK	
									13/16 SQ	
							2024-T3		M TANTILLO 9-26-63	
							SEE NOTES		9-30-63	
							FINISH & SPEC. NO.		BP	MS-3528

UNLESS OTHERWISE SPECIFIED
DIMENSIONS ARE IN INCHES AND INCLUDE
CHEMICALLY APPLIED OR PLATED FINISHES

DECIMALS
.X ± .05
.XX ± .01
.XXX ± .005

FRACTIONS
± 1/64
ANGLES
± 0° 30'

TOLERANCES

SCALE

CODE

TYPE & TEMPER

HEAT TREAT. SPEC.

DRAWN

CHECKED

FINAL APPROVAL

ELEC. DES. APP.

MECH. DES. APP.