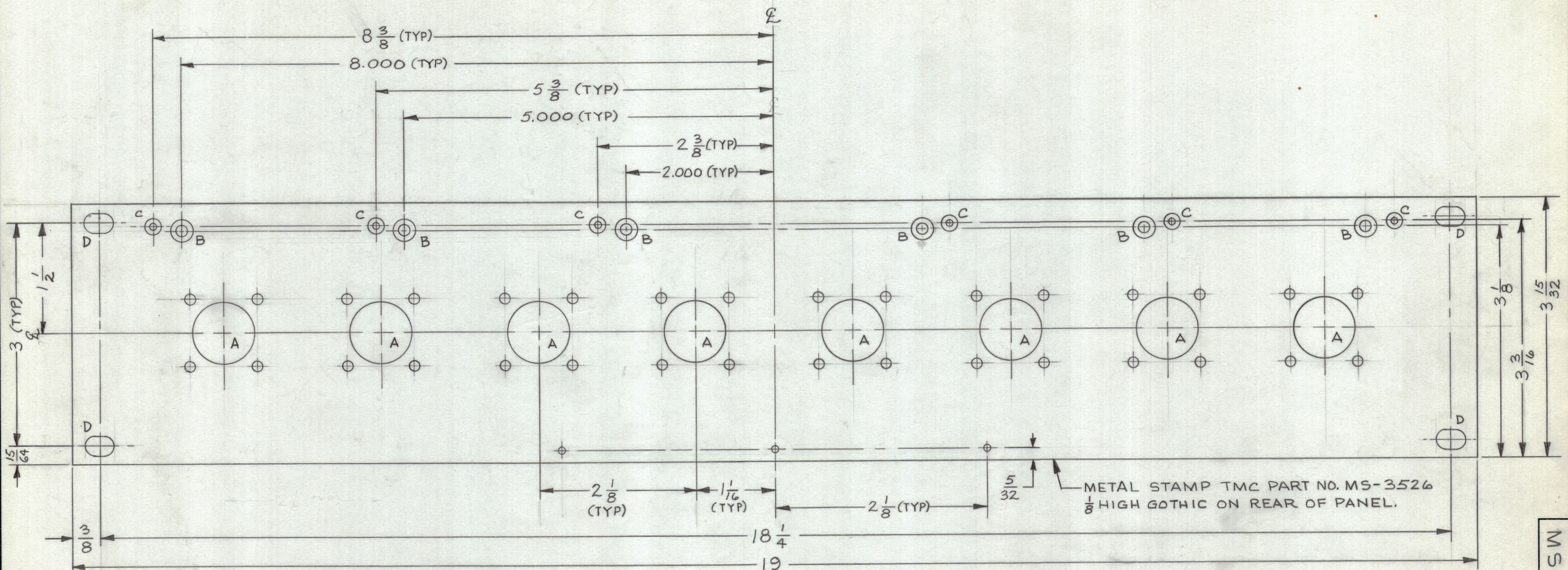
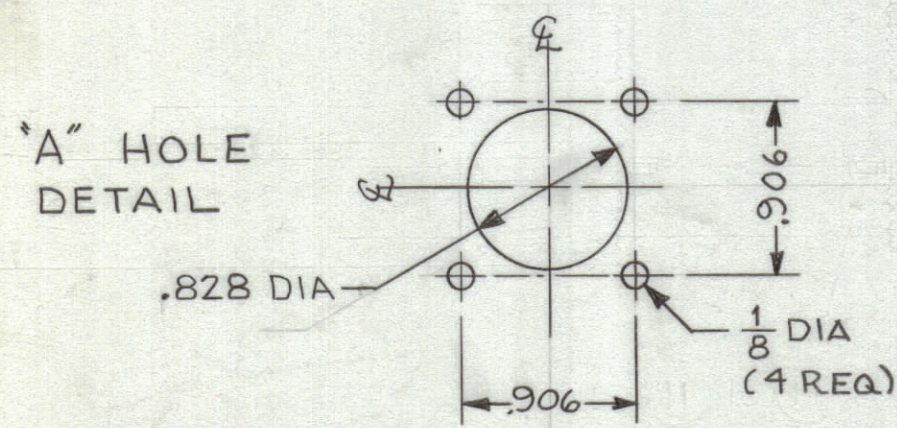


REVISIONS							
ZONE	SYM	DESCRIPTION	DATE	E.M.N. NO.	DRAFT	CHKD	APPD



FRONT OF PANEL SHOWN

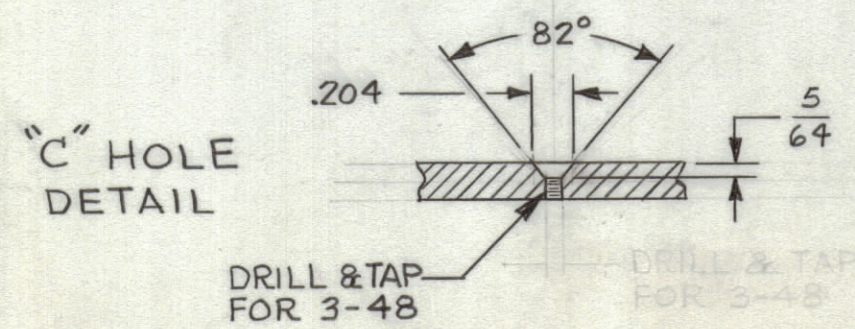
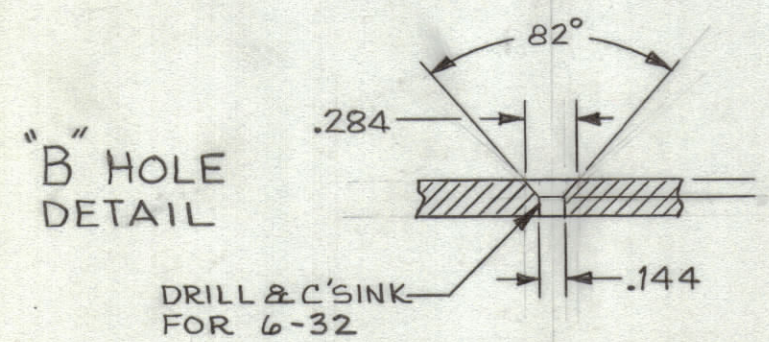


- HOLE LEGEND**
- A - SEE DETAIL - 8 REQ.
 - B - SEE DETAIL - 6 REQ.
 - C - SEE DETAIL - 6 REQ.
 - D - 13/32 X 1/4 SLOT - 4 REQ.
 - E - 5/64 - 3 REQ.

NOTE: FINISH

- S404 - YELLOW IRIDITE
- S114 - ZINC CHROMATE PRIMER
- S115 - SMOOTH GRAY ENAMEL

PAINT FRONT & EDGES ONLY, OR
PRIME & PAINT TO CUSTOMERS
SPECIFICATION.



NOTES

Q'TY./UNIT	JPP-888X8	ASS'Y. NO.
SCALE	MODEL USED ON	CODE

THE CONTENTS OF THIS DRAWING ARE THE EXCLUSIVE PROPERTY OF THE TECHNICAL MATERIEL CORP. ITS UNAUTHORIZED USE OR REPRODUCTION IN WHOLE OR IN PART IS STRICTLY FORBIDDEN.

REQ'D.	ITEM	PART NUMBER	DESCRIPTION	SYMBOL
MARTINENGO LIST OF MATERIAL				
MATERIAL		3/16 ALUMINUM	THE TECHNICAL MATERIEL CORP. MAMARONECK, NEW YORK	
TYPE & TEMPER		5052-H32		
FINISH		SEE NOTE	TITLE PANEL, FRONT, MACHINING JPP	
DRAWN	M. TANTILLO	DATE	9-24-63	FINAL APPROVAL
CHECKED	<i>[Signature]</i>	DATE	9/25/63	<i>[Signature]</i>
ELECT. DES.		DATE		
MECH. DES.		DATE		
DECIMALS	TOLERANCES		FRACTIONS	
.X ± .05	± 1/64		± 1/64	
.XX ± .01	± 0° 30'		± 0° 30'	
.XXX ± .005			± 0° 30'	
SHEET			REV. LTR.	
MS-3526				

MS-3526