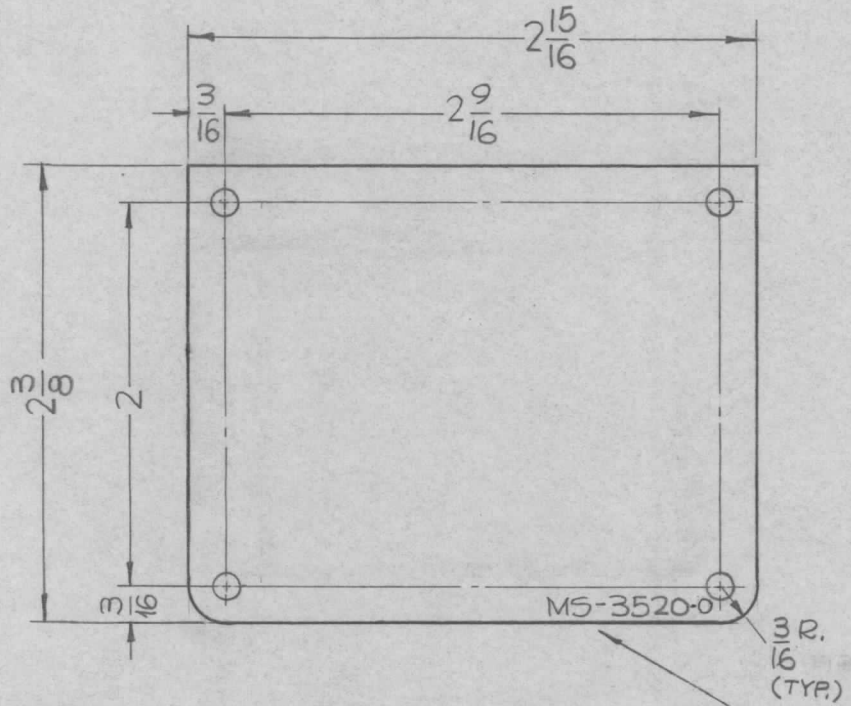


REQ. PER UNIT	USED ON		
	MODEL	ASS'Y. NO.	DATE
2	GPT-200K (AX-395)	A-3232	10-1-63
2	GPT-200K (AX-395)	A-3233	10-1-63
2	GPT-200K (AX-395)	A-3262	10-1-63

MS-3520 0



HOLES:
1/8 DIA. (4 REQ.)

**METAL STAMP TMC PART NO.
1/8 HIGH GOTHIC.**

SYM	DESCRIPTION	DATE	CH. NO.	DRAFTS	CHECKER	ENG. APP.	REQ. ITEM	PART NO.	F. BUDETTI	DESCRIPTION	SYMBOL	
							.031 THICK			THE TECHNICAL MATERIEL CORP. MAMARONECK, NEW YORK		
							STOCK SIZE					
○	ORIGINAL RELEASE FOR PRODUCTION						ALUMINUM				PLATE SIDES, BOX RIGHT & DRIVE	
	UNLESS OTHERWISE SPECIFIED DIMENSIONS ARE IN INCHES AND INCLUDE CHEMICALLY APPLIED OR PLATED FINISHES	SCALE	1" = 1"					5052-H32		SRG	aa gcb	RC 3-30-64
							TYPE & TEMPER	HEAT TREAT. SPEC.	DRAWN	CHECKED	FINAL APPROVAL	
DECIMALS .X ± .05 .XX ± .01 .XXX ± .005	TOLERANCES	FRACTIONS ± 1/64 ANGLES ± 0° 30'	CODE					S404 YELLOW IRIDITE		Q RLB	2/16/64	MS-3520 0
							FINISH & SPEC. NO.		ELEC. DES. APP.	MECH. DES. APP.		