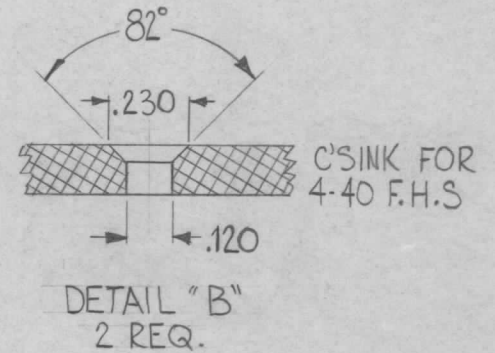
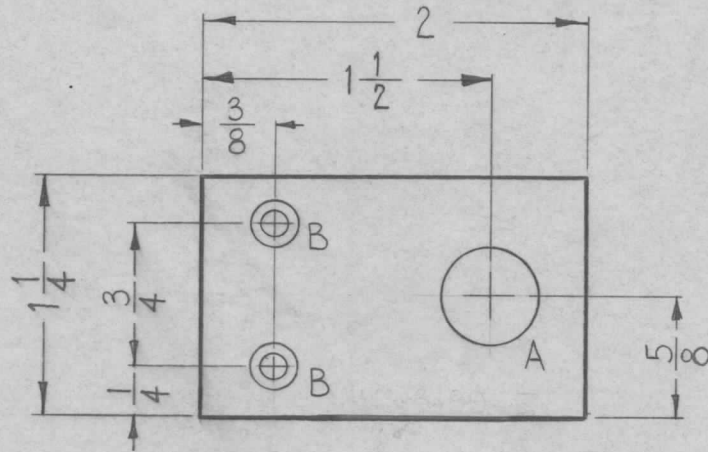


REQ. PER UNIT	USED ON			MS-3499	A
	MODEL	ASS'Y. NO.	DATE		
1	GPT-200K	AX-397	9-14-63		
1	GPT-10K	AX-504	5-15-64		

HOLE	DESCRIPTION	REQ.
A	1/2 DIA.	1



METAL STAMP THIS PART  
 IN B-HIGH GOTHIC AS SHOWN  
 WITH LATEST REVISION  
 LETTER

LD-1539 (1) AX504  
 REF: LD-1298 (1) AX397

SYM	DESCRIPTION	DATE	CH. NO.	DRAFTS	CHECKER	ENG. APP.	REQ. ITEM	PART NO.	F. BUDETTI	DESCRIPTION	SYMBOL
A	CLERICAL CHANGE	1-14-65	#	R.L.	@		.064			THE TECHNICAL MATERIEL CORP. MAMARONECK, NEW YORK	PLATE, RF FILTER MOUNTING
O	ORIGINAL RELEASE FOR PRODUCTION	5/27/64	O	A.M.			ALUMINUM				
UNLESS OTHERWISE SPECIFIED DIMENSIONS ARE IN INCHES AND INCLUDE CHEMICALLY APPLIED OR PLATED FINISHES							SCALE				
							5052-H32		W.A. FRANCO		
							TYPE & TEMPER HEAT TREAT. SPEC.		DRAWN CHECKED FINAL APPROVAL		
DECIMALS .X ± .05 .XX ± .01 .XXX ± .005							S404 YELLOW TRIDITE		2 B		
FRACTIONS ± 1/64 ANGLES ± 0° 30'							FINISH & SPEC. NO.		ELEC. DES. APP. MECH. DES. APP.		
TOLERANCES							CODE		MS-3499		
							A		A		