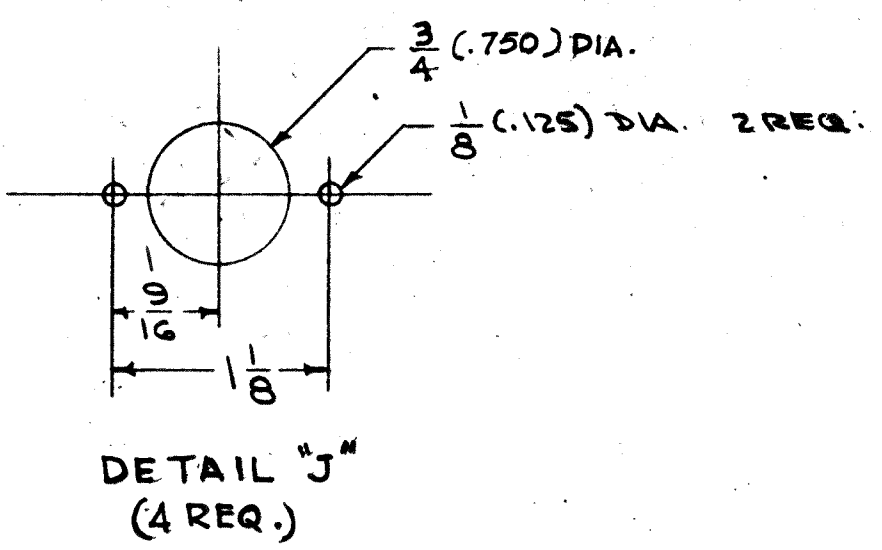


IF IT IS FOUND DESIRABLE TO CHANGE ANY TOLERANCE OR OTHER DETAIL SPECIFIED ON THIS DRAWING NOTIFY THE PURCHASER PROMPTLY.
 MAXIMUM ALLOWABLE TOLERANCES HAVE BEEN DETERMINED AND DEVIATIONS WILL BE CAUSE FOR REJECTION. REMOVE ALL BURRS AND SHARP EDGES.

METAL STRAP THE PART NO. 1/8 HIGH GOTHIC.

LEGEND		
HOLE	DESCRIPTION	REQ.
A	5/32 DIA.	26
B	11/64 DIA.	13
C	7/32 DIA.	12
D	1/4 DIA.	1
E	3/8 DIA.	1
F	5/32 x 5/16 SLOT	3
G	11/64 x 11/32 SLOT	12
J	SEE DETAIL	4
H	53/64 DIA.	2



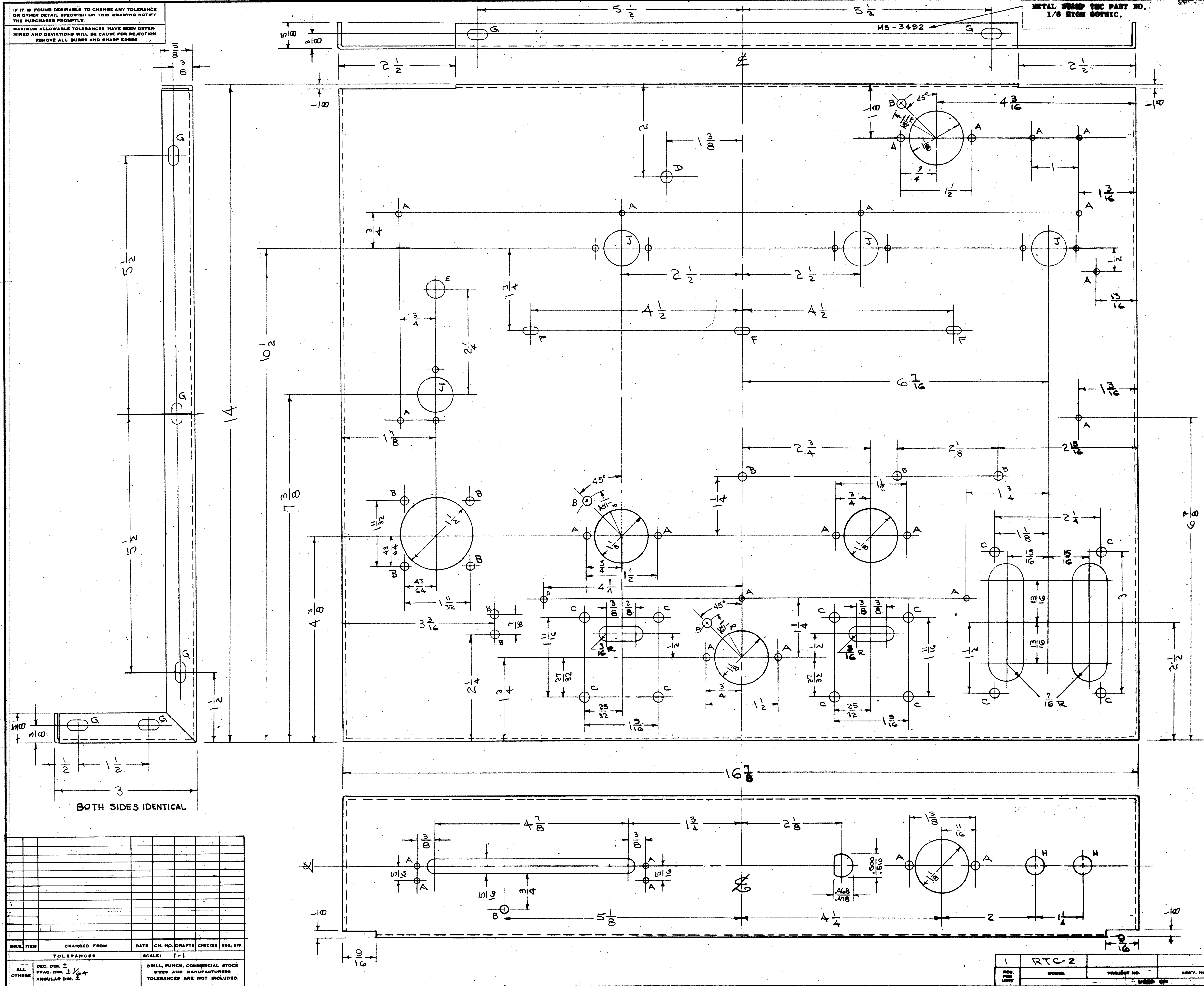
- UNLESS OTHERWISE SPECIFIED:
1. USE MATERIAL THICKNESS FOR MAXIMUM RADIUS ON ALL BENDS.
 2. ALL ANGULAR BENDS 90°.
 3. REMOVE ALL BURRS AND SHARP EDGES.

NOTE TO PERSONS RECEIVING THIS DRAWING
 THE TECHNICAL MATERIEL CORPORATION claims proprietary right in the material disclosed herein. This drawing is issued in confidence for engineering information only and may not be reproduced or used to manufacture anything shown herein without permission from THE TECHNICAL MATERIEL CORPORATION to the user. This drawing is loaned for mutual assistance and is subject to recall at any time.
 Property of:
 THE TECHNICAL MATERIEL CORPORATION
 MAMARONECK, NEW YORK

REF. LD-1357

REQ. ITEM	PART NO.	DESCRIPTION	SYMBOL
064		THE TECHNICAL MATERIEL CORP. MAMARONECK, NEW YORK	
ALUMINUM		MAIN CHASSIS	
5032-432		RTC-2	
		G.D.L.	
		DRAWN	
		CHECKED	
		DATE	
		DATE	
		DATE	

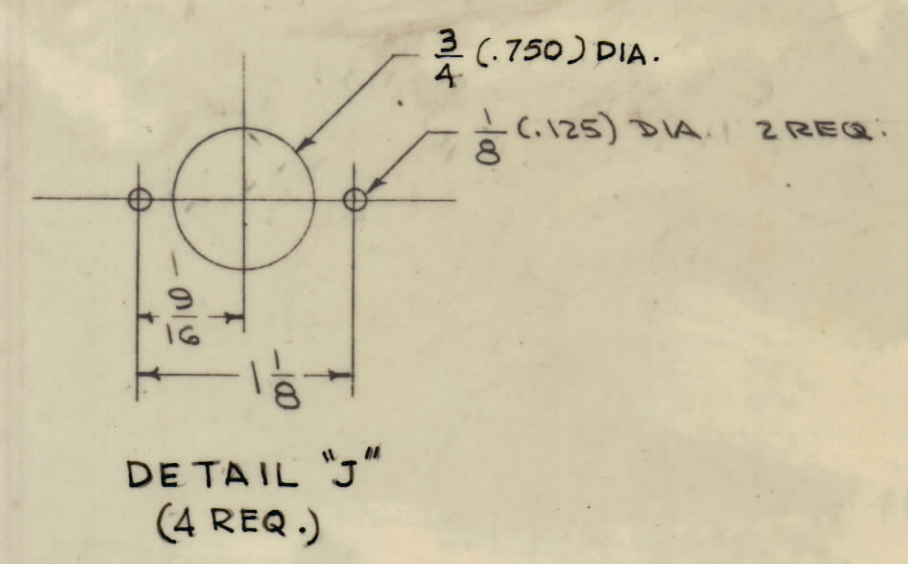
MS-3492



IF IT IS FOUND DESIRABLE TO CHANGE ANY TOLERANCE OR OTHER DETAIL SPECIFIED ON THIS DRAWING NOTIFY THE PURCHASER PROMPTLY.
MAXIMUM ALLOWABLE TOLERANCES HAVE BEEN DETERMINED AND DEVIATIONS WILL BE CAUSE FOR REJECTION. REMOVE ALL BURRS AND SHARP EDGES.

METAL STAMP TMC PART NO. 1/8 HIGH GOTHIC.

LEGEND		
HOLE	DESCRIPTION	REQ.
A	5/32 DIA.	26
B	11/64 DIA.	13
C	7/32 DIA.	12
D	1/4 DIA.	1
E	3/8 DIA.	1
F	5/32 x 5/16 SLOT	3
G	11/64 x 11/32 SLOT	12
J	SEE DETAIL	4
H	33/64 DIA.	2



- UNLESS OTHERWISE SPECIFIED:
1. USE MATERIAL THICKNESS FOR MAXIMUM RADIUS ON ALL BENDS.
 2. ALL ANGULAR BENDS 90°.
 3. REMOVE ALL BURRS AND SHARP EDGES.

NOTICE TO PERSONS RECEIVING THIS DRAWING
THE TECHNICAL MATERIEL CORPORATION claims proprietary right in the material disclosed hereon. This drawing is issued in confidence for engineering information only and may not be reproduced or used to manufacture anything shown hereon without permission from THE TECHNICAL MATERIEL CORPORATION to the user. This drawing is loaned for mutual assistance and is subject to recall at any time.

Property of:
THE TECHNICAL MATERIEL CORPORATION
MAMARONECK, NEW YORK

REF. LD-1357

REQ. ITEM	PART NO.	DESCRIPTION	SYMBOL
.064		THE TECHNICAL MATERIEL CORP. MAMARONECK, NEW YORK	
ALUMINUM		MAIN CHASSIS	
MATERIAL	WEIGHT PER PC	RTC-2	
5032-H32			
TYPE & TEMPER	G.D.L.		
DRAWN	ELEC. DES. APP.	MECH. DES. APP.	
CHECKED			
HEAT TREAT. SPEC.			
5404-TRIDITE 14-2 AL-COAT			
FINISH & SPEC. NO.			

REQ. PER UNIT	MODEL	PROJECT NO.	ASSEY. NO.	DATE
1	RTC-2			9-16-63

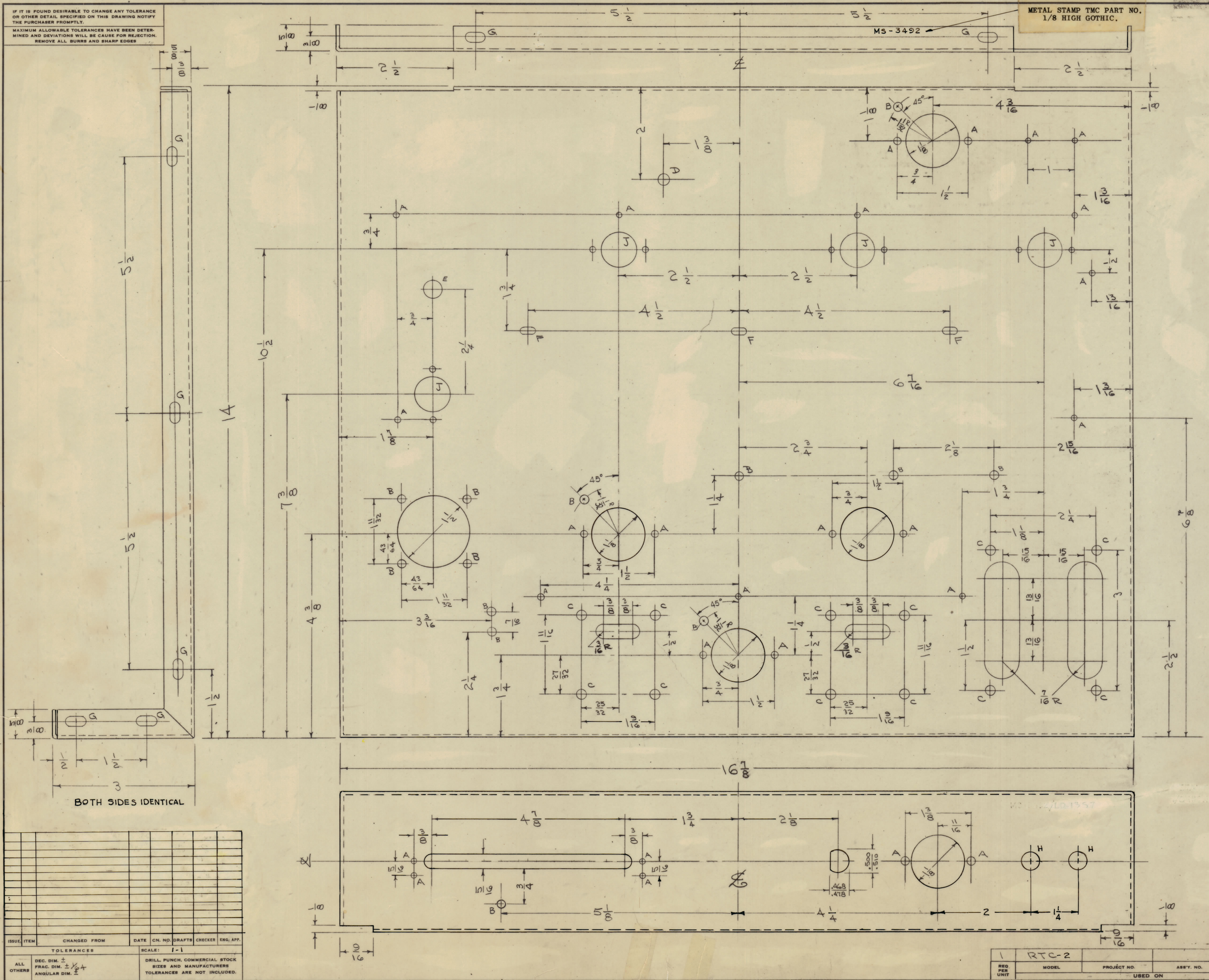
ISSUE ITEM	CHANGED FROM	DATE	CH. NO.	DRAFTS	CHECKER	ENG. APP.

SCALE: 1-1

TOLERANCES

ALL DEC. DIM. ±
OTHERS FRACTIONAL DIM. ±
ANGULAR DIM. ±

DRILL, PUNCH, COMMERCIAL STOCK SIZES AND MANUFACTURERS TOLERANCES ARE NOT INCLUDED.



MS-3492