

THE CONTENTS OF THIS DRAWING ARE THE EXCLUSIVE PROPERTY OF THE TECHNICAL MATERIEL CORP. ITS UNAUTHORIZED USE FOR REPRODUCTION IN WHOLE OR IN PART IS STRICTLY FORBIDDEN.

REQ. PER UNIT

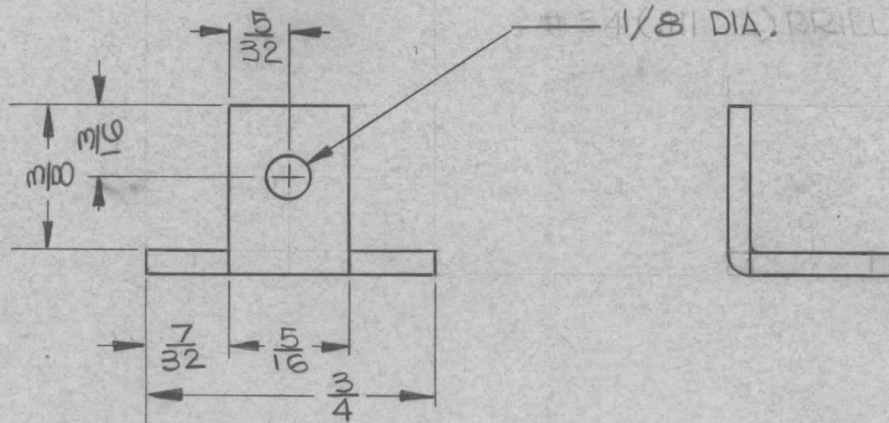
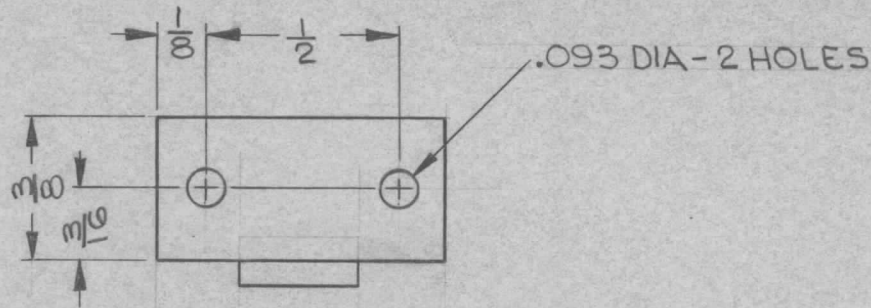
USED ON

MODEL
GDR-92

ASS'Y. NO.

DATE
6-18-63

MS-3437



~ NOTE ~

- UNLESS OTHERWISE SPECIFIED:
- 1. USE MATERIAL THICKNESS FOR MAX BEND RADIUS.
- 2. ALL BENDS 90°.

REQ.	ITEM	PART NO.	STRUHER DESCRIPTION			SYMBOL
		.064	THE TECHNICAL MATERIEL CORP.			
		STOCK SIZE	MAMARONECK, NEW YORK			
		ALUMINUM	BRACKET - MTG. BR			
		MATERIAL				
SYM	DESCRIPTION	DATE	CH. NO.	DRAFTS	CHECKER	ENG. APP.
UNLESS OTHERWISE SPECIFIED DIMENSIONS ARE IN INCHES AND INCLUDE CHEMICALLY APPLIED OR PLATED FINISHES		SCALE	2:1			
DECIMALS .X ± .05 .XX ± .01 .XXX ± .005	TOLERANCES	FRACTIONS ± 1/64 ANGLES ± 0° 30'	CODE			
		5052-H32	H32	R Chvank	6-18-63	7/8/63
		TYPE & TEMPER	HEAT TREAT. SPEC.	DRAWN	CHECKED	FINAL APPROVAL
		S404-YELLOW IRIDITE		JMA	MP	7/8/63
		FINISH & SPEC. NO.	ELEC. DES. APP.	MECH. DES. APP.	MS-3437	