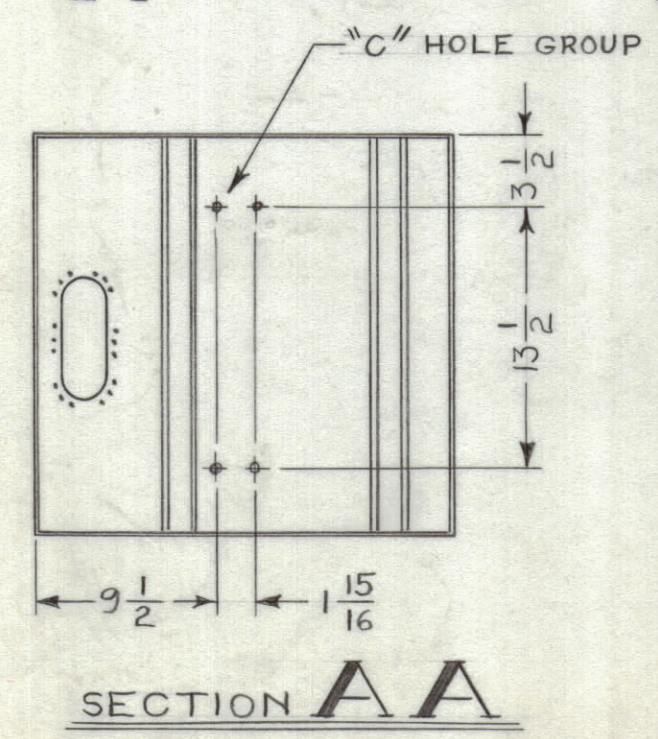
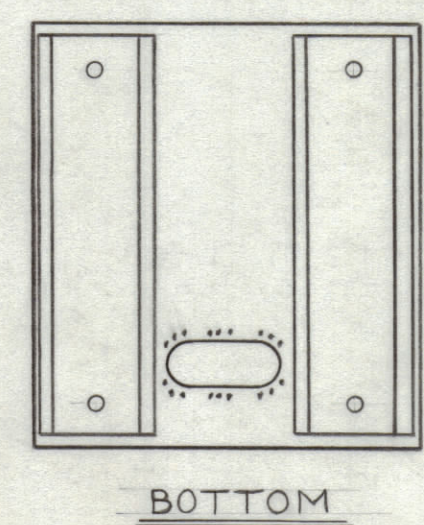
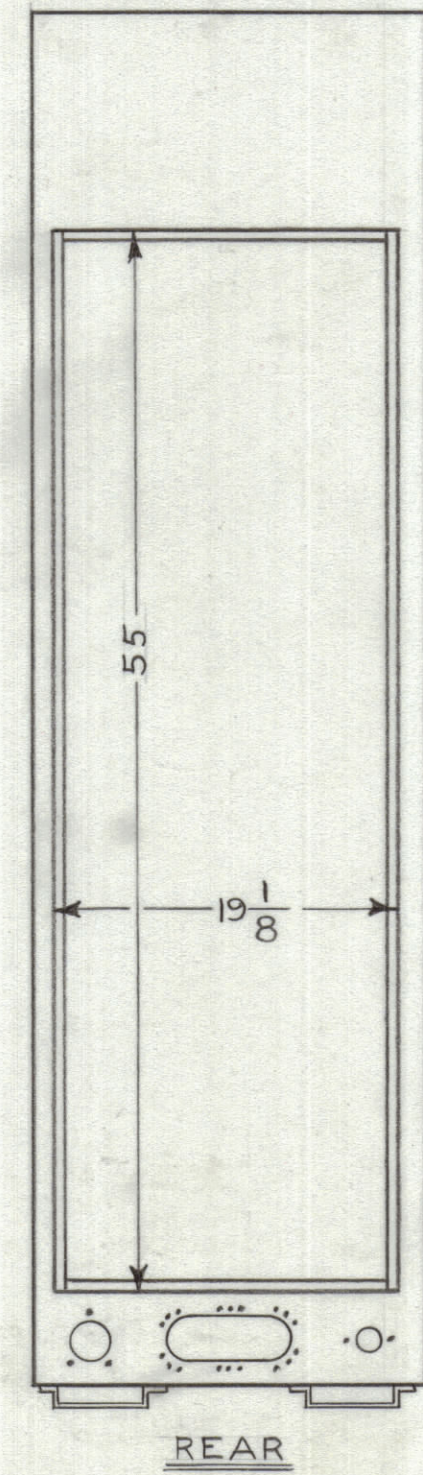
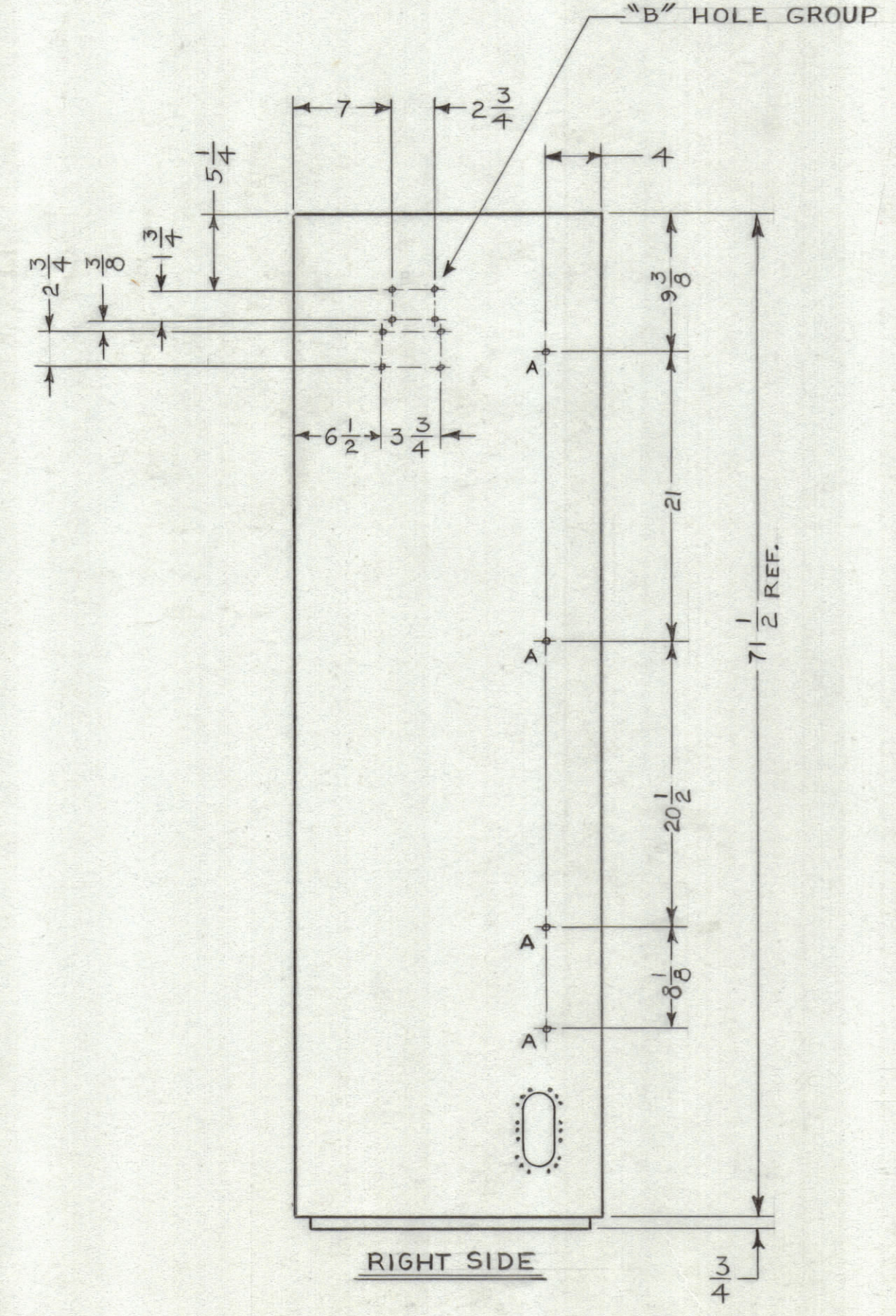
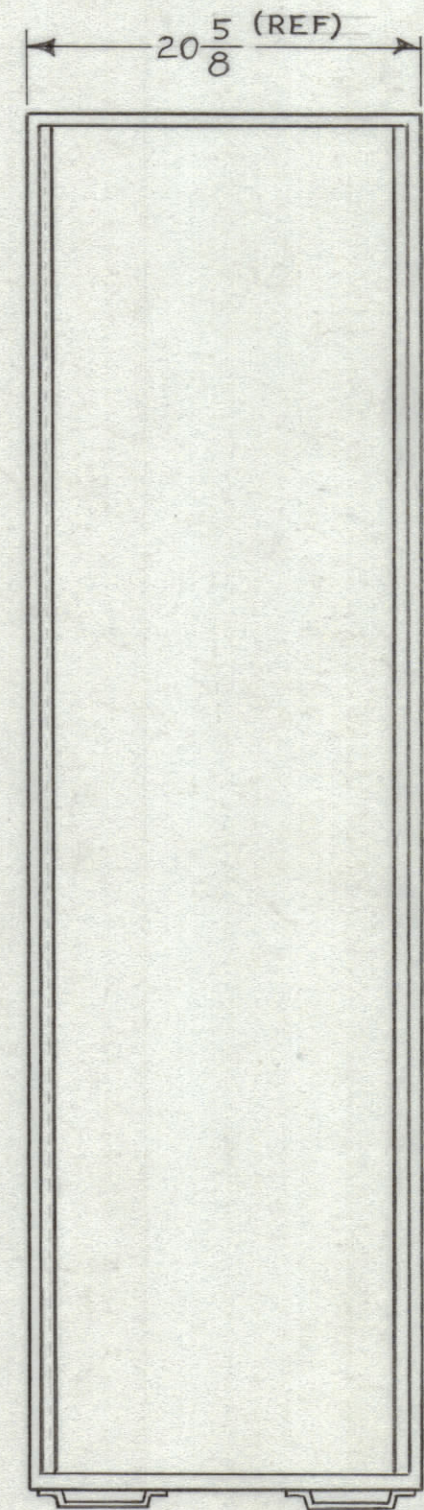
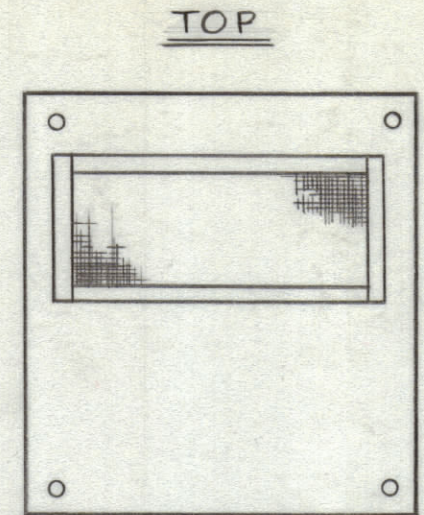


REVISIONS						
ZONE	SYM	DESCRIPTION	DATE	E.M.N. NO.	DRAFT	CHKD APPD



HOLE LEGEND		
HOLE	DESCRIPTION	REQ'D.
A	3/16 DIA	4
B	#47 DR (.079)	8
C	#21 DR TAP 10-32	4

REF: MS-2513 (REAR DOOR)
REF: MS-2509 (RACK BASIC) 5 SHEETS

REQ'D.	ITEM	PART NUMBER	DESCRIPTION	SYMBOL
I. JOHNSON LIST OF MATERIAL				
MATERIAL		THE TECHNICAL MATERIEL CORP. MAMARONECK, NEW YORK		
FINISH		TITLE MODIFICATION FOR RAK-31A		
UNLESS OTHERWISE SPECIFIED DIMENSIONS ARE IN INCHES AND INCLUDE CHEMICALLY APPLIED OR PLATED FINISHES	DRAWN <i>No. 10/30/63</i>	DATE 9/30/63	FINAL APPROVAL <i>BP</i>	DATE
DECIMALS .X ± .05 .XX ± .01 .XXX ± .005	TOLERANCES	FRACTIONS ± 1/64 ANGLES ± 0° 30'	ELECT. DES. <i>BP</i>	DATE 10/1/63
			MECH. DES. <i>BP</i>	DATE 10/1/63
			SHEET	REV. LTR.

1		DDR-8A		ASS'Y. NO.	
Q'TY./UNIT	MODEL USED ON	SCALE	CODE	DATE	REV.

NOTES

THE CONTENTS OF THIS DRAWING ARE THE EXCLUSIVE PROPERTY OF THE TECHNICAL MATERIEL CORP. ITS UNAUTHORIZED USE OR REPRODUCTION IN WHOLE OR IN PART IS STRICTLY FORBIDDEN.

MS-3436