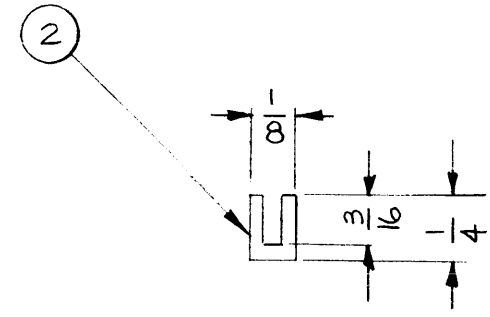


REVISIONS

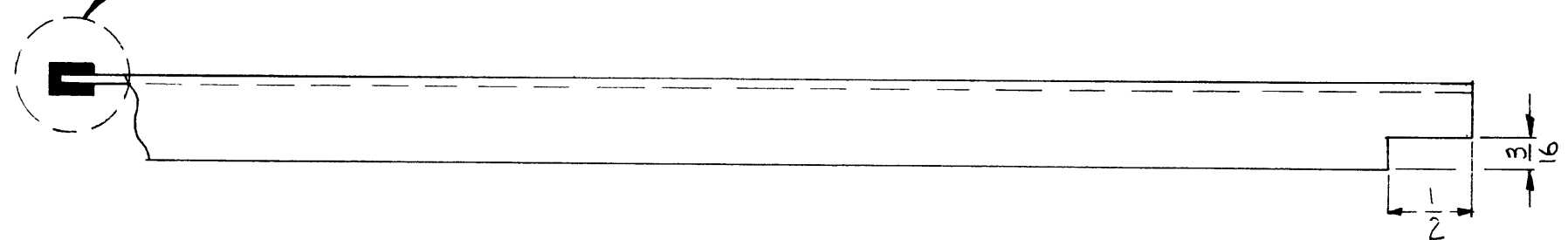
SYM	DESCRIPTION	DATE	E.M.N. NO.	DRAFT	CHKD	APPD
-----	-------------	------	------------	-------	------	------

MS-3391



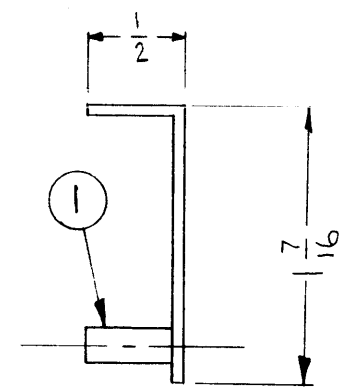
1 3/8 LG. TO BE APPLIED AS SHOWN AFTER FINISH

SEE DETAIL "A"



3/16 DIA ~ 2 HOLES

METAL STAMP TMC PART NO. 1/8 HIGH GOTHIC.



MS-3391

REQ'D.	ITEM	PART NUMBER	DESCRIPTION	SYMBOL
1	2	RY-140-1	GASKET, BLACK NEOPRENE	
2	1	TE-108-11	STANDOFF, SWAGE TYPE	

JORDAN LIST OF MATERIAL E3037-85

MATERIAL .051 THK. ALUM.	THE TECHNICAL MATERIEL CORP. MAMARONECK, NEW YORK		
FINISH S 404 YELLOW IRIDITE	TITLE DUCT, CABLE ~ RIGHT		

1	TTR-10	AX-418
Q'TY./UNIT	MODEL USED ON	ASS'Y. NO.
SCALE	CODE	
#	A	

THE CONTENTS OF THIS DRAWING ARE THE EXCLUSIVE PROPERTY OF THE TECHNICAL MATERIEL CORP. ITS UNAUTHORIZED USE OR REPRODUCTION IN WHOLE OR IN PART IS STRICTLY FORBIDDEN.

UNLESS OTHERWISE SPECIFIED DIMENSIONS ARE IN INCHES AND INCLUDE CHEMICALLY APPLIED OR PLATED FINISHES	DRAWN <i>[Signature]</i>	DATE 5-25-63	FINAL APPROVAL <i>[Signature]</i>	DATE
	CHECKED <i>[Signature]</i>	DATE 5-25-63		
DECIMALS .X ± .05 .XX ± .01 .XXX ± .005	TOLERANCES	FRACTIONS ± 1/64 ANGLES ± 0° 30'	ELECT. DES. R KOHN	DATE 1-16-64
			MECH. DES. W. JORDAN	DATE 1/16/64

- AFTER FINISHING.
1. USE MAT'L THICKNESS FOR MAX. RADIUS ON BEND.
  2. BEND 90°.
  3. REMOVE ALL BURRS & SHARP EDGES.
  4. MOUNT ITEM #1 AS SHOWN

NOTES

MS-3391