

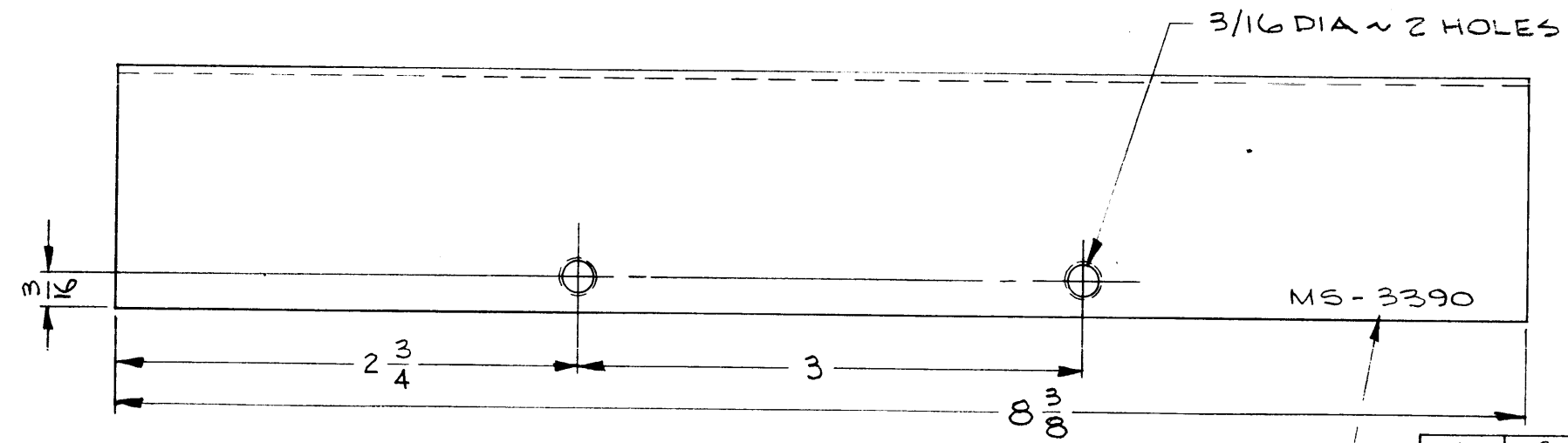
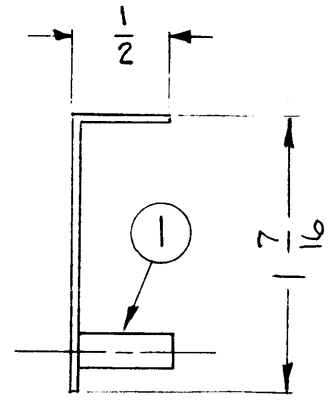
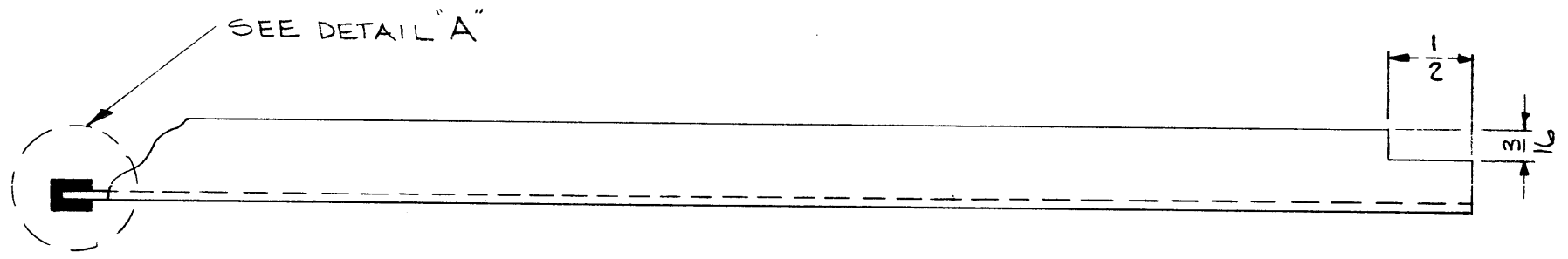
MS-3390

REVISIONS

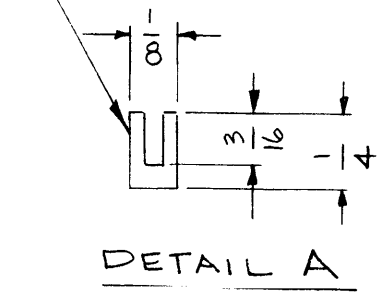
| SYM | DESCRIPTION | DATE | E.M.N. NO. | DRAFT | CHKD | APPD |
|-----|-------------|------|------------|-------|------|------|
|-----|-------------|------|------------|-------|------|------|

NOTES:

1. USE MAT'L THICKNESS FOR MAX. RADIUS ON ALL BENDS.
2. BEND 90°
3. MOUNT ITEM # 1 AS SHOWN AFTER FINISHING.



2 1 3/8 LG. TO BE APPLIED AS SHOWN AFTER FINISH



METAL STAMP TMC PART NO. 1/8 HIGH GOTHIC

| REQ'D. | ITEM | PART NUMBER | DESCRIPTION | SYMBOL |
|--------|------|-------------|------------------------|--------|
| 1 | 2 | RY-140-1 | GASKET, BLACK NEOPRENE | |
| 2 | 1 | TE-108-11 | STANDOFF, SWAGE TYPE | |

JORDAN LIST OF MATERIAL E 3037-84

MATERIAL .051 THK ALUMINUM 5052-H32
 FINISH S404 YELLOW IRIDITE
 TITLE THE TECHNICAL MATERIEL CORP. MAMARONECK, NEW YORK
 DUCT, CABLE - LEFT

| Q'TY./UNIT | MODEL USED ON | ASS'Y. NO. |
|------------|---------------|------------|
| 1 | TTR-10 | AX-418 |
| SCALE | CODE | |
| | A | |

| UNLESS OTHERWISE SPECIFIED DIMENSIONS ARE IN INCHES AND INCLUDE CHEMICALLY APPLIED OR PLATED FINISHES | | DRAWN | DATE | FINAL APPROVAL | DATE |
|---|------------|-----------|---------|----------------|------|
| DECIMALS | TOLERANCES | W. JORDAN | 5-24-63 | | |
| .X ± .05 | | | 5-25-63 | | |
| .XX ± .01 | | | 1-16-64 | | |
| .XXX ± .005 | | | 1/16/64 | | |
| FRACTIONS | ANGLES | | | | |
| ± 1/64 | | | | | |
| ± 0° 30' | | | | | |

THE CONTENTS OF THIS DRAWING ARE THE EXCLUSIVE PROPERTY OF THE TECHNICAL MATERIEL CORP. ITS UNAUTHORIZED USE OR REPRODUCTION IN WHOLE OR IN PART IS STRICTLY FORBIDDEN.

NOTES

MS-3390