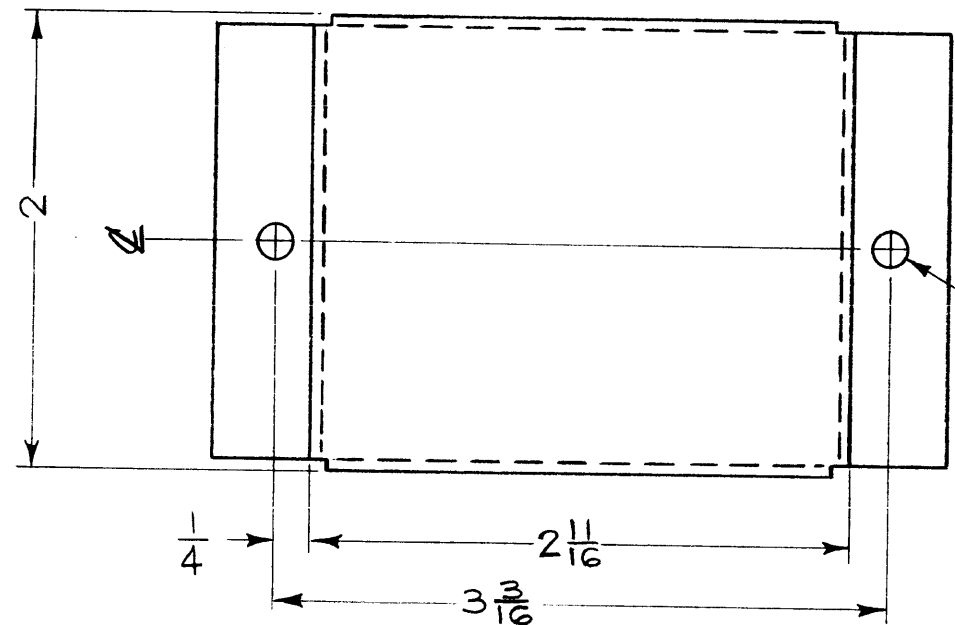
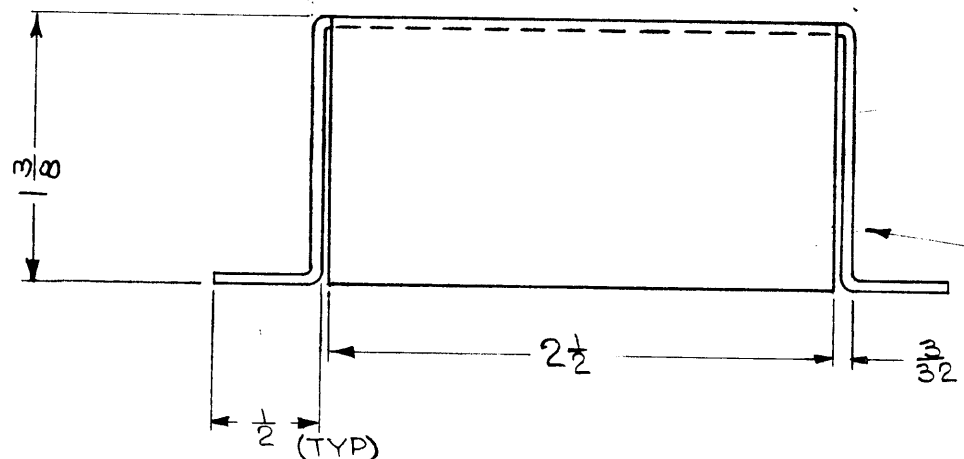


MS-3367



$\frac{11}{64}$ DIA. - 2 HOLES

~ UNLESS OTHERWISE SPECIFIED ~
 1~ USE MATERIAL THICKNESS FOR MAX. RADIUS ON ALL BENDS.
 2~ ALL BENDS 90°.



METAL STAMP TMC PART NO. $\frac{1}{8}$ HIGH GOTHIC ON SIDE.

REF: LD - 1317

REQ'D.	ITEM	PART NUMBER	DESCRIPTION	SYMBOL
O. POSE LIST OF MATERIAL				
MATERIAL .064 THK 5052 H32 ALUMINUM			THE TECHNICAL MATERIEL CORP. MAMARONECK, NEW YORK	
FINISH S404-YELLOW IRIDITE			TITLE COVER, DIODE BOARD	
UNLESS OTHERWISE SPECIFIED DIMENSIONS ARE IN INCHES AND INCLUDE CHEMICALLY APPLIED OR PLATED FINISHES		DRAWN <i>[Signature]</i> DATE 5-2-63	FINAL APPROVAL <i>[Signature]</i> DATE 6-11-63	DATE 6-11-63
DECIMALS .X ± .05 .XX ± .01 .XXX ± .005		TOLERANCES	ELECT. DES. <i>[Signature]</i> DATE	
		FRACTI NS ± 1/64 ANGLES ± 0° 30'	MS-3367	
			SHEET	REV. LTR.

1	LFA-4	A-3178
QTY./UNIT	MODEL USED ON	ASS'Y. NO.
SCALE 1:1	CODE	

NOTES

THE CONTENTS OF THIS DRAWING ARE THE EXCLUSIVE PROPERTY OF THE TECHNICAL MATERIEL CORP. ITS UNAUTHORIZED USE OR REPRODUCTION IN WHOLE OR IN PART IS STRICTLY FORBIDDEN.