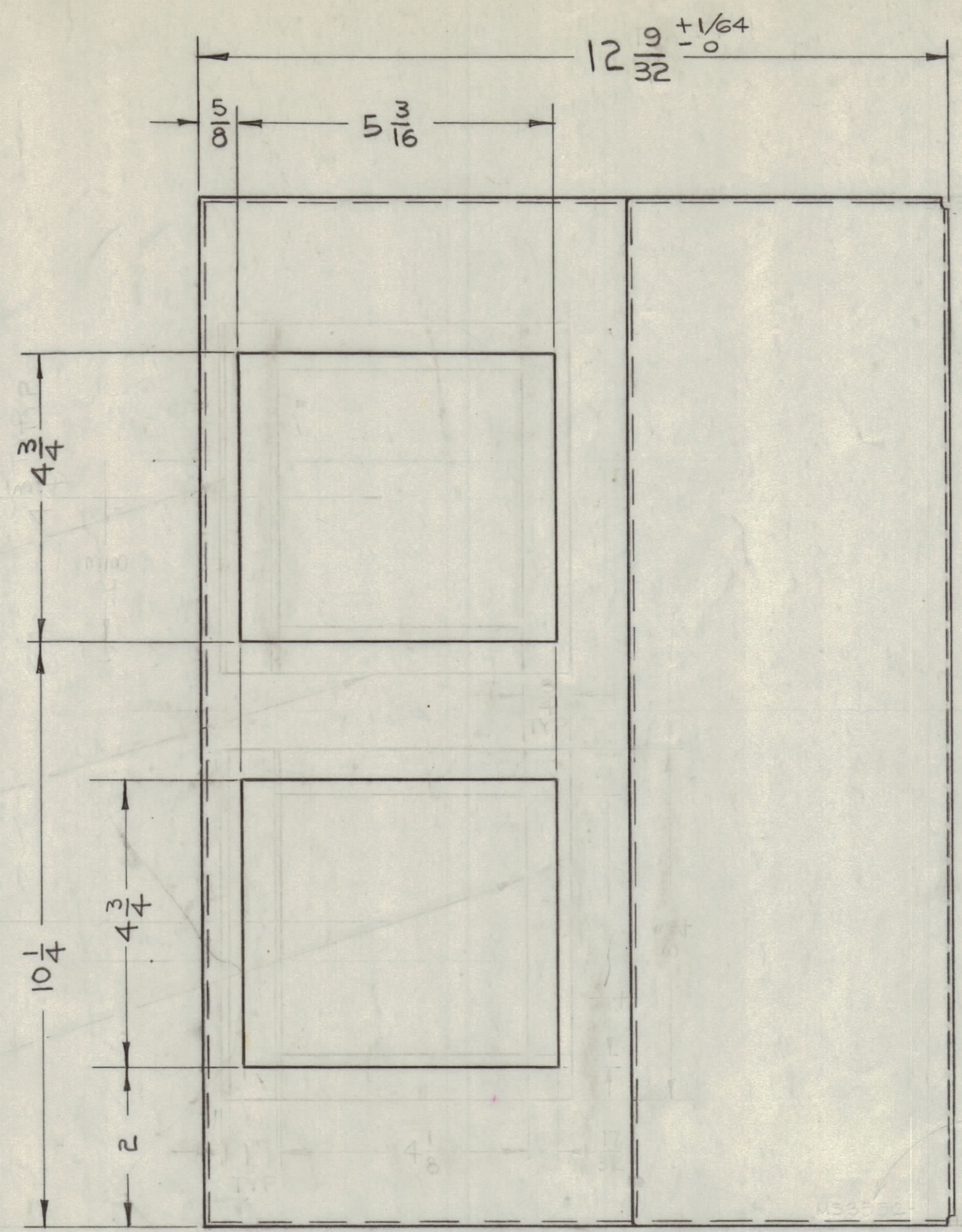
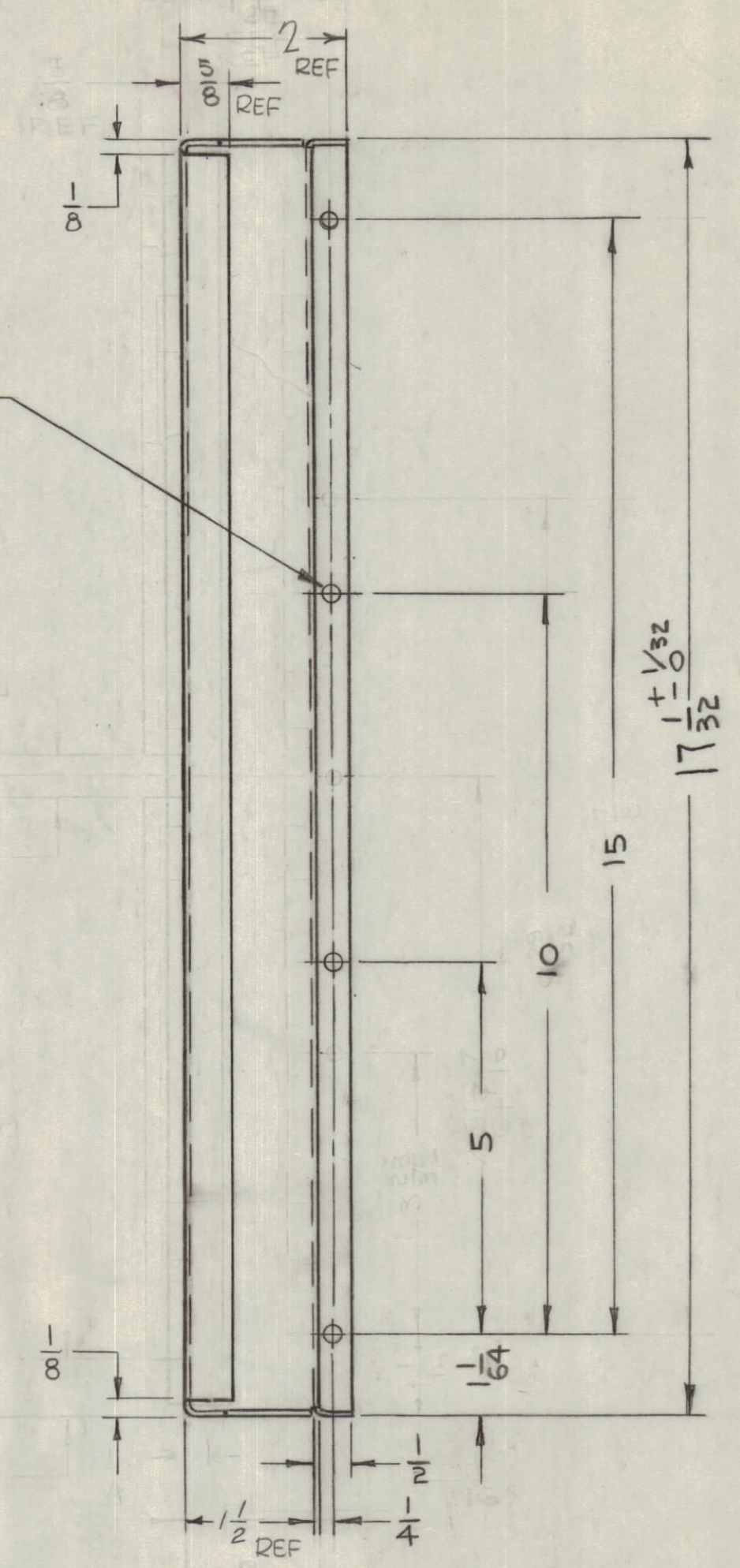


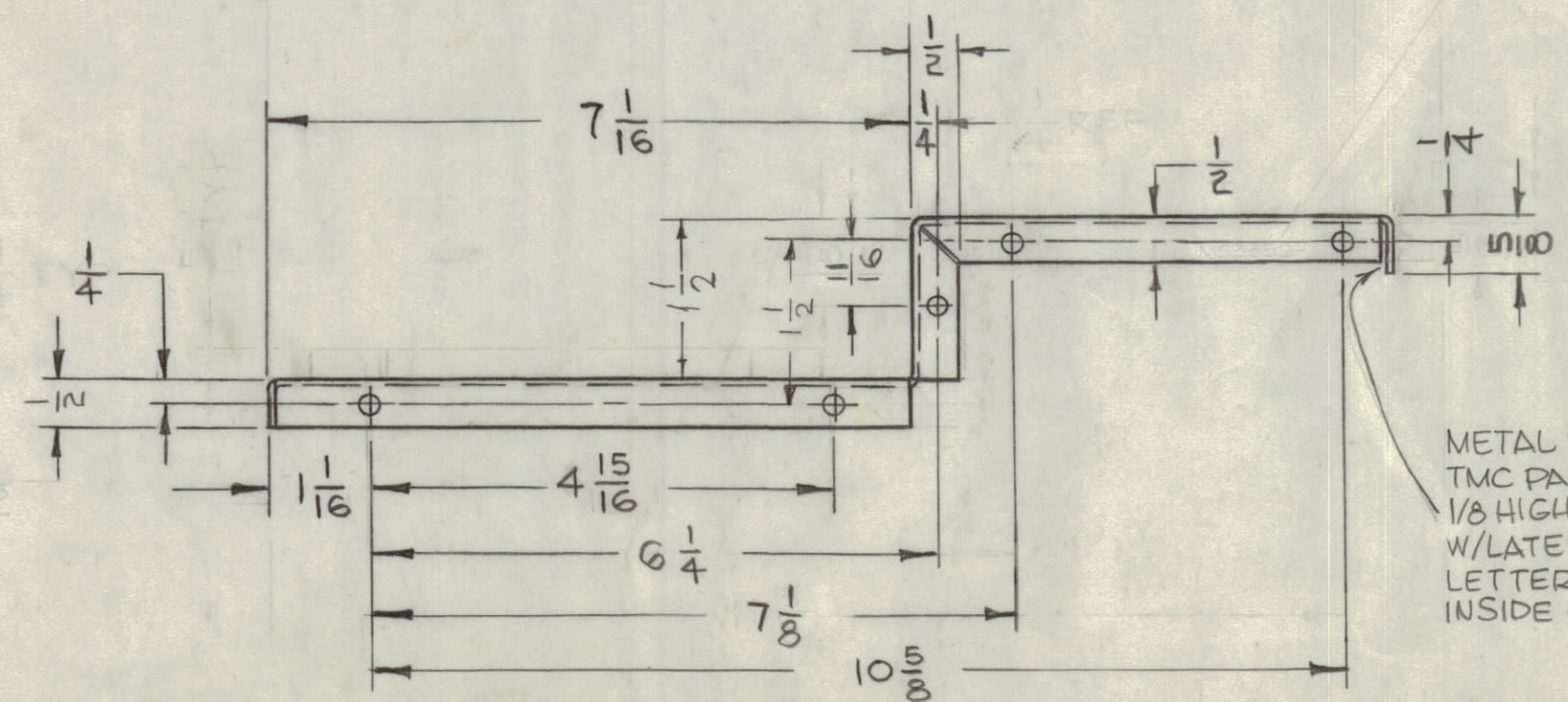
REVISIONS						
ZONE	SYM	DESCRIPTION	DATE	E.M.N. NO.	DRAFT	CHKD. APPD.
A		11/16" 1/2" ADDED 15/16" DELETED 1-1/2 WAS 1-9/16" METAL STAMP ADDED	7/17/65	14809	RAV	JCB



.182 DIA. 14 HLS



METAL STAMP TMC PART NO. 1/8 HIGH GOTHIC W/LATEST REVISION LETTER.



METAL STAMP TMC PART NO. 1/8 HIGH GOTHIC W/LATEST REV. LETTER ON INSIDE OF LIP.

NOTES:

1. INSIDE BEND RADII 1/32 MAX.
2. REMOVE ALL BURRS AND SHARP EDGES.
3. FINISH: 1) DEGREASE & CLEAN.
2) APPLY PRIMER PER TMC SPEC S-520.
3) 1 COAT BLU-GREY VINYL NON-TEXTURED, PER TMC SPEC S-520.

REQ'D.	ITEM	PART NUMBER	DESCRIPTION	SYMBOL
LIST OF MATERIAL				
MATERIAL		THE TECHNICAL MATERIEL CORP. MAMARONECK, NEW YORK		
FINISH		TITLE		
18 GA. STEEL, SHEET		COVER, FAN CHASSIS		
SEE NOTE 3				
UNLESS OTHERWISE SPECIFIED DIMENSIONS ARE IN INCHES AND INCLUDE CHEMICALLY APPLIED OR PLATED FINISHES		DRAWN	DATE	FINAL APPROVAL
		JCB	10-12-62	BP
		CHECKED	DATE	
		JCB		
		ELECT. DES.	DATE	
		MECH. DES.	DATE	
		JCB	7-8-63	
				MS-3352 A
				REV. LTR.

1	RAK-21B	
Q'TY./UNIT	MODEL USED ON	ASS'Y. NO.
NO SCALE	CODE	
THE CONTENTS OF THIS DRAWING ARE THE EXCLUSIVE PROPERTY OF THE TECHNICAL MATERIEL CORP. ITS UNAUTHORIZED USE OR REPRODUCTION IN WHOLE OR IN PART IS STRICTLY FORBIDDEN.		

NOTES

MS-3352 A