

THE CONTENTS OF THIS DRAWING ARE THE EXCLUSIVE PROPERTY OF THE TECHNICAL MATERIEL CORP. ITS UNAUTHORIZED USE FOR REPRODUCTION IN WHOLE OR IN PART IS STRICTLY FORBIDDEN.

REQ. PER UNIT

USED ON

MODEL

ASS'Y. NO.

DATE

1

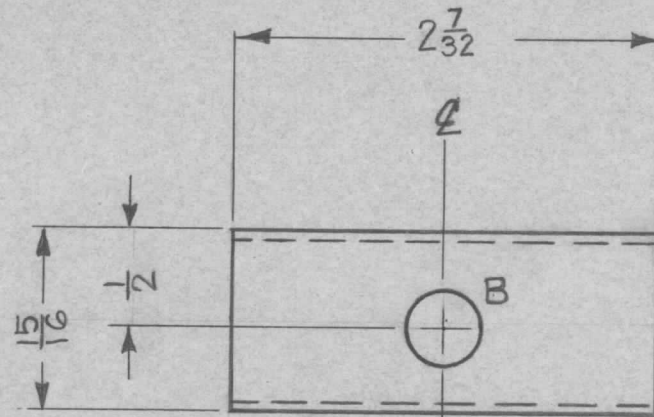
TTR-10

AX-409

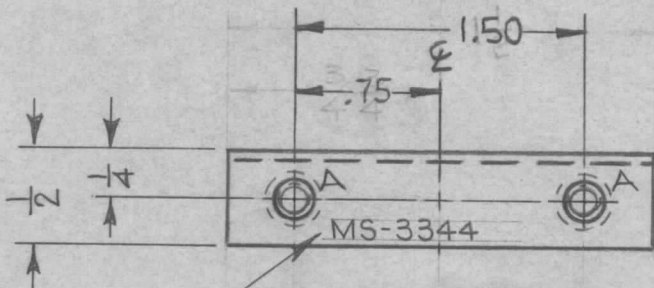
4-22-63

MS-3344

A



1 MOUNT IN ALL 'A' HOLES AS SHOWN AFTER FINISHING



OPPOSITE SIDE IDENTICAL

METAL STAMP TMC PART NO. 1/8 HIGH GOTHIC

HOLE	REQ	DESCRIPTION
A	4	.191-.194 DIA.
B	1	3/8 DIA.

NOTES:

1. USE MATERIAL THICKNESS FOR MAX RADIUS ON ALL BENDS.
2. ALL ANGULAR BENDS 90°
3. REMOVE ALL BURRS & SHARP EDGES.

4	1	NT-129-632-3	NUT, SWAGE	
REQ. ITEM	PART NO.		KOHN	DESCRIPTION E3037-54 SYMBOL
.051 THK STOCK SIZE			THE TECHNICAL MATERIEL CORP. MAMARONECK, NEW YORK	
ALUMINUM			SHIELD, TOP, IFT TANK	
MATERIAL				
5052-H32		HEAT TREAT. SPEC.	DRAWN	CHECKED
S404 YELLOW IRIDITE		R.KOHN	W. JORDAN	5/8/63
FINISH & SPEC. NO.		ELEC. DES. APP.	MECH. DES. APP.	MS-3344 A

UNLESS OTHERWISE SPECIFIED DIMENSIONS ARE IN INCHES AND INCLUDE CHEMICALLY APPLIED OR PLATED FINISHES		SCALE		FULL #	
DECIMALS	FRACTIONS	CODE			
.X ± .05	± 1/64	A			
.XX ± .01	ANGLES				
.XXX ± .005	± 0° 30'				
TOLERANCES					