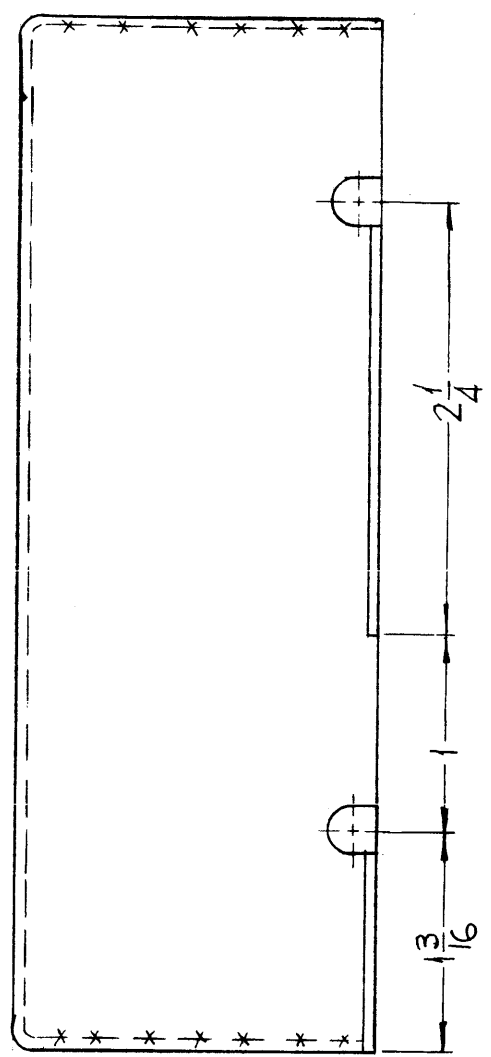


MS-3338 A

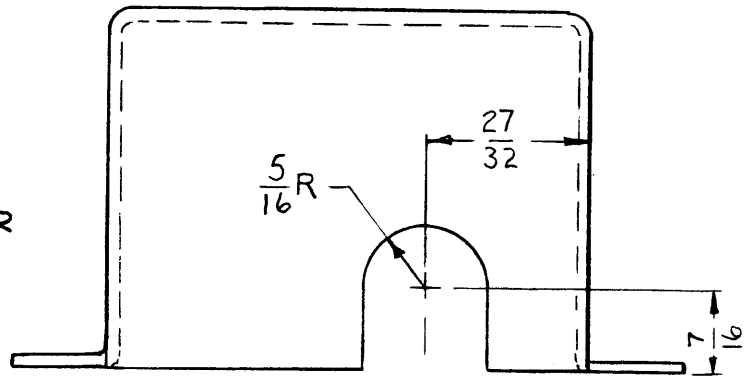
REVISIONS						
SYM	DESCRIPTION	DATE	E.M.N. NO.	DRAFT	CHKD	APFD
X4	RE-DESIGNED & REDRAWN					
O	ORIGINAL RELEASE FOR PRODUCTION	5-13-64	O	A.M.		
A	B" HOLE, 3/8 DIA. DELE; 3/16 R. SLOT.	4-22-65	13896	FL.	gob	gob



HOLES: REQ.
 A - 11/64 DIA. — 6

- UNLESS OTHERWISE SPECIFIED:
1. USE MATERIAL THICKNESS FOR MAXIMUM RADIUS ON ALL BENDS.
 2. ALL ANGULAR BENDS 90°.
 3. REMOVE ALL BURRS AND SHARP EDGES.

METAL STAMP TMC PART NO. 1/8 HIGH GOTHIC. W/LATEST REVISION LETTER



REF: LD-1286

REQ'D.	ITEM	PART NUMBER	DESCRIPTION	SYMBOL
F. BUDETTI LIST OF MATERIAL				
MATERIAL			THE TECHNICAL MATERIEL CORP.	
.064 THICK ALUMINUM			MAMARONECK, NEW YORK	
FINISH			TITLE	
S-404 YELLOW IRIDITE			COVER, CAPACITOR	
UNLESS OTHERWISE SPECIFIED DIMENSIONS ARE IN INCHES AND INCLUDE CHEMICALLY APPLIED OR PLATED FINISHES			DRAWN	DATE
			SRG	2-27-64
			CHECKED	DATE
			gob	
			ELC. DES.	DATE
			gob	3/9/64
			MECH. DES.	DATE
			gob	3/9/64
			FINAL APPROVAL	
			MS-3338	
			SHEET	
			A	
			REV. LTR.	

1	GPT-200K (AF105)	A-2765
Q'TY./UNIT	MODEL USED ON	ASS'Y. NO.
SCALE	CODE	
1"=1"		
THE CONTENTS OF THIS DRAWING ARE THE EXCLUSIVE PROPERTY OF THE TECHNICAL MATERIEL CORP. ITS UNAUTHORIZED USE OR REPRODUCTION IN WHOLE OR IN PART IS STRICTLY FORBIDDEN.		

NOTES