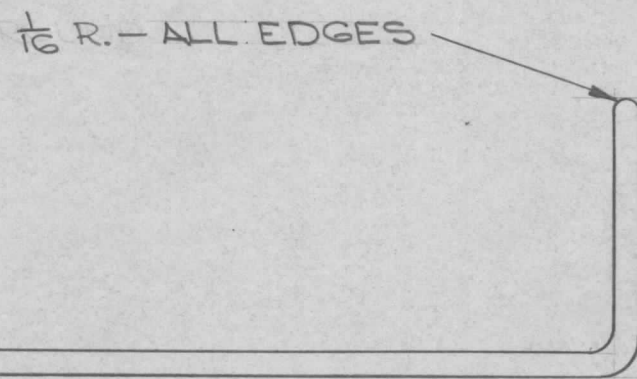
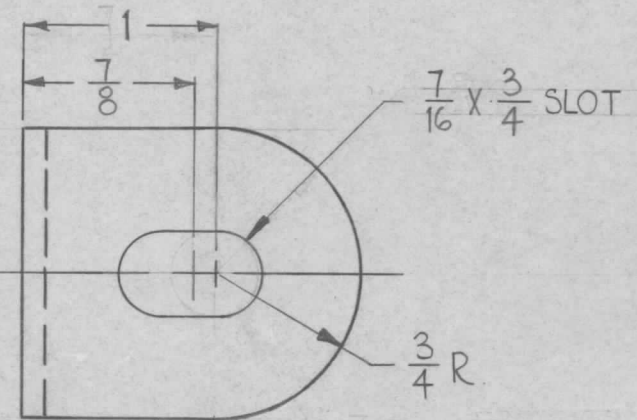
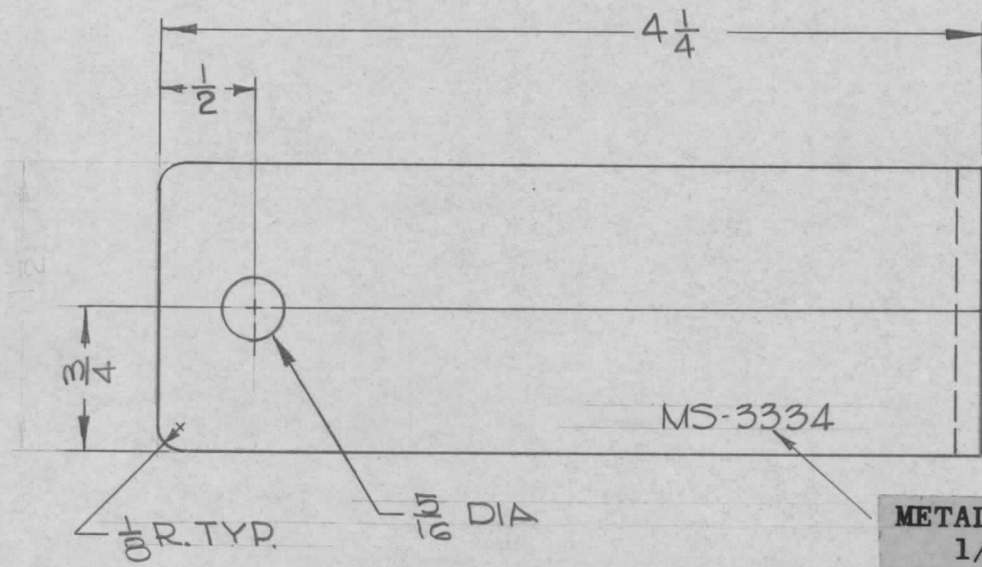


REQ. PER UNIT	USED ON			MS-3334	0
	MODEL	ASS'Y. NO.	DATE		
1	GPT-200K	AX-395	8-29-63		



**UNLESS OTHERWISE SPECIFIED:**

1. USE MATERIAL THICKNESS FOR MAXIMUM RADIUS ON ALL BENDS.
2. ALL ANGULAR BENDS 90°.
3. REMOVE ALL BURRS AND SHARP EDGES.



**METAL STAMP TMC PART NO. 1/8 HIGH GOTHIC.**

REQ.	ITEM	PART NO.	F. BUDETTI			DESCRIPTION	SYMBOL
		1/8 THK	THE TECHNICAL MATERIEL CORP.				
		STOCK SIZE	MAMARONECK.				
		HOT ROLLED COPPER	NEW YORK				
0	ORIGINAL RELEASE	5.16.64	LSB	PLATE, ELECTRICAL			
SYM	DESCRIPTION	DATE	CH. NO.	DRAFTS	CHECKER	ENG. APP.	
UNLESS OTHERWISE SPECIFIED DIMENSIONS ARE IN INCHES AND INCLUDE CHEMICALLY APPLIED OR PLATED FINISHES		SCALE		MATERIAL			
DECIMALS .X ± .05 .XX ± .01 .XXX ± .005		FRACTIONS ± 1/64 ANGLES ± 0° 30'		TYPE & TEMPER		HEAT TREAT. SPEC.	FINISH & SPEC. NO.
TOLERANCES		CODE		DRAWN		CHECKED	FINAL APPROVAL
				8-29-63		aa	MS-3334 0
				S245-SILVER PLATE .0003		MECH. DES. APP.	
				ELEC. DES. APP.			