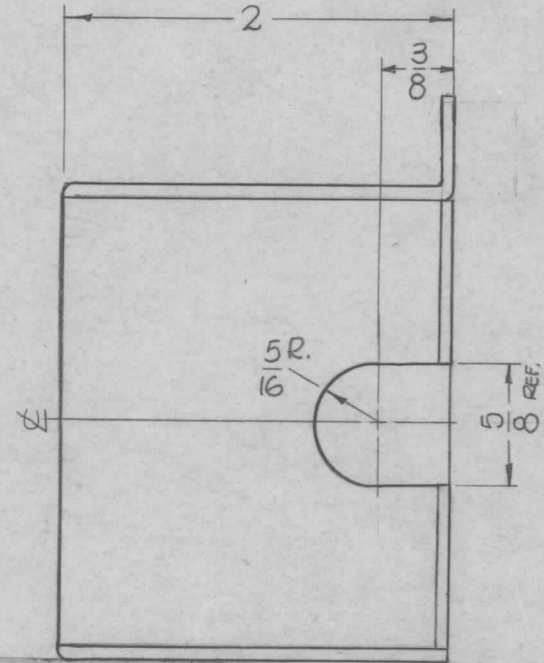
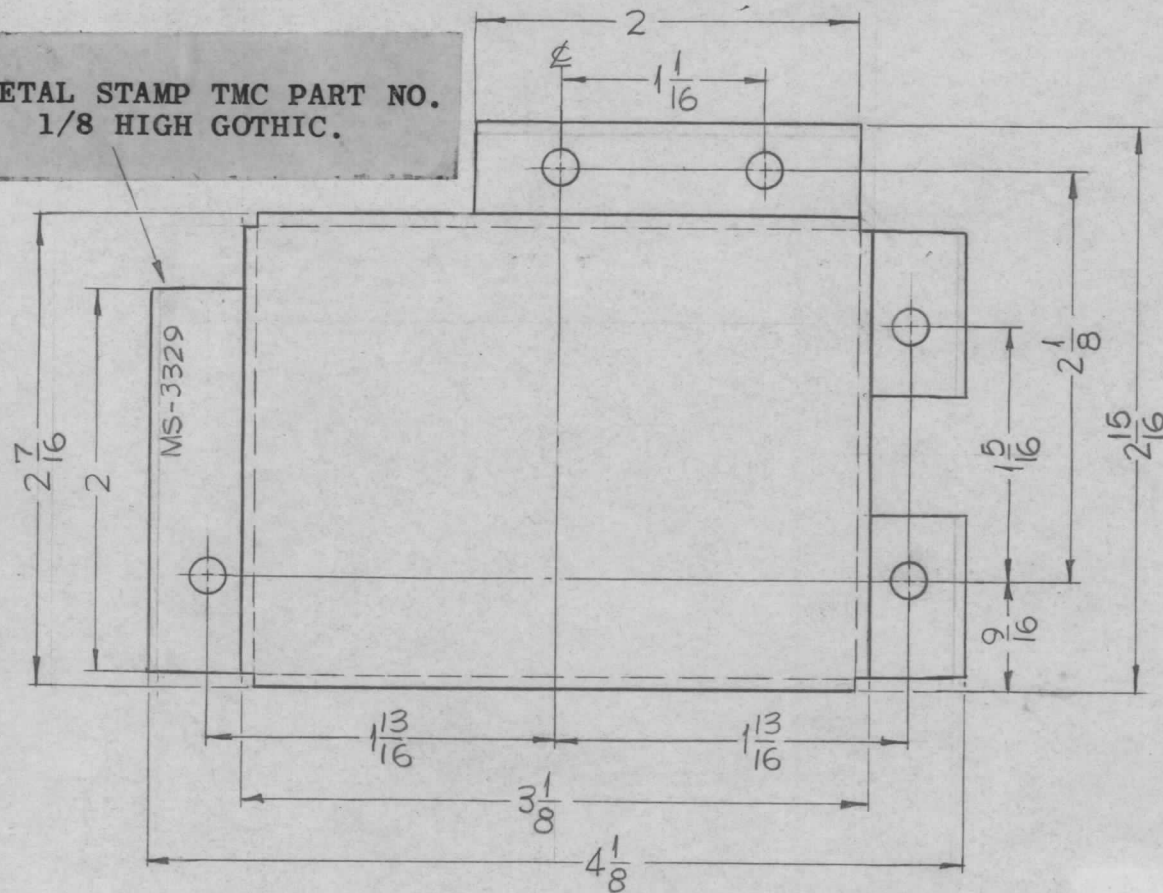


HOLES~
3/16 DIA. (5 REQ.)

REQ. PER UNIT	USED ON			MS-3329	0
	MODEL	ASS'Y. NO.	DATE		
1	GPT-200K	AX-395	8-23-63		

METAL STAMP TMC PART NO.
1/8 HIGH GOTHIC.



- UNLESS OTHERWISE SPECIFIED:
1. USE MATERIAL THICKNESS FOR MAXIMUM RADIUS ON ALL BENDS.
 2. ALL ANGULAR BENDS 90°.
 3. REMOVE ALL BURRS AND SHARP EDGES.

REF: LD-1280

						REQ. ITEM	PART NO.	F. BUDETTI	DESCRIPTION	SYMBOL		
							.064		THE TECHNICAL MATERIEL CORP.			
							STOCK SIZE		MAMARONECK.	NEW YORK		
0	ORIGINAL RELEASE	5.16.64		SRB			ALUMINUM		SHIELD, CONNECTOR			
SYM	DESCRIPTION	DATE	CH. NO.	DRAFTS	CHECKER	ENG. APP.	MATERIAL					
UNLESS OTHERWISE SPECIFIED		SCALE					5052-H32	SRG	aa	RDC		
DIMENSIONS ARE IN INCHES AND INCLUDE		1" = 1"					TYPE & TEMPER	HEAT TREAT. SPEC.	DRAWN	CHECKED	FINAL APPROVAL	
CHEMICALLY APPLIED OR PLATED FINISHES							S404 YELLOW IRIDITE		2P	ac 2/1/64	MS-3329	0
DECIMALS	TOLERANCES	FRACTIONS	CODE				FINISH & SPEC. NO.	ELEC. DES. APP.	MECH. DES. APP.			
.X ± .05		± 1/64										
.XX ± .01		ANGLES										
.XXX ± .005		± 0° 30'										