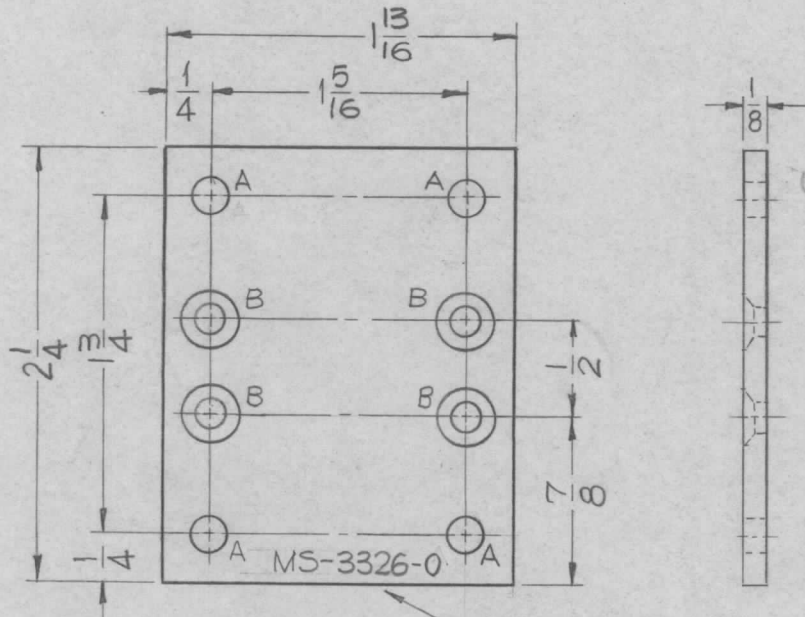
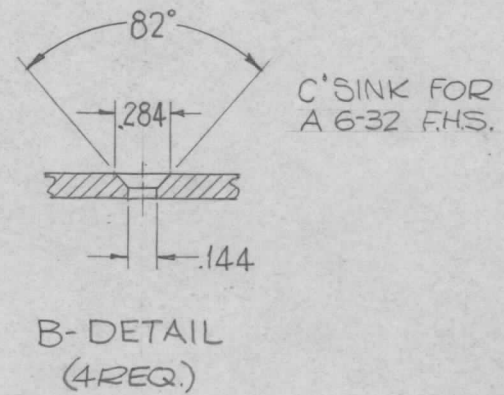


REQ. PER UNIT	USED ON			MS-3326	0
	MODEL	ASS'Y. NO.	DATE		
3	GPT-200K	AR-137	8-23-63		
4	GPT-200K	AR-138	8-23-63		



METAL STAMP TMC PART NO. 1/8 HIGH GOTHIC.

HOLES:
A - 11/64 DIA. — 4REQ.



							REQ. ITEM	PART NO.	F. BUDETTI	DESCRIPTION	SYMBOL		
								1/8 THICK	THE TECHNICAL MATERIEL CORP. MAMARONECK, NEW YORK				
								STOCK SIZE	PLATE, RELAY MTG.				
								ALUMINUM					
								MATERIAL					
								5052-H32	SRG	aa	Roc		
								TYPE & TEMPER	HEAT TREAT. SPEC.	DRAWN	CHECKED	FINAL APPROVAL	
								S404 YELLOW IRIDITE		DBRB	mc 2/1/64	MS-3326	0
								FINISH & SPEC. NO.	ELEC. DES. APP.	MECH. DES. APP.			
UNLESS OTHERWISE SPECIFIED DIMENSIONS ARE IN INCHES AND INCLUDE CHEMICALLY APPLIED OR PLATED FINISHES		SCALE		1" = 1"									
DECIMALS .X ± .05 .XX ± .01 .XXX ± .005	TOLERANCES		FRACTIONS ± 1/64 ANGLES ± 0° 30'	CODE	A								