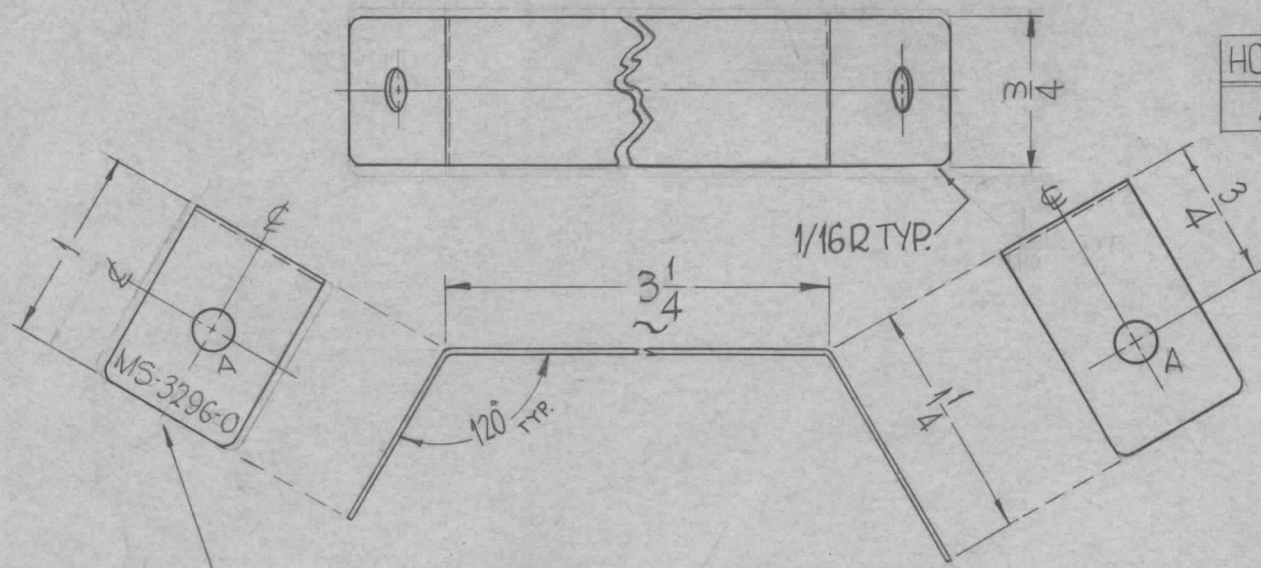


THE CONTENTS OF THIS DRAWING ARE THE EXCLUSIVE PROPERTY OF THE TECHNICAL MATERIEL CORP. ITS UNAUTHORIZED USE FOR REPRODUCTION IN WHOLE OR IN PART IS STRICTLY FORBIDDEN.

REQ. PER UNIT	USED ON		
	MODEL	ASS'Y. NO.	DATE
1	GPT-200K	A-3159	6-25-63

MS-3296 0

4
AX-392



HOLE	DESCRIPTION	REQ.
A	15/64 DIA.	2

METAL STAMP TMC PART NO. 1/8 HIGH GOTHIC AS SHOWN.

REQ.	ITEM	PART NO.	F. BUDETTI	DESCRIPTION	SYMBOL
		.019 THICK		THE TECHNICAL MATERIEL CORP.	
		STOCK SIZE		MAMARONECK, NEW YORK	
		COPPER		STRAP, CONNECTING	
		MATERIAL			
		SOFT	SRG	aa gcb	RJC 4-7-64
		TYPE & TEMPER		CHECKED	FINAL APPROVAL
		HEAT TREAT. SPEC.			
		5245 SILVER PLATE			MS-3296 0
		FINISH & SPEC. NO.		ELEC. DES. APP.	MECH. DES. APP.

UNLESS OTHERWISE SPECIFIED DIMENSIONS ARE IN INCHES AND INCLUDE CHEMICALLY APPLIED OR PLATED FINISHES

DECIMALS
.X ± .05
.XX ± .01
.XXX ± .005

FRACTIONS
± 1/64
ANGLES
± 0° 30'

TOLERANCES

CODE
A

SCALE 1" = 1"