

THE CONTENTS OF THIS DRAWING ARE THE EXCLUSIVE PROPERTY OF THE TECHNICAL MATERIEL CORP. ITS UNAUTHORIZED USE FOR REPRODUCTION IN WHOLE OR IN PART IS STRICTLY FORBIDDEN.

REQ. PER UNIT

2

USED ON

MODEL

GPT-200K

ASS'Y. NO.

AX-393

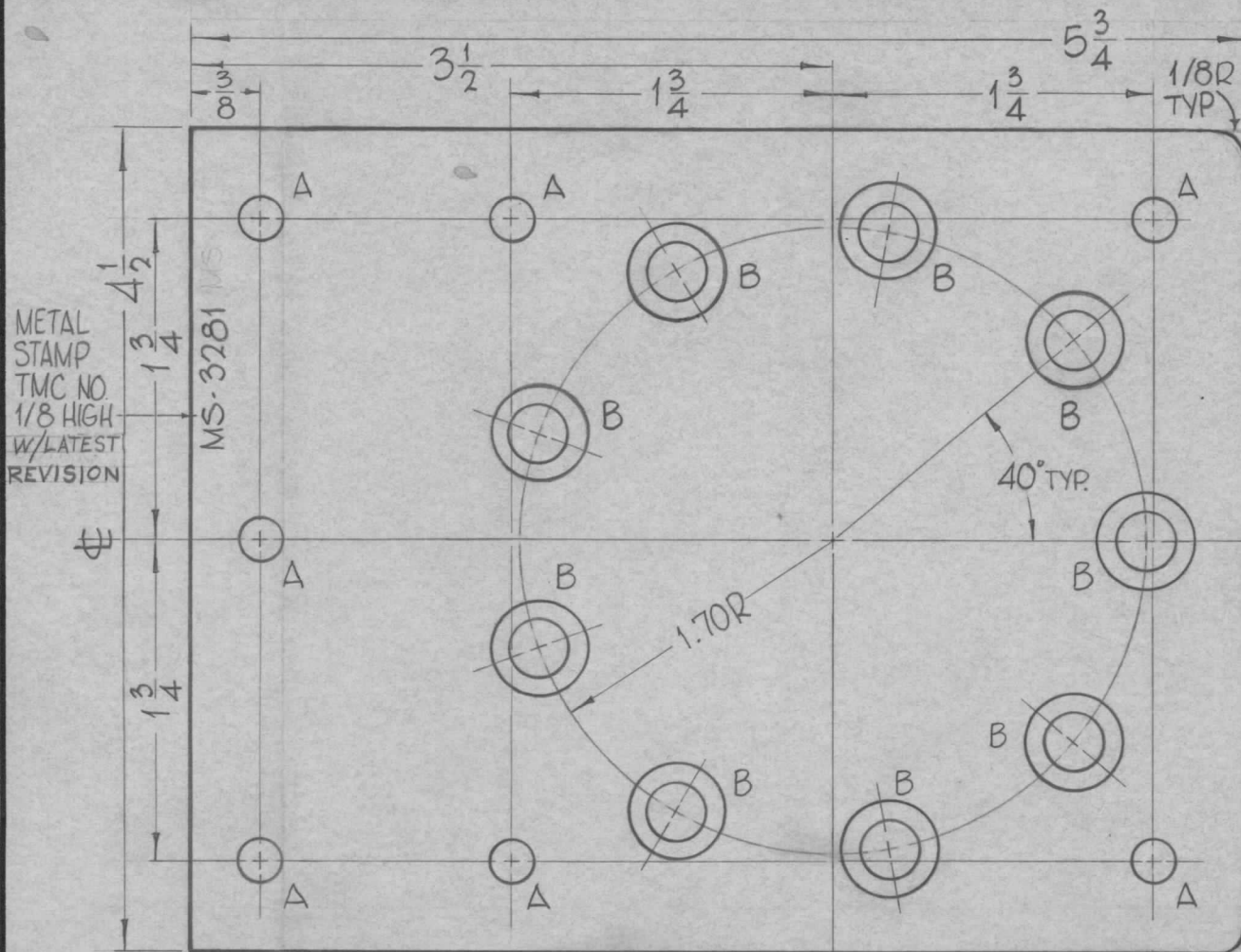
DATE

5-20-63

MS-3281

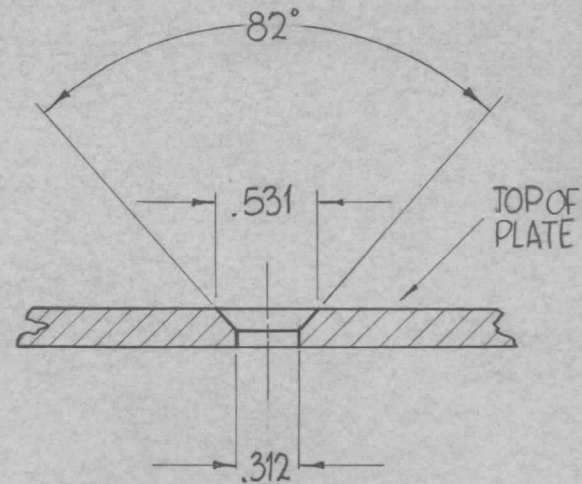
0

NOTE: ROUND ALL EDGES 1/32 R



METAL STAMP  
TMC NO.  
1/8 HIGH  
W/LATEST  
REVISION

MS-3281 TMC



"B" DETAIL

9 REQ.

HOLES

A - 15/64 DIA

7 REQ.

B - SEE DETAIL

REF. TMC DWG'S. LD-1259, LD-1260

REQ.	ITEM	PART NO.	F. BUDETTI	DESCRIPTION	SYMBOL
		3/16 THICK		THE TECHNICAL MATERIEL CORP. MAMARONECK, NEW YORK	PLATE, CAPACITOR MTG.
		STOCK SIZE			
		ALUMINUM			
		MATERIAL			
		5052-H-32	John C. Biele	aa	RDC
		TYPE & TEMPER		CHECKED	FINAL APPROVAL
		HEAT TREAT. SPEC.			
		S-404-IRIDITE 14-2 ALCOAT		12/17/63	MS-3281 0
		FINISH & SPEC. NO.		ELEC. DES. APP.	MECH. DES. APP.

SYM	DESCRIPTION	DATE	CH. NO.	DRAFTS	CHECKER	ENG. APP.
0	ORIGINAL RELEASE FOR PRODUCTION	5-13-64	0	A.M.		
X1	1/32 R NOTE ADDED	10-16-63				

DECIMALS	FRACTIONS	CODE
.X ± .05	± 1/64	A
.XX ± .01	ANGLES	
.XXX ± .005	± 0° 30'	

UNLESS OTHERWISE SPECIFIED DIMENSIONS ARE IN INCHES AND INCLUDE CHEMICALLY APPLIED OR PLATED FINISHES

SCALE