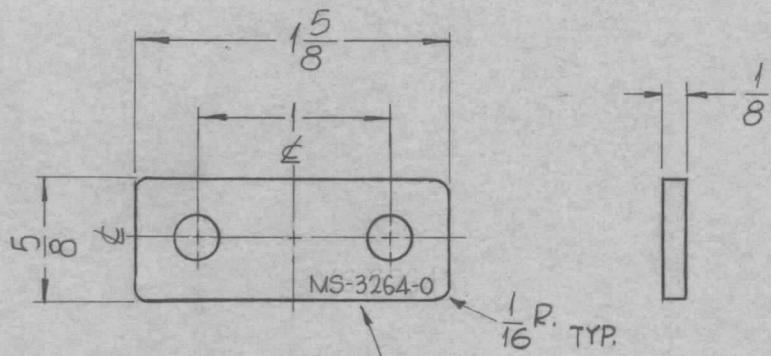


THE CONTENTS OF THIS DRAWING ARE THE EXCLUSIVE PROPERTY OF THE TECHNICAL MATERIEL CORP. ITS UNAUTHORIZED USE FOR REPRODUCTION IN WHOLE OR IN PART IS STRICTLY FORBIDDEN.

REQ. PER UNIT	USED ON		
	MODEL	ASS'Y. NO.	DATE
2	GPT-200K	AX-396	2-5-63

MS-3264 ○

HOLES:  
7/32 DIA. (2 REQ.)



METAL STAMP TMC  
PART NO. 1/8 HIGH  
GOTHIC AS SHOWN.

UNLESS OTHERWISE SPECIFIED DIMENSIONS ARE IN INCHES AND INCLUDE CHEMICALLY APPLIED OR PLATED FINISHES			
DECIMALS	TOLERANCES		FRACTIONS
.X ± .05			± 1/64
.XX ± .01			ANGLES
.XXX ± .005			± 0° 30'

CUT HERE  
GUARANTEED  
2-66

						REQ. ITEM	PART NO.	F. BUDETTI	DESCRIPTION	SYMBOL	
						1/8 THICK		THE TECHNICAL MATERIEL CORP.			
						STOCK SIZE		MAMARONECK. NEW YORK			
						COPPER		PLATE, JUMPER ELECTRICAL			
						MATERIAL		HV BREAKER			
UNLESS OTHERWISE SPECIFIED DIMENSIONS ARE IN INCHES AND INCLUDE CHEMICALLY APPLIED OR PLATED FINISHES						SCALE		SRG	QC/B	RDL 4-7-64	
								TYPE & TEMPER		HEAT TREAT. SPEC.	
								DRAWN		CHECKED	
								CHROME PLATED		12/13/63	
								FINISH & SPEC. NO.		ELEC. DES. APP.	
										MECH. DES. APP.	
DECIMALS .X ± .05 .XX ± .01 .XXX ± .005						FRACTIONS ± 1/64 ANGLES ± 0° 30'		TOLERANCES		CODE A	
								MS-3264		○	