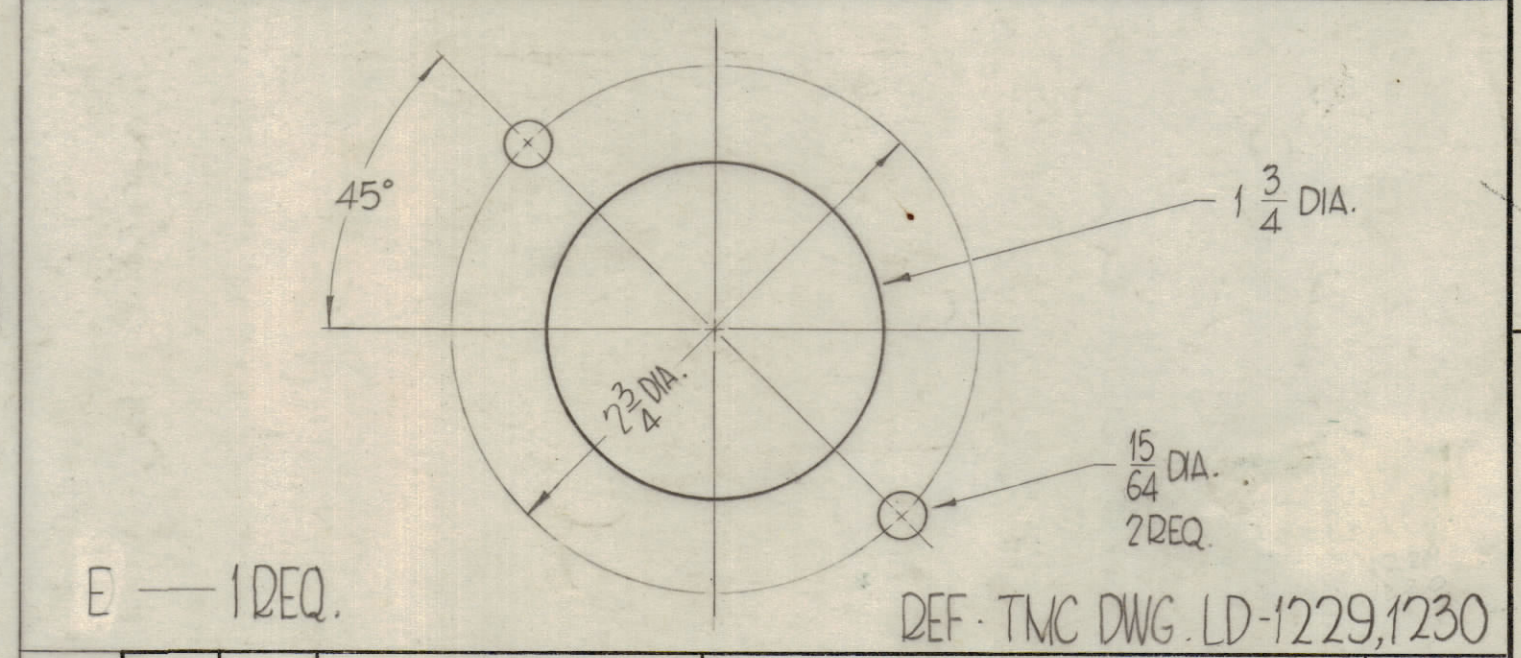
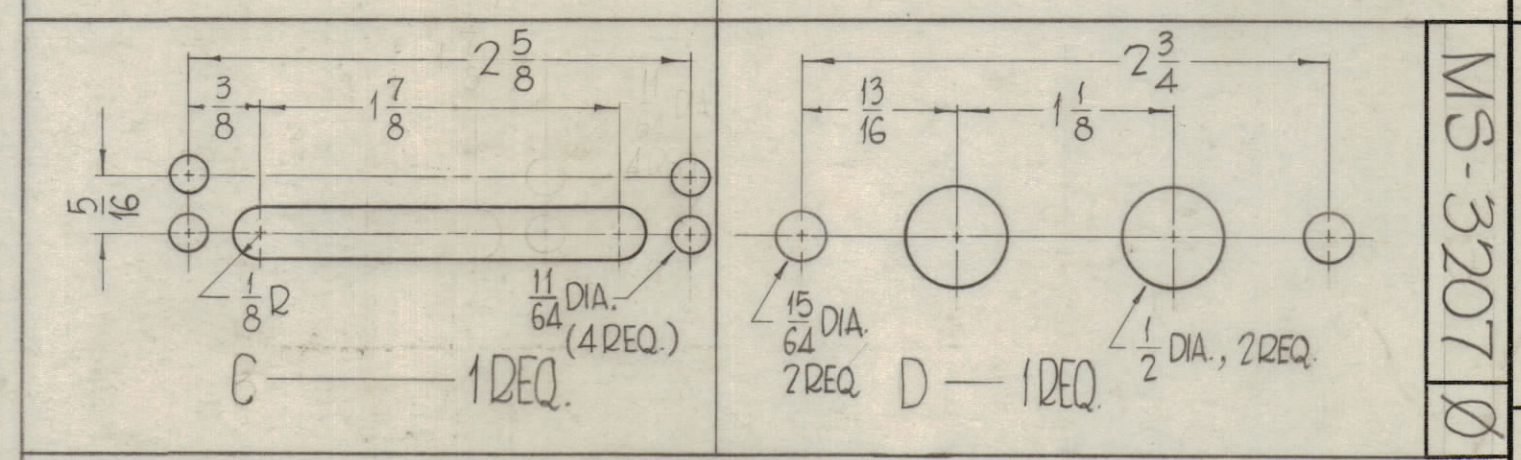
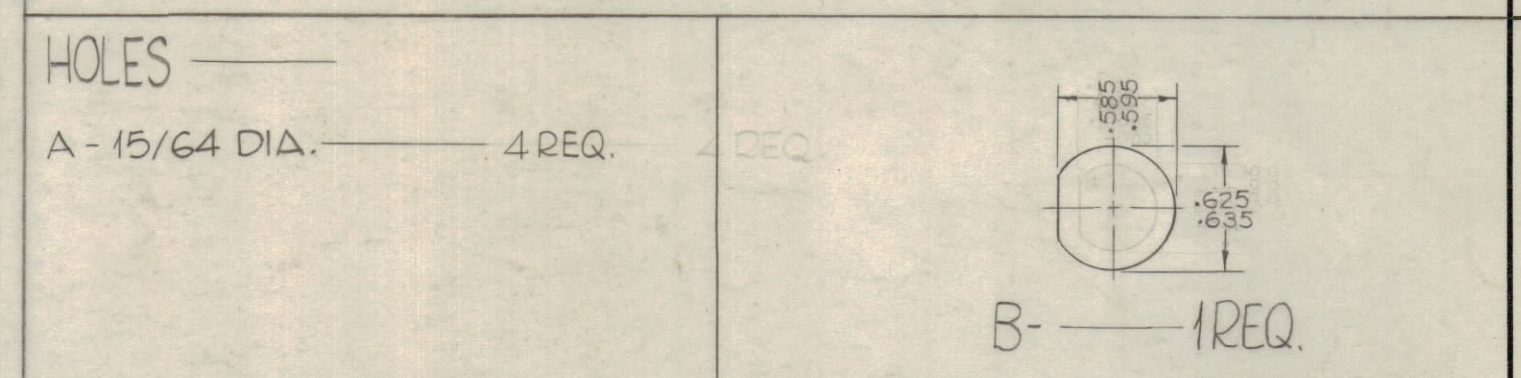
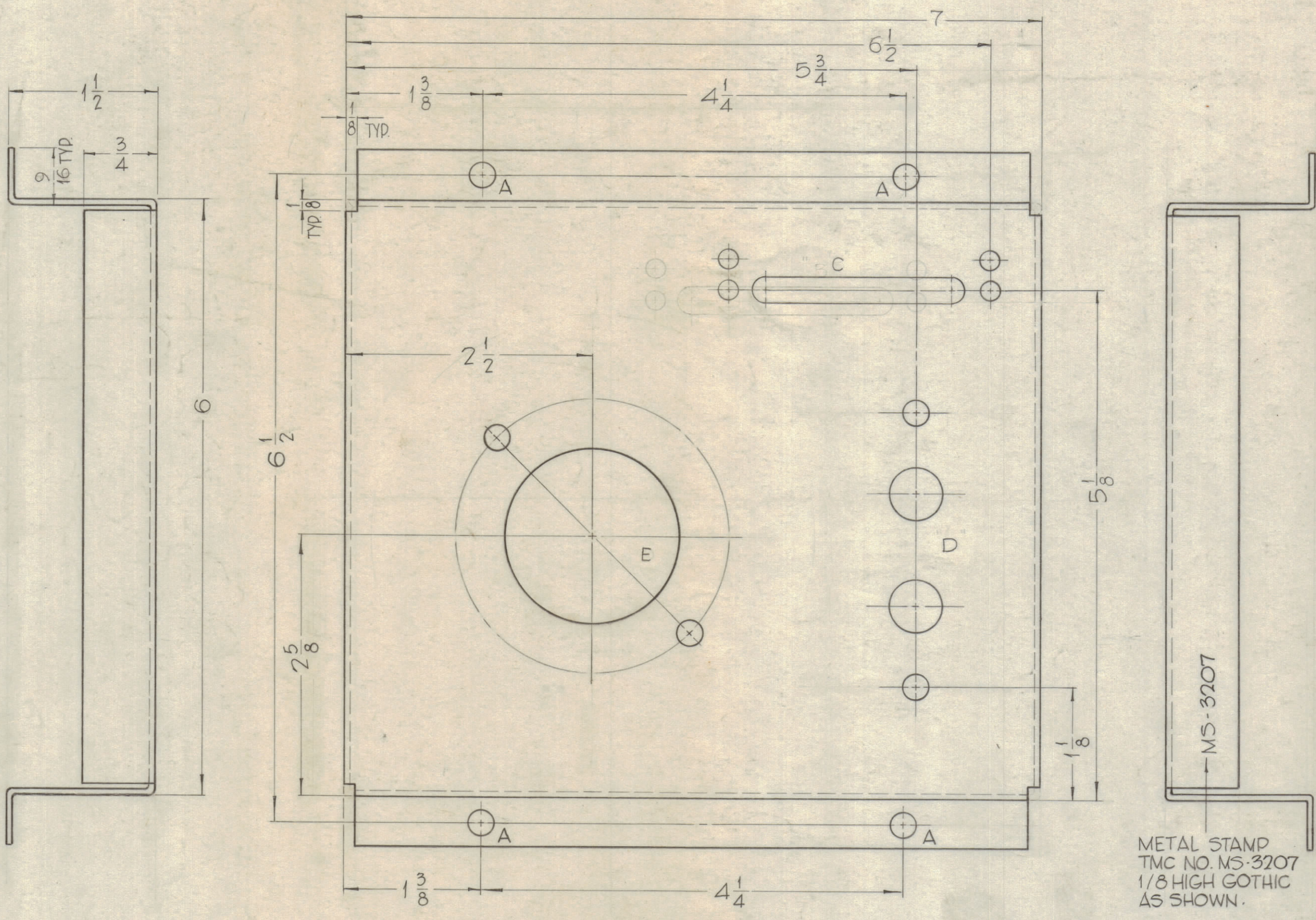
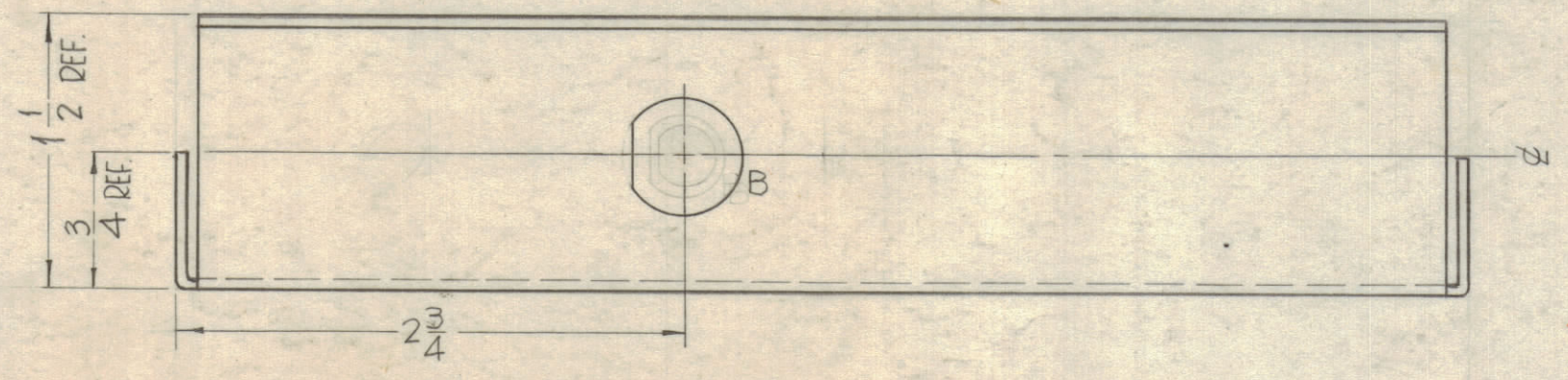


REVISIONS					
ZONE	SYM	DESCRIPTION	DATE	E.M.N. NO.	APPD
	Ø	ORIGINAL RELEASE FOR PRODUCTION	5.18.69		WB



METAL STAMP
TMC NO. MS-3207
1/8 HIGH GOTHIC
AS SHOWN.

USE MATERIAL THICKNESS FOR MAXIMUM RADIUS ON ALL BENDS.
ALL BENDS 90°

NOTES

THE CONTENTS OF THIS DRAWING ARE THE EXCLUSIVE PROPERTY OF THE TECHNICAL MATERIEL CORP. ITS UNAUTHORIZED USE OR REPRODUCTION IN WHOLE OR IN PART IS STRICTLY FORBIDDEN.

REQ'D.	ITEM	PART NUMBER	DESCRIPTION	SYMBOL
F. BUDETTI LIST OF MATERIAL				
MATERIAL		THE TECHNICAL MATERIEL CORP. MAMARONECK, NEW YORK		
FINISH		TITLE		
S404 - IRIDITE		CHASSIS, LAMP & CAP. MTG.		
UNLESS OTHERWISE SPECIFIED DIMENSIONS ARE IN INCHES AND INCLUDE CHEMICALLY APPLIED OR PLATED FINISHES		DRAWN	DATE	FINAL APPROVAL
		John C. Biele		
		CHECKED	DATE	
		aa		
DECIMALS		ELECT. DES.	DATE	
.X ± .05		MECH. DES.	DATE	
.XX ± .01			DATE	
.XXX ± .005			DATE	
TOLERANCES		MS-3207 Ø		
± 1/64		SHEET		
ANGLES ± 0° 30'		REV. LTR.		