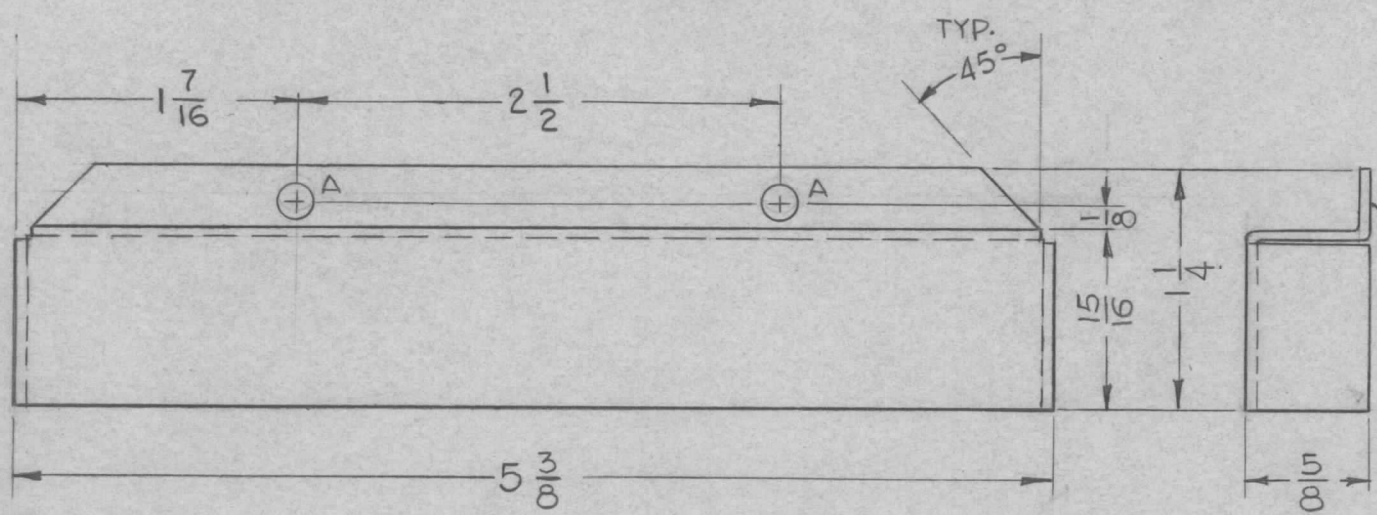


THE CONTENTS OF THIS DRAWING ARE THE EXCLUSIVE PROPERTY OF THE TECHNICAL MATERIEL CORP. ITS UNAUTHORIZED USE FOR REPRODUCTION IN WHOLE OR IN PART IS STRICTLY FORBIDDEN.

REQ. PER UNIT	USED ON		
	MODEL	ASS'Y. NO.	DATE
1	KIT-155	A-3139	3-12-63

MS-3120

HOLE	DESCRIPTION	REQ'D
A	1/64 DIA.	2



METAL STAMP TMC PART No. 1/8 HIGH GOTHIC ON THIS SIDE.

BOTH SIDES IDENTICAL

NOTE -
USE MATERIAL THICKNESS FOR MAX. RADIUS ON ALL BENDS UNLESS OTHERWISE SPECIFIED

SYM	DESCRIPTION	DATE	CH. NO.	DRAFTS	CHECKER	ENG. APP.	REQ. ITEM	PART NO.	STRUMER DESCRIPTION	SYMBOL
								.064 THK.	THE TECHNICAL MATERIEL CORP. MAMARONECK, NEW YORK	
								STOCK SIZE		
								ALUMINUM		COVER, TERMINAL STRIP
								MATERIAL		
							5052-H32		G.D.L.	Joe 4/1/63
							TYPE & TEMPER	HEAT TREAT. SPEC.	DRAWN	CHECKED
							S404 YEL. IRIDITE		JMA	JMA
							FINISH & SPEC. NO.		ELEC. DES. APP.	MECH. DES. APP.
										MS-3120