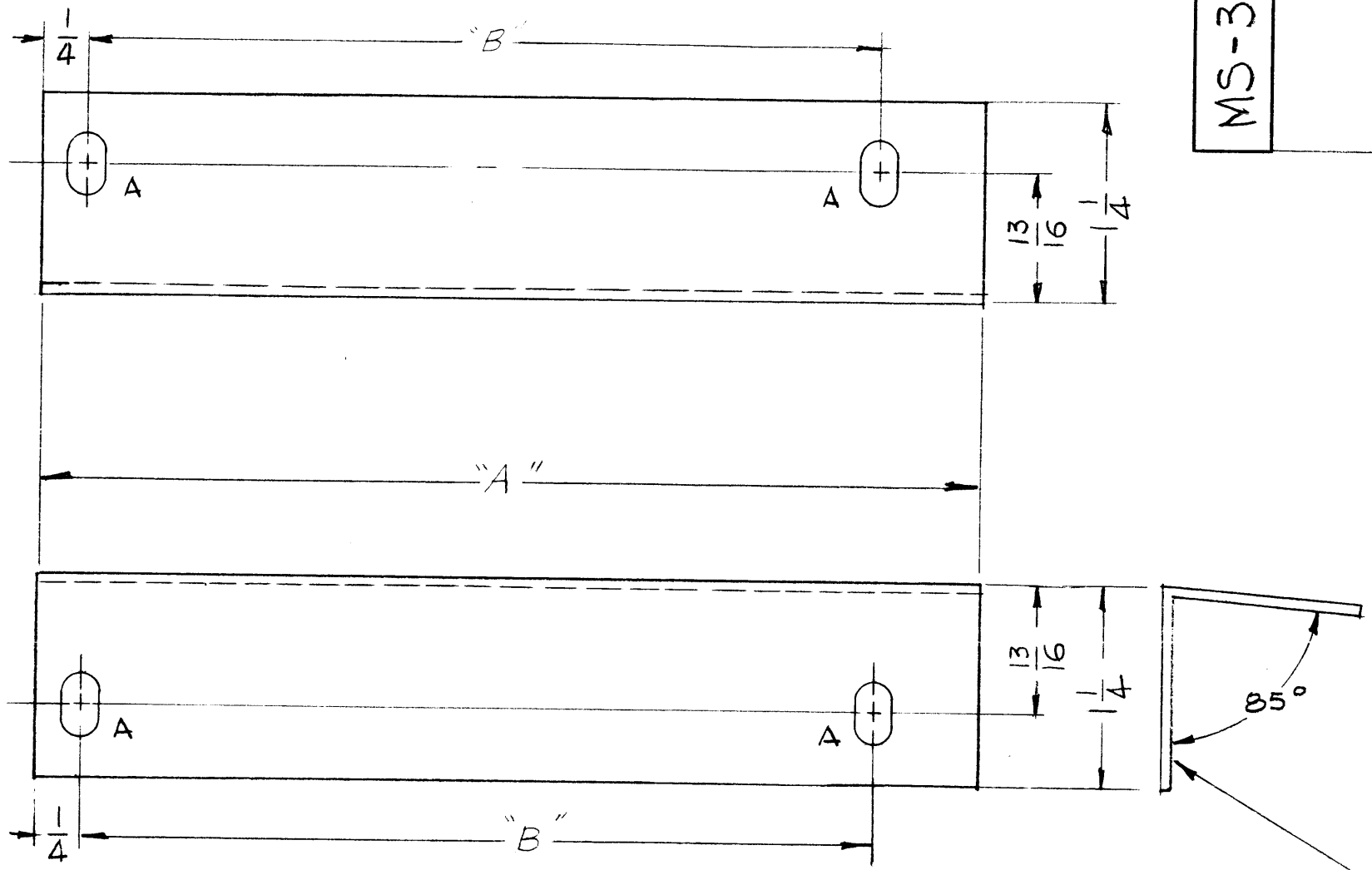


TMC P/N	A	B	USED ON	REQ'D
MS-3111	5 7/8	4 13/16	TER-5000-300 U	2
MS-3111-2	7 7/8	6 13/16	TER-13K-600EF	2

REVISIONS					
SYM	DESCRIPTION	DATE	EM. NO.	DRAFT	CHKD
A	HOLE "A" WAS 13/64 X 13/32 SLOT.	8-5-63	97	AK	JAY
B	DIM "A" WAS 5-7/8, DIM "B" WAS 4-13/16 (2 PLACES) T.M.C. PART NUMBER CHART ADDED	9/11/65	14540	AV	JAY

MS-3111



HOLE	DESCRIPTION	REQ'D
A	7/32 x 3/8 SLOT	4

METAL STAMP TMC PART NO.  
V8 HIGH GOTHIC, W/LATEST  
REVISION LETTER.

2	SEE CHART	A-3130
QTY./UNIT	MODEL USED ON	ASS'Y. NO.
SCALE	CODE	

REQ'D.	ITEM	PART NUMBER	DESCRIPTION	SYMBOL
F. BUDETTI LIST OF MATERIAL				
MATERIAL			THE TECHNICAL MATERIEL CORP. MAMARONECK, NEW YORK	
.064 THK 5052-H32 ALUMINUM			TITLE	
FINISH			MOLDING, CORNER, TOP	
S404-YELLOW IRIDITE S114-ZINC CHROMATE PRIMER S115-SMOOTH GRAY ENAMEL			DRAWN G.O.L. DATE 3-16-64	
UNLESS OTHERWISE SPECIFIED DIMENSIONS ARE IN INCHES AND INCLUDE CHEMICALLY APPLIED OR PLATED FINISHES			CHECKED [Signature] DATE	
DECIMALS .X ± .05 .XX ± .01 .XXX ± .005			ELECT. DES. [Signature] DATE	
FRACTIONS ± 1/64 ANGLES ± 0° 30'			MECH. DES. [Signature] DATE	
TOLERANCES			FINAL APPROVAL [Signature] DATE	
THE CONTENTS OF THIS DRAWING ARE THE EXCLUSIVE PROPERTY OF THE TECHNICAL MATERIEL CORP. ITS UNAUTHORIZED USE OR REPRODUCTION IN WHOLE OR IN PART IS STRICTLY FORBIDDEN.			SHEET MS-3111	
NOTES			REV. LTR. B	