

THE CONTENTS OF THIS DRAWING ARE THE EXCLUSIVE PROPERTY OF THE TECHNICAL MATERIEL CORP. ITS UNAUTHORIZED USE FOR REPRODUCTION IN WHOLE OR IN PART IS STRICTLY FORBIDDEN.

REQ. PER UNIT

1

TRX-1

USED ON

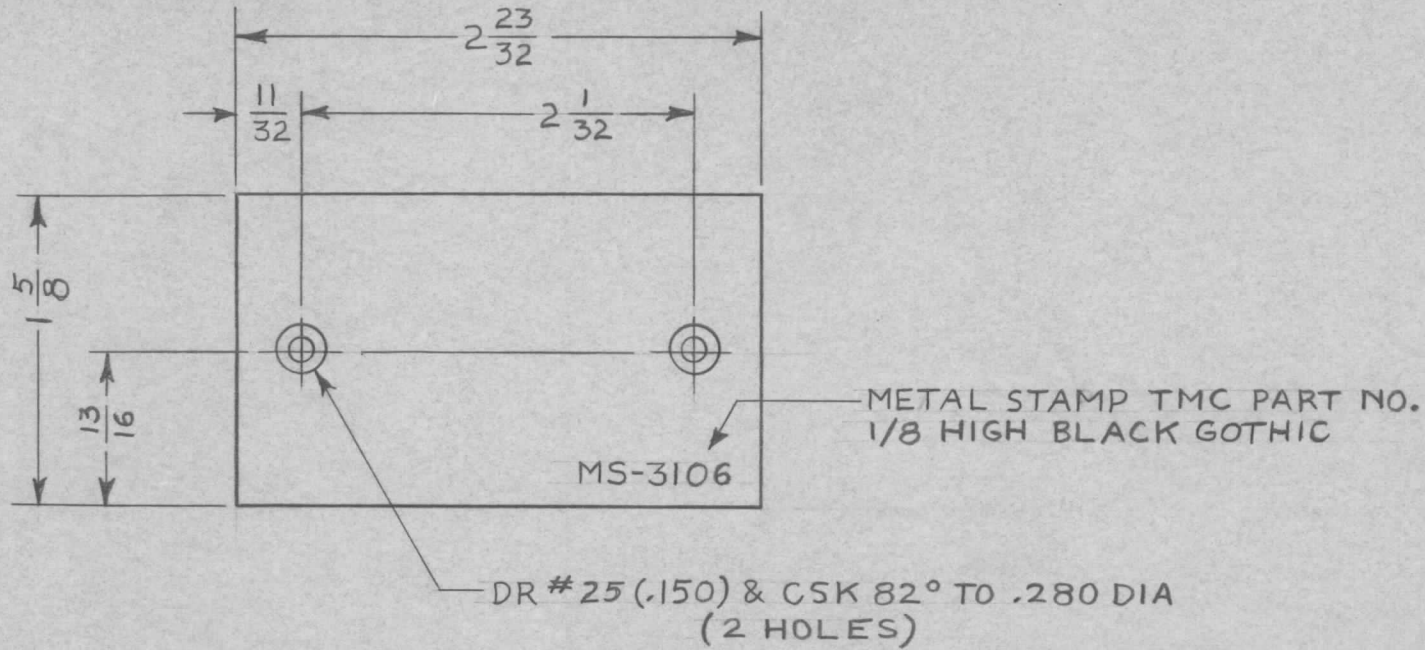
MODEL

ASS'Y. NO.

DATE

2/25/63

MS-3106



REQ.	ITEM	PART NO.	J. STRUMER	DESCRIPTION	SYMBOL		
		.064 THICK		THE TECHNICAL MATERIEL CORP.			
		STOCK SIZE		MAMARONECK, NEW YORK			
		ALUMINUM		PLATE, COVER, XTAL			
		MATERIAL					
SYM	DESCRIPTION	DATE	CH. NO.	DRAFTS	CHECKER	ENG. APP.	
	UNLESS OTHERWISE SPECIFIED DIMENSIONS ARE IN INCHES AND INCLUDE CHEMICALLY APPLIED OR PLATED FINISHES	SCALE	FULL				
DECIMALS	FRACTIONS	CODE	5052-H32				
.X ± .05	± 1/64		TYPE & TEMPER	HEAT TREAT. SPEC.	DRAWN	CHECKED	FINAL APPROVAL
.XX ± .01	ANGLES		YEL IRIDITE S-404		JMA	D. Hoffman	
.XXX ± .005	± 0° 30'		FINISH & SPEC. NO.			3-12-63	MS-3106
					ELEC. DES. APP.	MECH. DES. APP.	