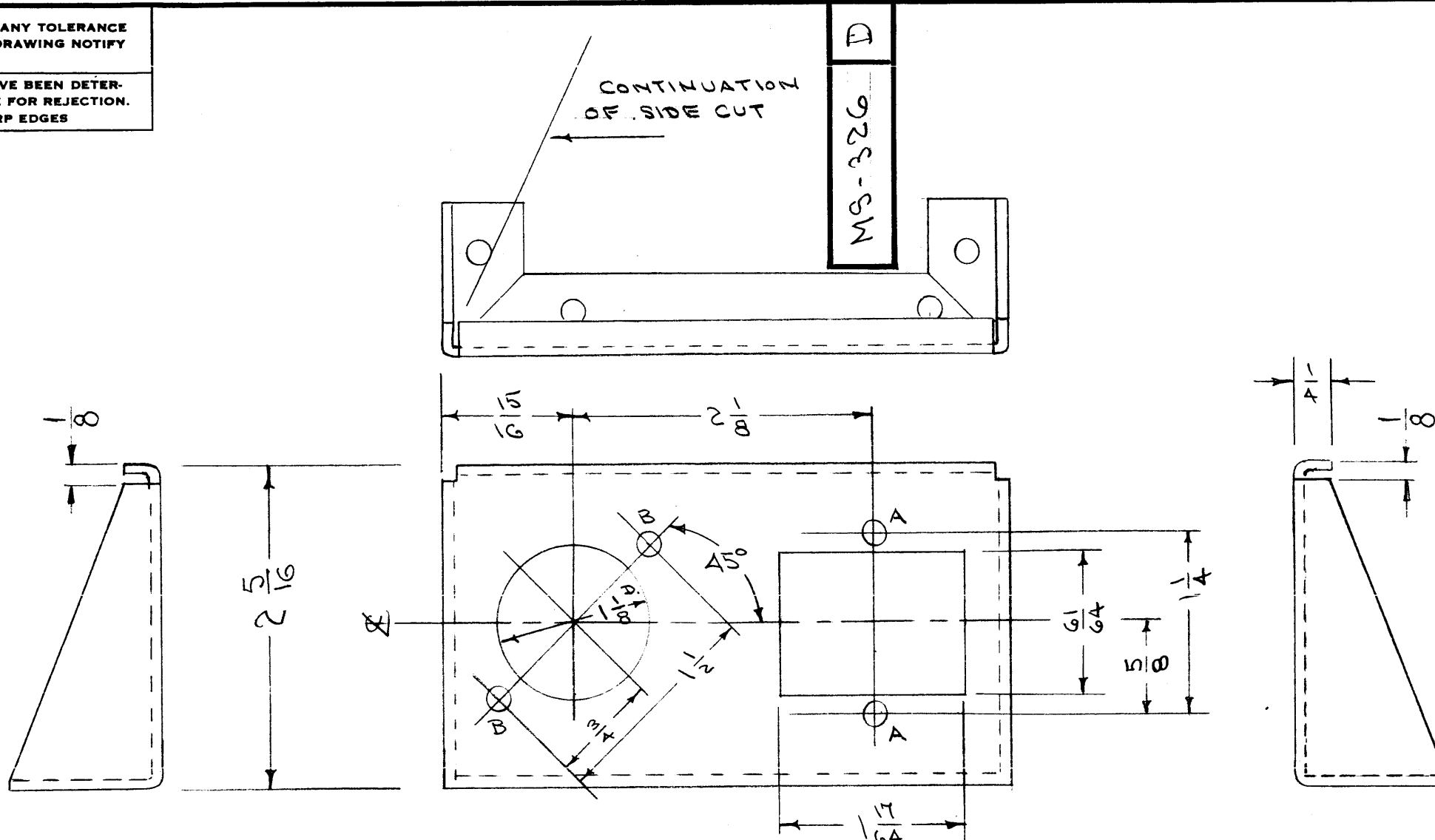


IF IT IS FOUND DESIRABLE TO CHANGE ANY TOLERANCE OR OTHER DETAIL SPECIFIED ON THIS DRAWING NOTIFY THE PURCHASER PROMPTLY.

MAXIMUM ALLOWABLE TOLERANCES HAVE BEEN DETERMINED AND DEVIATIONS WILL BE CAUSE FOR REJECTION. REMOVE ALL BURRS AND SHARP EDGES

A - 9/64 (.140) D. 2 HOLES REQ.  
 B - 1/64 (.156) D. 6 " "

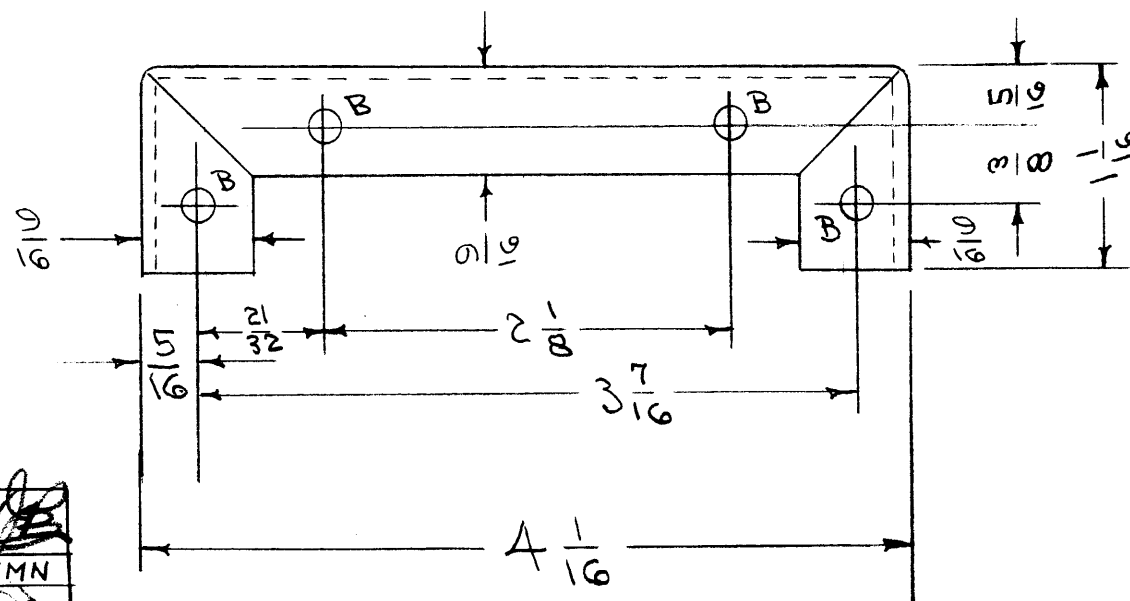


NOTICE TO PERSONS RECEIVING THIS DRAWING

THE TECHNICAL MATERIEL CORPORATION claims proprietary right in the material disclosed hereon. This drawing is issued in confidence for engineering information only and may not be reproduced or used to manufacture anything shown hereon without permission from THE TECHNICAL MATERIEL CORPORATION to the user. This drawing is loaned for mutual assistance and is subject to recall at any time.

Property of:

THE TECHNICAL MATERIEL CORPORATION  
 MAMARONECK, NEW YORK



D	2	ANGLE OF SIDE NOTCHES REDUCED	1/24/61	3960	DJ.M	JCS	
C	1	1/8" NOTCH ADDED	12/11/59	1001	AB		EMN
B	1	COMPLETE REVISION	1/4/55	2	EDD	JAD	

ISSUE	ITEM	CHANGED FROM	DATE	CN. NO.	DRAFTS	CHECKER	ENG. APP.
-------	------	--------------	------	---------	--------	---------	-----------

TOLERANCES		SCALE:
ALL OTHERS	DEC. DIM. ± FRAC. DIM. ± ANGULAR DIM. ±	DRILL, PUNCH, COMMERCIAL STOCK SIZES AND MANUFACTURERS TOLERANCES ARE NOT INCLUDED.

1	VOX-3,4,5		1-24-61	
1	VOX-1,2	291	1-14-55	
1	VOX		3-19-52	
REQ. PER UNIT	MODEL	PROJECT NO.	ASS'Y. NO.	DATE
USED ON				

REQ.	ITEM	PART NO.	DESCRIPTION	SYMBOL
		.051	THE TECHNICAL MATERIEL CORP. MAMARONECK, NEW YORK	
		ALUMINUM	RELAY BRACKET	
		52S H32	VOX	
			CDD. 1-14-55	JCS
			DRAWN	ELEC. DES. APP.
			JAD 1-17-55	MECH. DES. APP.
			CHECKED	FINAL APPROVAL
		S-404 YELLOW IRIDITE		
		FINISH & SPEC. NO.		
			MS-326 D	