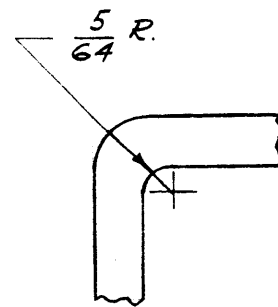


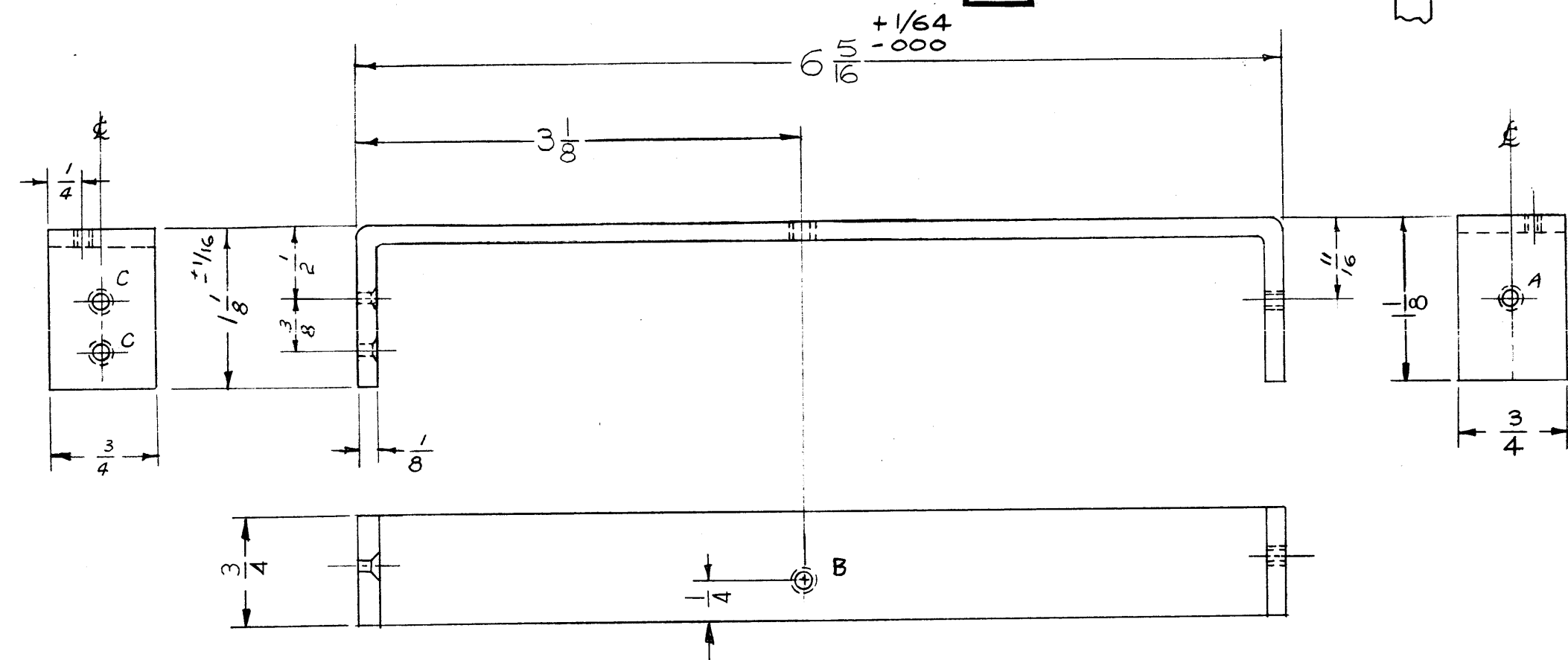
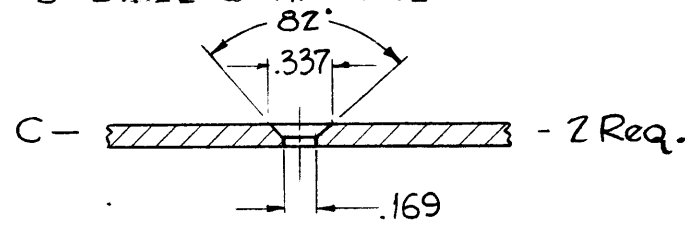
IF IT IS FOUND DESIRABLE TO CHANGE ANY TOLERANCE OR OTHER DETAIL SPECIFIED ON THIS DRAWING NOTIFY THE PURCHASER PROMPTLY.

MAXIMUM ALLOWABLE TOLERANCES HAVE BEEN DETERMINED AND DEVIATIONS WILL BE CAUSE FOR REJECTION. REMOVE ALL BURRS AND SHARP EDGES

MS-325 G



A= DRILL & TAP 8-32 1 HOLES  
B= DRILL & TAP 6-32 1 HOLE



NOTICE TO PERSONS RECEIVING THIS DRAWING

THE TECHNICAL MATERIEL CORPORATION claims proprietary right in the material disclosed hereon. This drawing is issued in confidence for engineering information only and may not be reproduced or used to manufacture anything shown hereon without permission from THE TECHNICAL MATERIEL CORPORATION to the user. This drawing is loaned for mutual assistance and is subject to recall at any time.

Property of:  
THE TECHNICAL MATERIEL CORPORATION  
MAMARONECK, NEW YORK

| G     | 4    | 3-1/8 DIM. WAS 3-7/32                 | 2-8-62  | 6328    |        |         |           |
|-------|------|---------------------------------------|---------|---------|--------|---------|-----------|
|       | 3    | 6-5/16 DIM. WAS 6-1/2 ± 1/32          |         |         |        |         |           |
|       | 2    | 1(A) HOLE DELETED, 2-1/8 DIM. DELETED |         |         |        |         |           |
|       | 1    | 1-1/8 DIM. WAS 4 ± 1/16 (Rt. Side)    |         |         |        |         |           |
| F     | 1    | (2) 'B' HOLES CHANGED TO 'C' HOLES    | 3-6-61  | 4327    |        |         |           |
| E     | 2    | 3 7/32 WAS 2 5/16                     | 1-24-55 | 5       |        |         |           |
|       | 1    | 6 1/2 WAS 6 7/16                      | 1-24-55 | 5       |        |         |           |
| ISSUE | ITEM | CHANGED FROM                          | DATE    | CN. NO. | DRAFTS | CHECKER | ENG. APP. |

|            |  |   |               |         |             |            |
|------------|--|---|---------------|---------|-------------|------------|
| TOLERANCES |  | SCALE:  | 1             | VOX-1-2 | 291         | 1-24-55    |
| ALL OTHERS | DEC. DIM. ±<br>FRAC. DIM. ± 1/64<br>ANGULAR DIM. ± | DRILL, PUNCH, COMMERCIAL STOCK<br>SIZES AND MANUFACTURERS<br>TOLERANCES ARE NOT INCLUDED. | 1             | VOX     | 101         | 1-24-55    |
|            |  |   | REQ. PER UNIT | MODEL   | PROJECT NO. | ASS'Y. NO. |
|            |  |   |               |         |             | DATE       |

|   |         |             |            |
|---|---------|-------------|------------|
| 1 | VOX-1-2 | 291         | 1-24-55    |
| 1 | VOX     | 101         | 1-24-55    |
|   | MODEL   | PROJECT NO. | ASS'Y. NO. |
|   |         |             | DATE       |

| REQ. | ITEM               | PART NO. | DESCRIPTION  | SYMBOL |
|------|--------------------|----------|--|--------|
|      | 1/8 x 3/4 BAR      |          | THE TECHNICAL MATERIEL CORP.<br>MAMARONECK, NEW YORK |        |
|      | STEEL              | — # —    | REAR BRACE   |        |
|      | COLD ROLLED        |          |  |        |
|      | TYPE & TEMPER      |          |  |        |
|      | HEAT TREAT. SPEC.  |          |  |        |
|      | FINISH & SPEC. NO. |          |  |        |
|      |                    |          | DRAWN<br>ELEC. DES. APP.<br>MECH. DES. APP.          |        |
|      |                    |          | CHECKED<br>FINAL APPROVAL                            |        |
|      |                    |          | MS-325   |        |