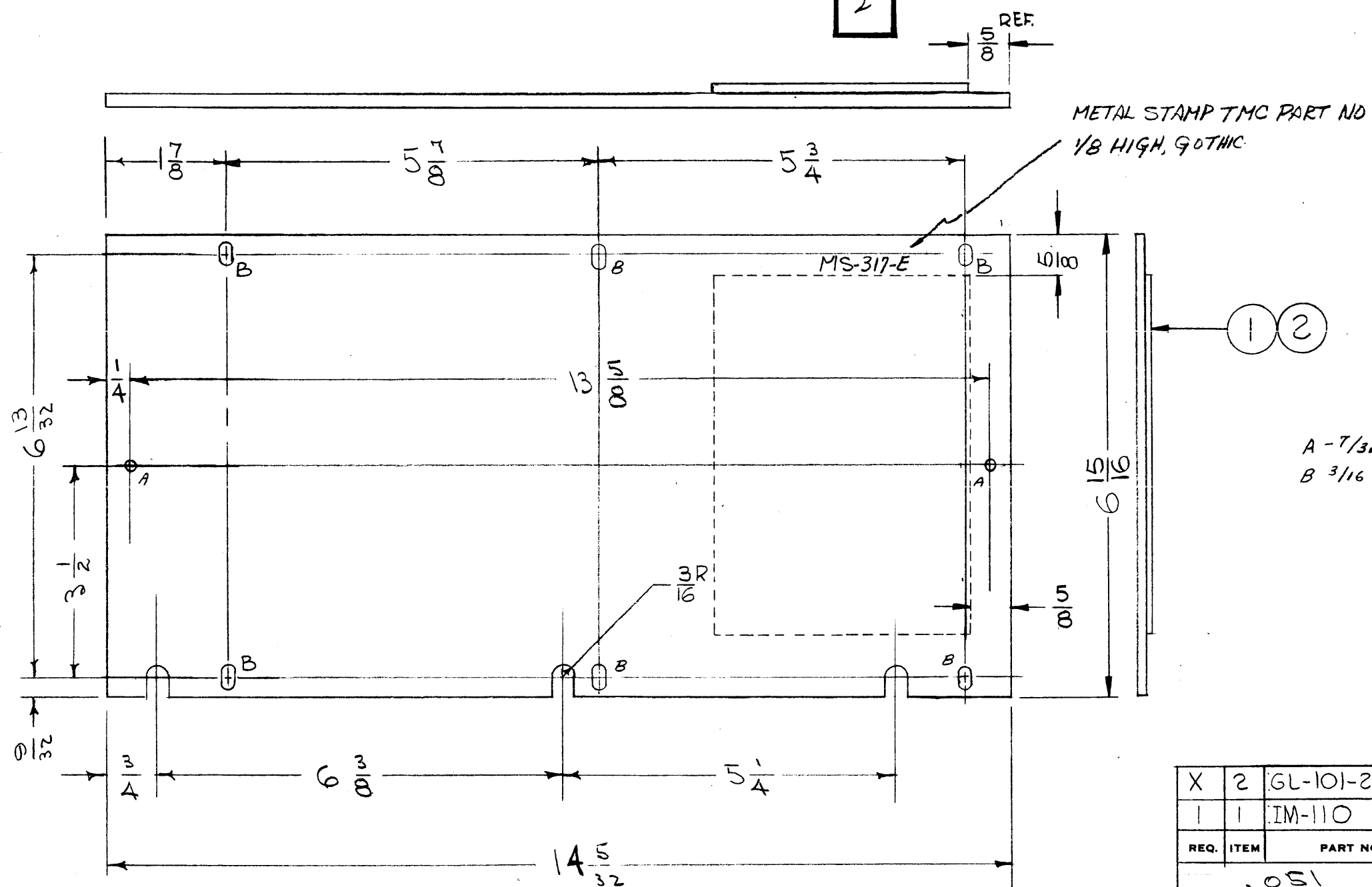


IF IT IS FOUND DESIRABLE TO CHANGE ANY TOLERANCE OR OTHER DETAIL SPECIFIED ON THIS DRAWING NOTIFY THE PURCHASER PROMPTLY.

MAXIMUM ALLOWABLE TOLERANCES HAVE BEEN DETERMINED AND DEVIATIONS WILL BE CAUSE FOR REJECTION. REMOVE ALL BURRS AND SHARP EDGES

MS-317 E



NOTE TO PERSONS RECEIVING THIS DRAWING

THE TECHNICAL MATERIEL CORPORATION claims proprietary right in the material disclosed hereon. This drawing is issued in confidence for engineering information only and may not be reproduced or used to manufacture anything shown hereon without permission from THE TECHNICAL MATERIEL CORPORATION to the user. This drawing is loaned for mutual assistance and is subject to recall at any time.

Property of:
THE TECHNICAL MATERIEL CORPORATION
MAMARONECK, NEW YORK

A - 7/32 (.218) D - 2 REQ.
B 3/16 x 1/4 SLOTS 6 REQ.

X	2	GL-101-2	CEMENT, PLIOBOND	
1	1	IM-110	INSULATOR, COVER	
REQ.	ITEM	PART NO.	DESCRIPTION	SYMBOL
		.051	THE TECHNICAL MATERIEL CORP. MAMARONECK, NEW YORK	
STOCK SIZE		ALUMINUM	BTM. COVER, R.F. CHASSIS	
MATERIAL		WEIGHT PER PC.		
52S-H 32				
TYPE & TEMPER		C.P.D. 2-2-55	DRAWN	
			ELEC. DES. APP.	
HEAT TREAT. SPEC.			MECH. DES. APP.	
S-404 YELLOW IRIDITE			CHECKED	
FINISH & SPEC. NO.			FINAL APPROVAL	
			MS-317 E	

E	1	DIM. 3-1/2 WAS 3-9/16	11-27-62	7703	EG	JL	GR
ISSUE	ITEM	CHANGED FROM	DATE	CN. NO.	DRAFTS	CHECKER	ENG. APP.
TOLERANCES		SCALE:					
ALL OTHERS	DEC. DIM. ±	DRILL, PUNCH, COMMERCIAL STOCK					
	FRAC. DIM. ±	SIZES AND MANUFACTURERS					
	ANGULAR DIM. ±	TOLERANCES ARE NOT INCLUDED.					
	REQ. PER UNIT	MODEL	PROJECT NO.	ASS'Y. NO.	DATE	USED ON	
	1	VOX-3,4,5,6			2-9-62		
	1	VOX-1			2-2-55		
	1	VOX			2-2-55		