

THE CONTENTS OF THIS DRAWING ARE THE EXCLUSIVE PROPERTY OF THE TECHNICAL MATERIEL CORP. ITS UNAUTHORIZED USE FOR REPRODUCTION IN WHOLE OR IN PART IS STRICTLY FORBIDDEN.

REQ. PER UNIT

USED ON

MODEL

ASS'Y. NO.

DATE

1

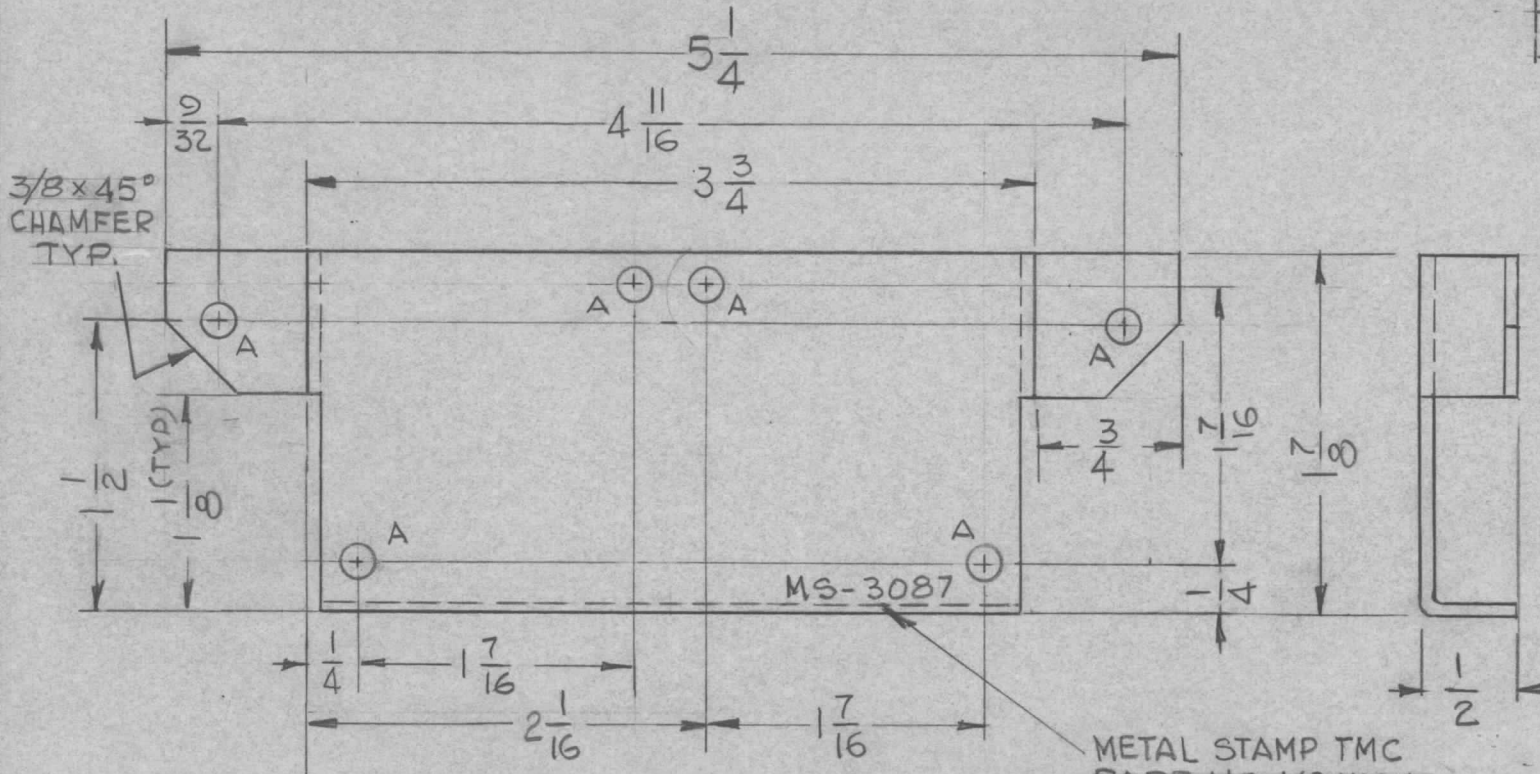
LSP-11

A-3115

2-23-63

MS-3087

HOLE	DESCRIPTION	REQ.
A	3/16 DIA.	6



METAL STAMP TMC PART NO 1/8 HIGH GOTHIC AS SHOWN

REF: LD-1184

SYM	DESCRIPTION	DATE	CH. NO.	DRAFTS	CHECKER	ENG. APP.	REQ. ITEM	PART NO.	STRUMER DESCRIPTION	SYMBOL	
							.064 THK.		THE TECHNICAL MATERIEL CORP. MAMARONECK, NEW YORK		
							STOCK SIZE				
							ALUMINUM		BRACKET, MOUNTING TRANSFORMER		
							MATERIAL				
UNLESS OTHERWISE SPECIFIED DIMENSIONS ARE IN INCHES AND INCLUDE CHEMICALLY APPLIED OR PLATED FINISHES							SCALE	5052-H32	G.D.L	3/7/63	BP
							DO NOT SCALE				
TOLERANCES							CODE	S404 YEL. IRIDITE	AMA	3/7/63	MS-3087
DECIMALS .X ± .05 .XX ± .01 .XXX ± .005								FINISH & SPEC. NO.	ELEC. DES. APP.	MECH. DES. APP.	
FRACTIONS ± 1/64 ANGLES ± 0° 30'											