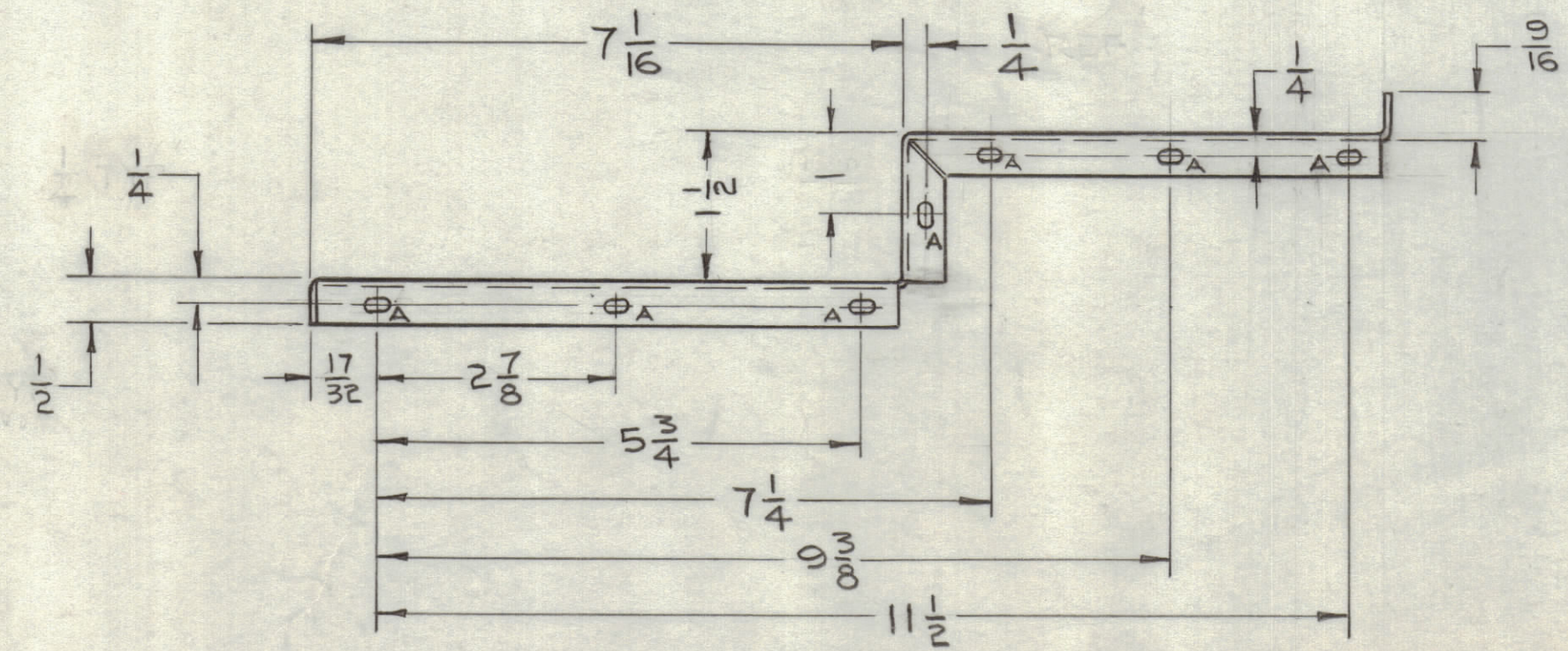
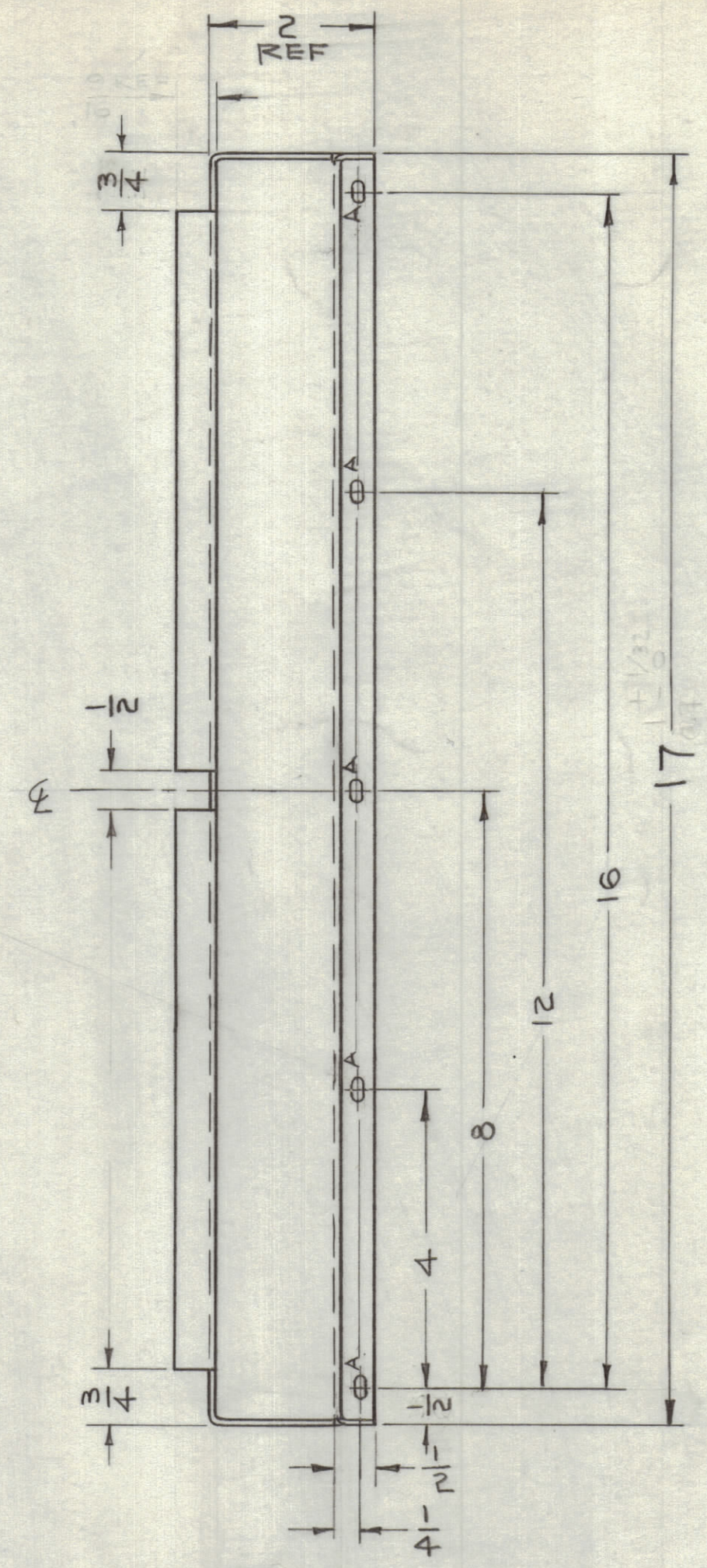
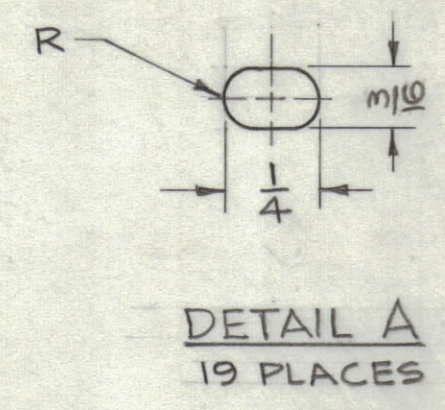
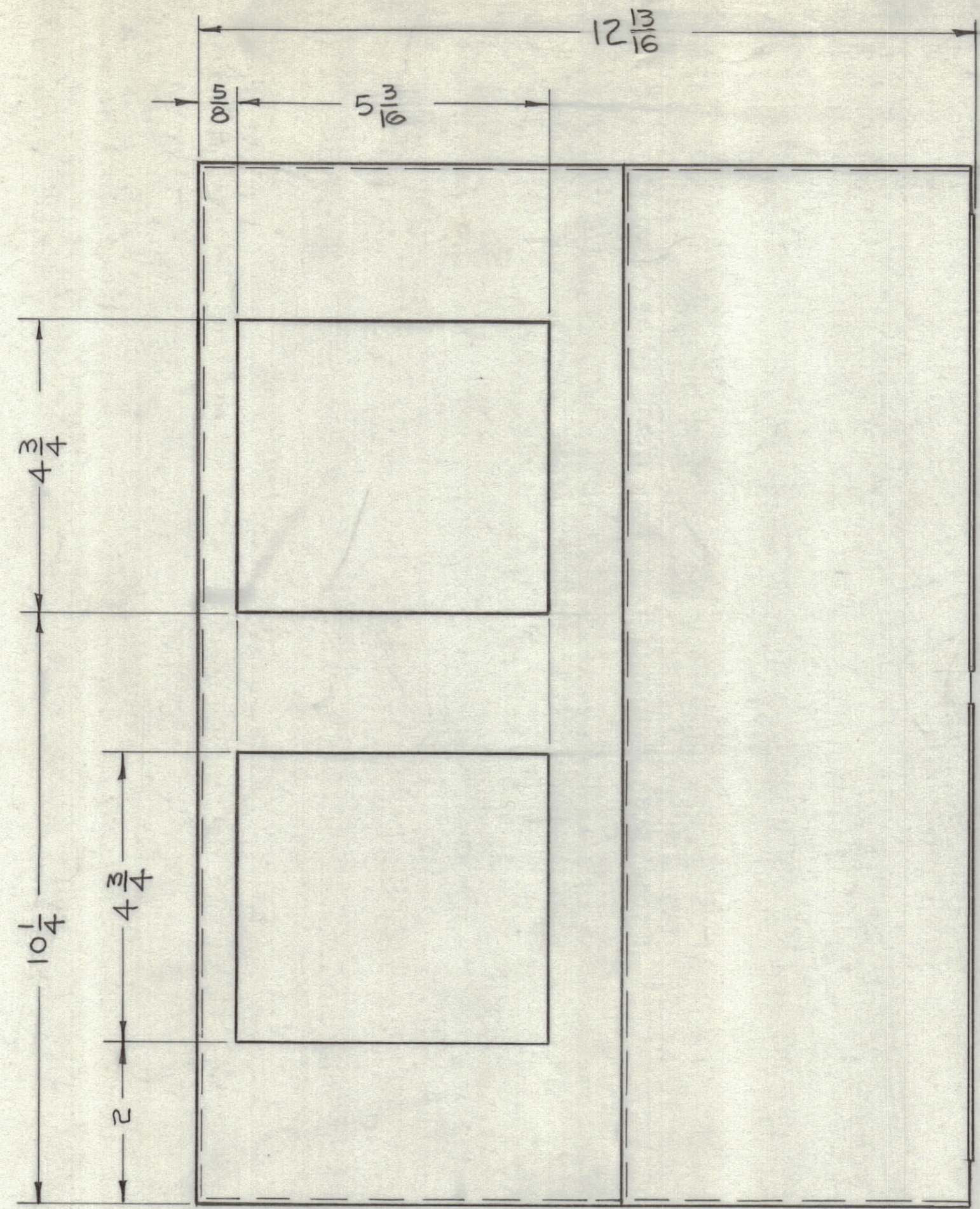


REVISIONS							
ZONE	SYM	DESCRIPTION	DATE	E.M.N. NO.	DRAFT	CHKD	APPD



- NOTES:
1. INSIDE BEND RADII 1/32 MAX.
 2. REMOVE ALL BURRS AND SHARP EDGES.
 3. FINISH: ALL OVER.

DEGREASE: AS PER TMC SPEC S-371
 PRIME: AS PER TMC SPEC S-520
 PAINT: BLUE-GREY TEXTURED VINYL PER TMC SPEC S-520.

MS-3078

NOTES

Q'TY./UNIT	MODEL USED ON	ASS'Y. NO.
SCALE	CODE	
NO SCALE		
THE CONTENTS OF THIS DRAWING ARE THE EXCLUSIVE PROPERTY OF THE TECHNICAL MATERIEL CORP. ITS UNAUTHORIZED USE OR REPRODUCTION IN WHOLE OR IN PART IS STRICTLY FORBIDDEN.		

REQ'D.	ITEM	PART NUMBER	DESCRIPTION	SYMBOL
KRUJ LIST OF MATERIAL				
MATERIAL		THE TECHNICAL MATERIEL CORP. MAMARONECK, NEW YORK		
FINISH		TITLE		
18 GA. STEEL SHEET		COVER, FAN CHASSIS		
SEE NOTE 3		DRAWN <i>JAK</i> DATE 1-8-63		
UNLESS OTHERWISE SPECIFIED DIMENSIONS ARE IN INCHES AND INCLUDE CHEMICALLY APPLIED OR PLATED FINISHES		CHECKED <i>HDE</i> DATE 3/2/63		
DECIMALS .X ± .05 .XX ± .01 .XXX ± .005		ELECT. DES. DATE		
FRACTIONS ± 1/64 ANGLES ± 0° 30'		MECH. DES. DATE		
TOLERANCES		DATE 1-8-63 SHEET		
		FINAL APPROVAL <i>BP</i> DATE		
		MS-3078		
		REV. LTR.		