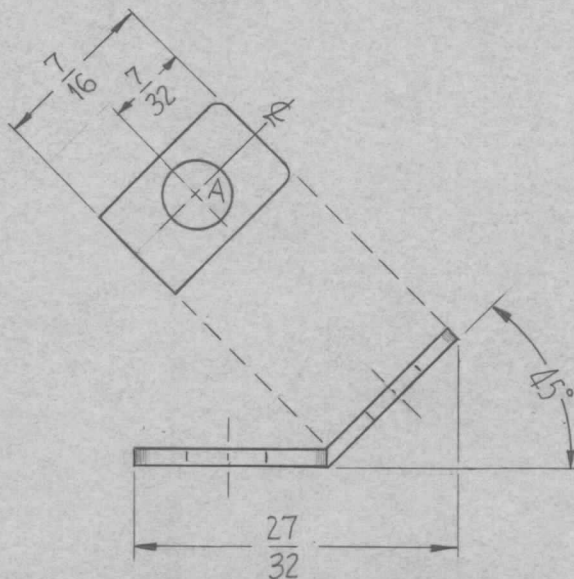
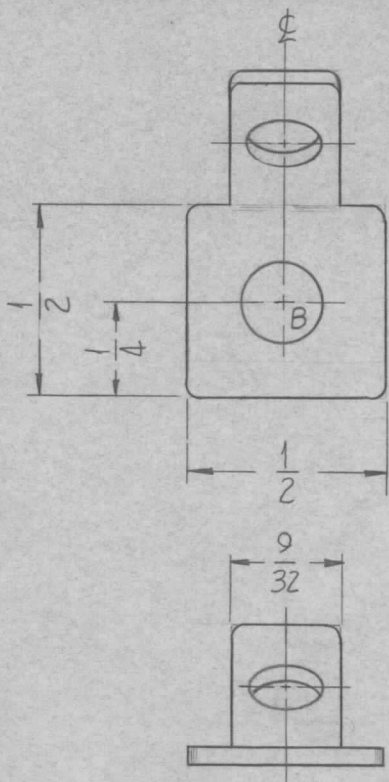
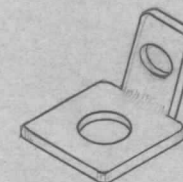


THE CONTENTS OF THIS DRAWING ARE THE EXCLUSIVE PROPERTY OF THE TECHNICAL MATERIEL CORP. ITS UNAUTHORIZED USE FOR REPRODUCTION IN WHOLE OR IN PART IS STRICTLY FORBIDDEN.

REQ. PER UNIT 16	USED ON			MS-3071	O
	MODEL GPT-200K	ASS'Y. NO. A-3122	DATE 10-25-62		



HOLE	DESCRIPTION	REQ.
A	11/64 DIA.	1
B	13/64 DIA.	1



— ISOMETRIC VIEW —

NOTE:
ROUND ALL CORNERS

REQ.	ITEM	PART NO.	F. BUDETTI	DESCRIPTION	SYMBOL
		.064 THICK	THE TECHNICAL MATERIEL CORP. MAMARONECK, NEW YORK		
		STOCK SIZE	BRACKET, TERMINAL MOUNTING		
		COPPER	MATERIAL		
		1/2 HARD	SRG		RAC
		TYPE & TEMPER	HEAT TREAT. SPEC.	DRAWN	CHECKED
		NATURAL		J.B.H. etc 11/2/62	
		FINISH & SPEC. NO.	ELEC. DES. APP.	MECH. DES. APP.	MS-3071 O
UNLESS OTHERWISE SPECIFIED DIMENSIONS ARE IN INCHES AND INCLUDE CHEMICALLY APPLIED OR PLATED FINISHES		SCALE	2:1		
DECIMALS .X ± .05 .XX ± .01 .XXX ± .005	TOLERANCES	FRACTIONS ± 1/64 ANGLES ± 0° 30'	CODE	A	