

7

6

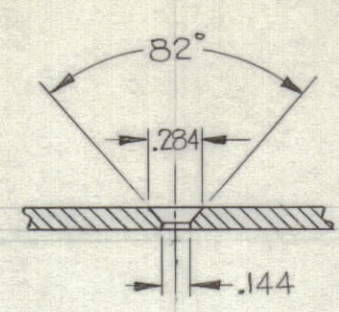
5

4

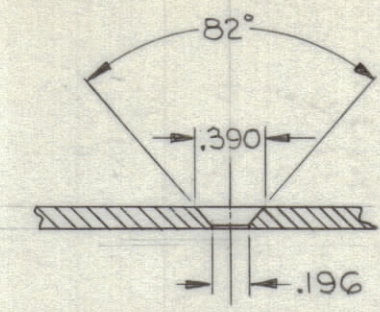
3

2

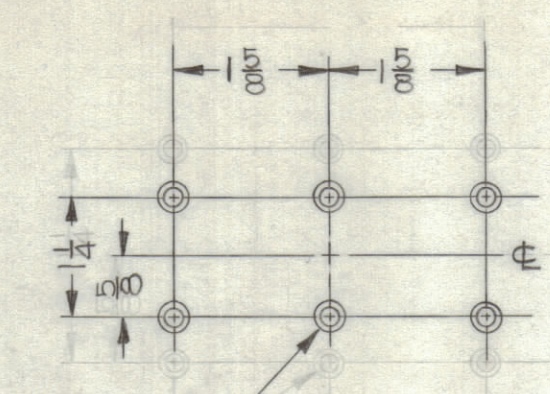
1



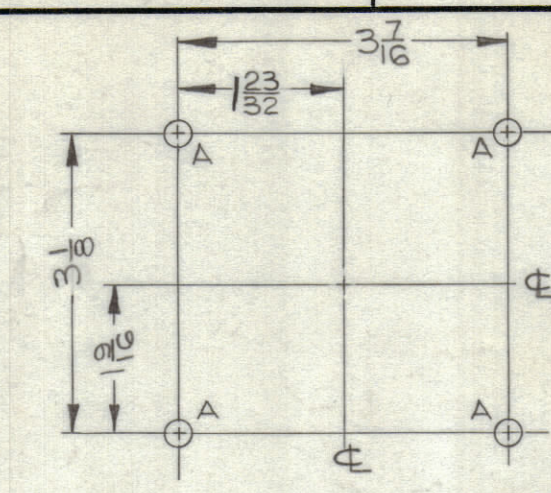
DETAIL "C"
(6 REQ)



DETAIL "D"
(4 REQ)



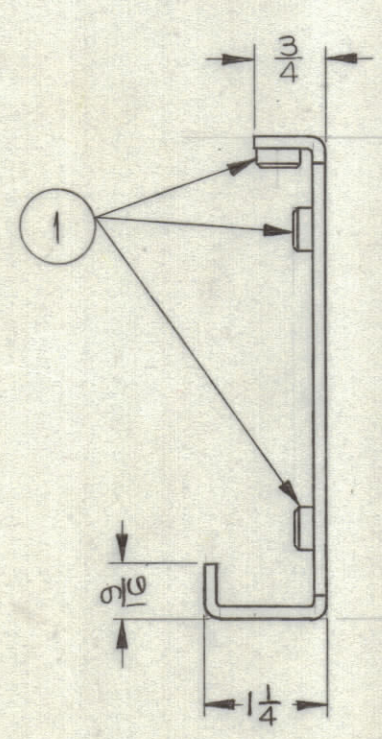
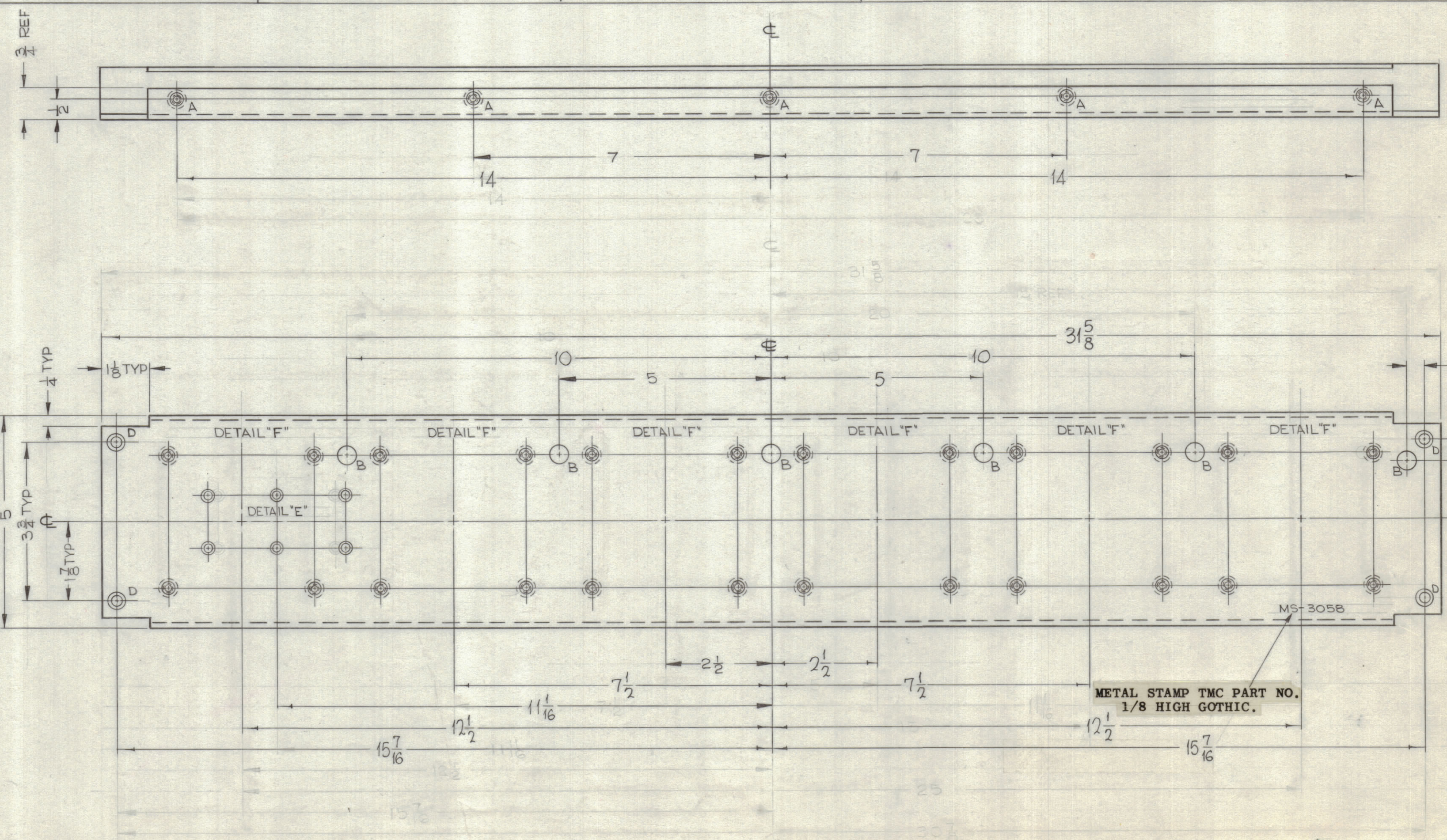
SEE DETAIL "C"
DETAIL "E"
(1 REQ)



DETAIL "F"
(6 REQ)

REVISIONS					
ZONE	SYM	DESCRIPTION	DATE	E.M.N. NO.	APPD
	0	RELEASED FOR PRODUCTION	2/28/64	A.M.	(Signature)

HOLES
 A. - .253-.250 DIA ——— 29 REQ
 B. - 13/32 DIA ——— 6 REQ



- UNLESS OTHERWISE SPECIFIED:
1. USE MATERIAL THICKNESS FOR MAXIMUM RADIUS ON ALL BENDS.
 2. ALL ANGULAR BENDS 90°.
 3. REMOVE ALL BURRS AND SHARP EDGES.
 4. MOUNT INSERTS AFTER FINISHING.

NOTES

THE CONTENTS OF THIS DRAWING ARE THE EXCLUSIVE PROPERTY OF THE TECHNICAL MATERIEL CORP. ITS UNAUTHORIZED USE OR REPRODUCTION IN WHOLE OR IN PART IS STRICTLY FORBIDDEN.

29		1		NT-129-1032-G		NUT, ROUND, SWAGE TYPE	
REQ'D.	ITEM	PART NUMBER		DESCRIPTION		SYMBOL	
F. BUDETTI				LIST OF MATERIAL			
MATERIAL ALUMINUM, 5052-H32 1/8 THICK				THE TECHNICAL MATERIEL CORP. MAMARONECK, NEW YORK			
FINISH S404 - IRIDITE				TITLE CHASSIS, TRANSFORMER MTG.			
QTY./UNIT		MODEL USED ON		ASS'Y. NO.		DRAWN	
SCALE		CODE		DATE		DATE	
1:2		A		2/19/63		2/19/63	
UNLESS OTHERWISE SPECIFIED DIMENSIONS ARE IN INCHES AND INCLUDE CHEMICALLY APPLIED OR PLATED FINISHES				CHECKED		DATE	
DECIMALS .X ± .05 .XX ± .01 .XXX ± .005				TOLERANCES		DATE	
FRACTIONS ± 1/64 ANGLES ± 0° 30'				MECH. DES.		DATE	
				2/17/64		2/17/64	
REF: LD-1168						MS-3058	
29						1	
NT-129-1032-G						NUT, ROUND, SWAGE TYPE	
F. BUDETTI						LIST OF MATERIAL	
ALUMINUM, 5052-H32						THE TECHNICAL MATERIEL CORP.	
1/8 THICK						MAMARONECK, NEW YORK	
S404 - IRIDITE						TITLE	
CHASSIS, TRANSFORMER MTG.						DATE	
DATE						DATE	
2/19/63						2/19/63	
DATE						DATE	
2/17/64						2/17/64	
MS-3058						SHEET	
						REV. LTR.	

MS-3058
0

7

6

5

4

3

2

1