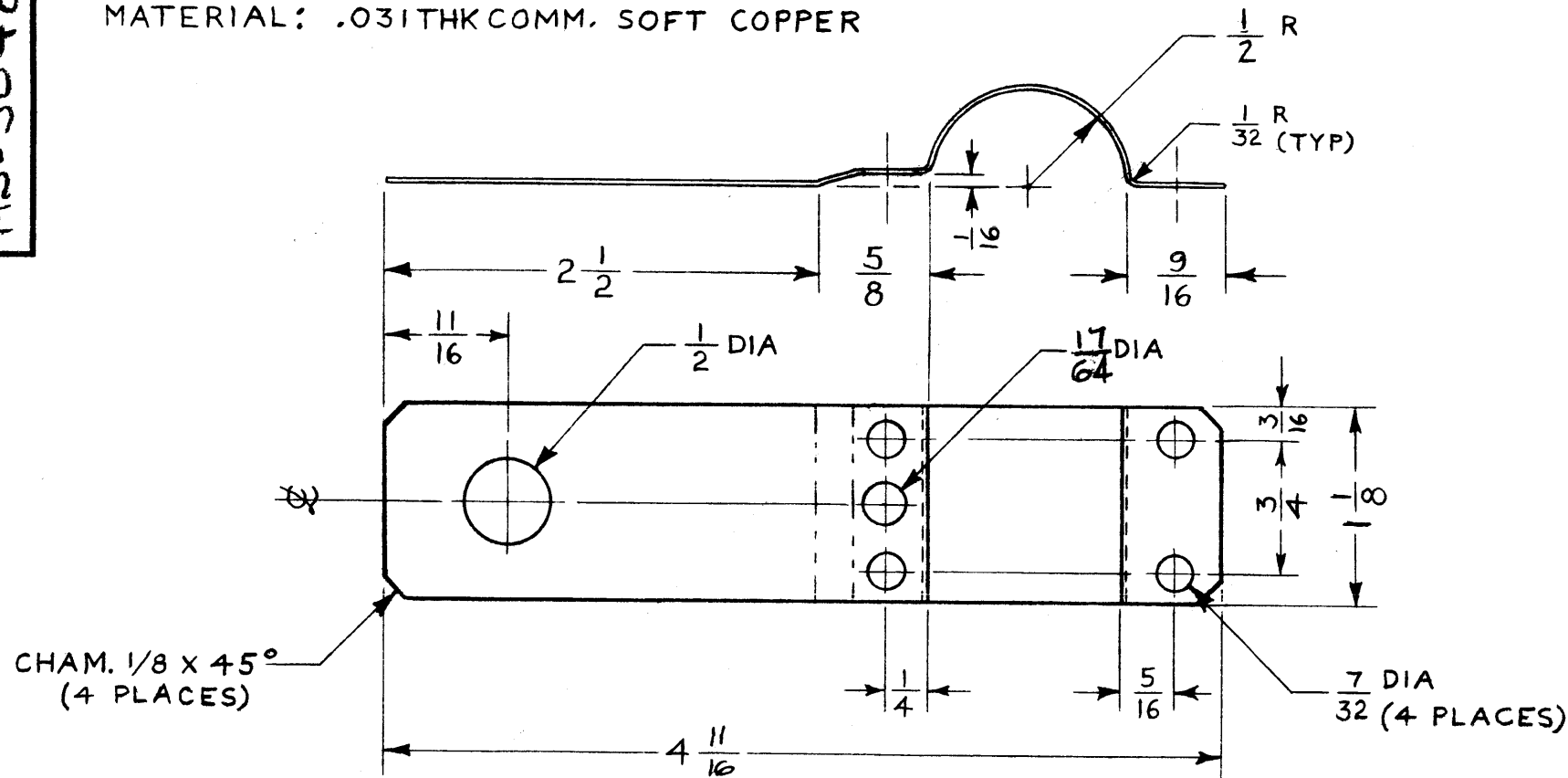


THE CONTENTS OF THIS DRAWING ARE THE EXCLUSIVE PROPERTY OF THE TECHNICAL MATERIEL CORP. ITS UNAUTHORIZED USE OR REPRODUCTION IN WHOLE OR IN PART IS STRICTLY FORBIDDEN.

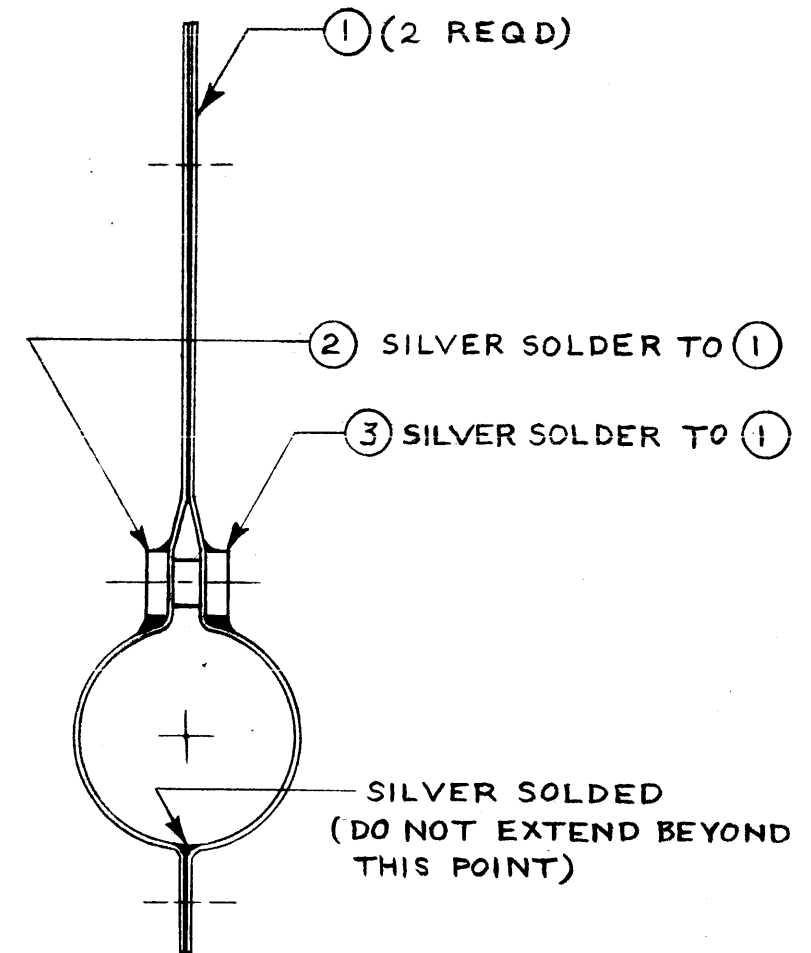
MS-3048

MATERIAL: .031THK COMM. SOFT COPPER

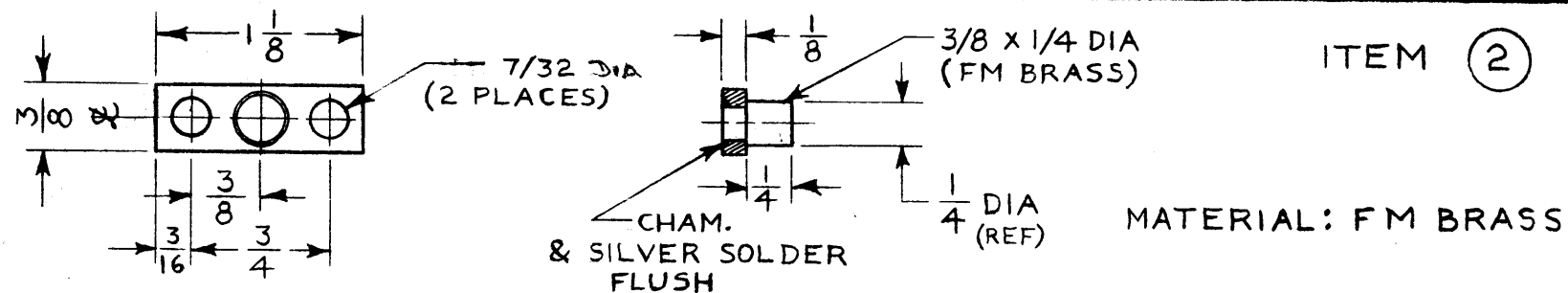
ITEM ①



FINISH: AFTER SILVER SOLDERING ITEMS
① ② ③ SILVER PLATE - S245 & IRIDITE S423.

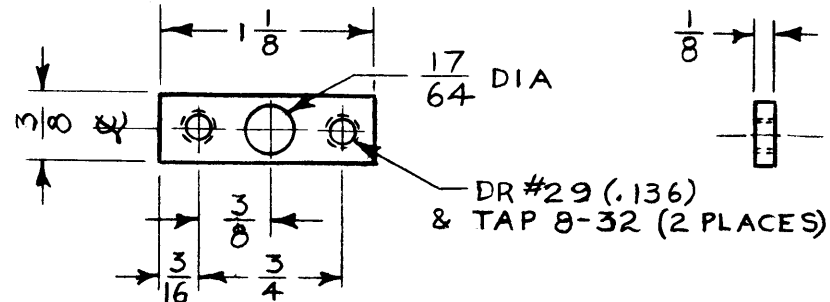


ASSEMBLY



ITEM ②

MATERIAL: FM BRASS



ITEM ③

MATERIAL: FM BRASS

SYM	DESCRIPTION	DATE	CH. NO.	DRAFTS	CHECKER	ENG. APP.
A	1/2 R WAS 9/16 ; 4-11/16 WAS 4-3/4	12-7-62	7798			

UNLESS OTHERWISE SPECIFIED:
DIMENSIONS ARE IN INCHES
TOLERANCES ON
FRACTIONS ± 1/64 DECIMALS ± .05 ANGLES ± 1/2°

SCALE: 1:1
MAXIMUM ALLOWABLE TOLERANCES HAVE BEEN DETERMINED AND ANY DEVIATIONS WILL BE CAUSE FOR REJECTION.
REMOVE ALL BURRS AND SHARP EDGES

REQ. PER UNIT	1	GPT-40K	AX-275	11/8/62
		MODEL	SECTION	ASS'Y. NO.
				DATE

REQ. ITEM	PART NO.	DESCRIPTION	SYMBOL
AS NOTED		THE TECHNICAL MATERIEL CORP. MAMARONECK, NEW YORK	
AS NOTED		STRAP, CONNECTING	
AS NOTED		FILAMENT COIL	
		TYPE & TEMPER	HEAT TREAT. SPEC.
		AS NOTED	
		FINISH & SPEC. NO.	
		ELEC. DES. APP.	MECH. DES. APP.
			MS-3048