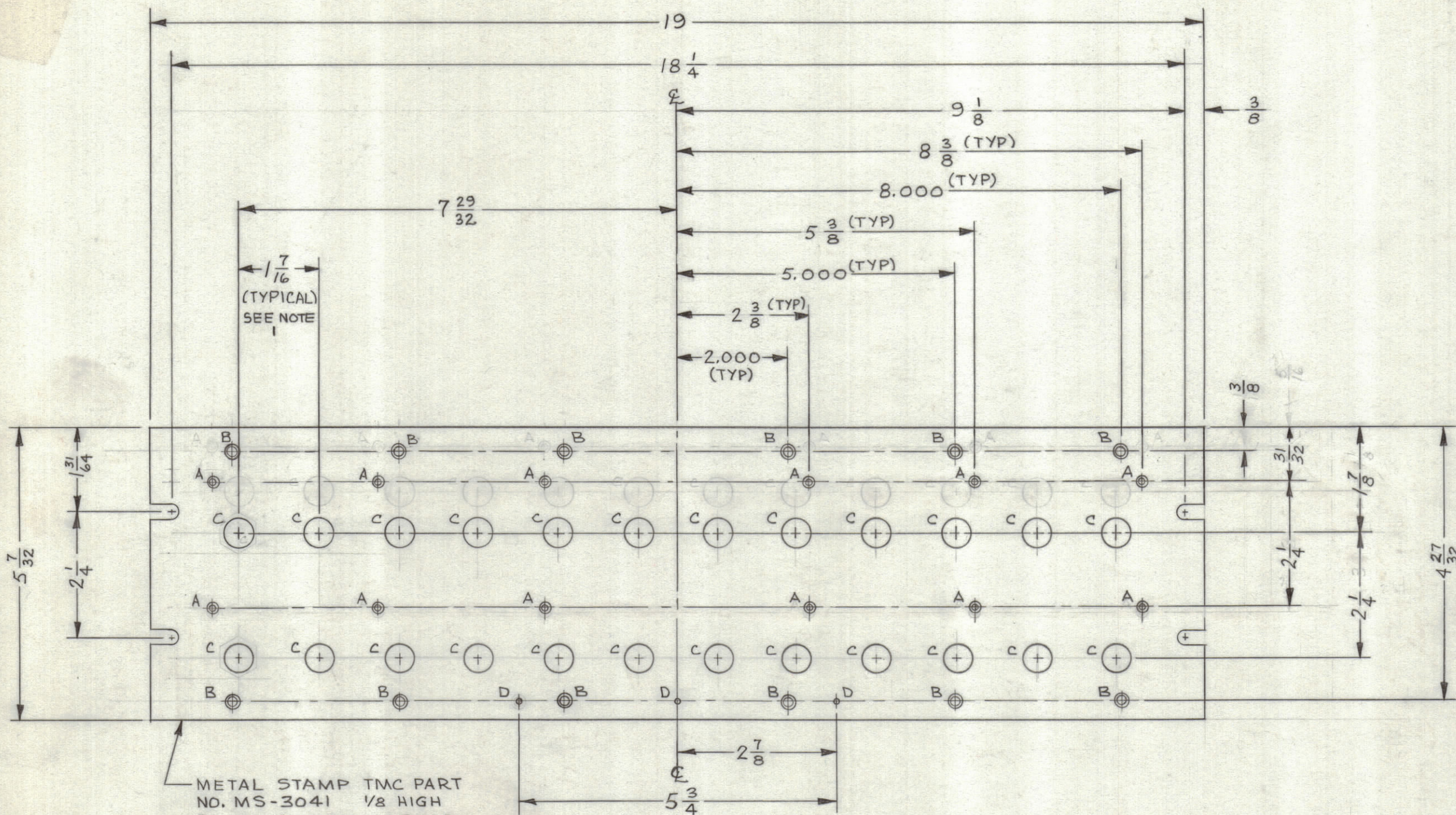
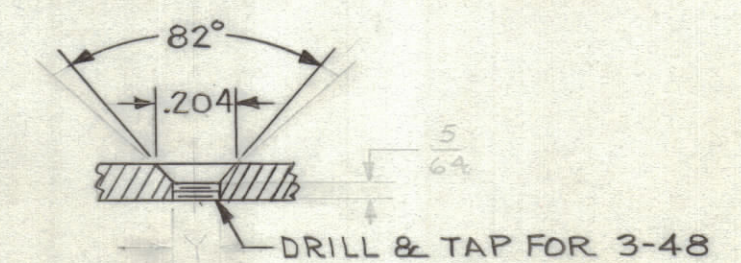


REVISIONS							
ZONE	SYM	DESCRIPTION	DATE	E.M.N. NO.	DRAFT	CHKD	APPD

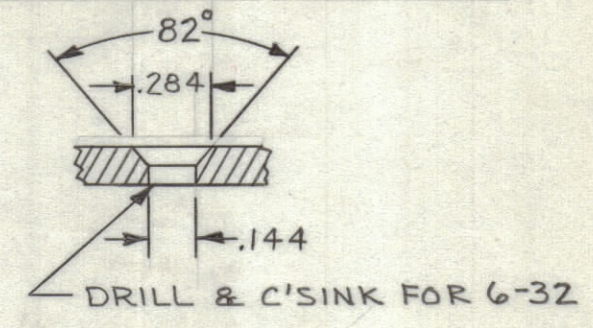


HOLE	DESCRIPTION	REQ.
A	SEE DETAIL C'SINK	12
B	SEE DETAIL C'SINK	12
C	.515 DIA.	24
D	.0785 DIA.	3

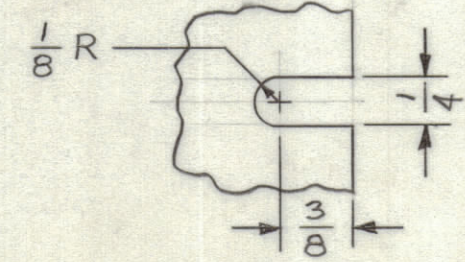


"A" HOLE DETAIL

HOLE	TYPE	X	Y
A	3-48	.204	DRILL & TAP 3-48
B	6-32	.284	.144 DIA.



"B" HOLE DETAIL



PANEL MTG HOLE DETAIL (4 REQ)

- MACHINING NOTES:**
- LATERAL BOW OF PANEL MUST BE KEPT .031 TOLERANCE.
 - MILL ALL EDGES.
 - HOLES MUST BE FREE OF ALL MACHINING MARKS, GOUGES AND SCRATCHES IF NECESSARY, SAND FRONT OF PANEL WITH NO. 120 GRIT SANDPAPER.

- FINISHING NOTES:**
- S404 IRIDITE
 - S114 ZINC CHROMATE PRIMER
 - S115 TMC SMOOTH GRAY ENAMEL
- FRONT AND EDGES ONLY

METAL STAMP TMC PART NO. MS-3041 1/8 HIGH BLACK GOTHIC ON REAR OF PANEL.

NOTE:
1. TOLERANCE ARE NOT ACCUMULATIVE.

NOTICE TO PERSONS RECEIVING THIS DRAWING
THE TECHNICAL MATERIEL CORPORATION claims proprietary right in the material disclosed hereon. This drawing is issued in confidence for engineering information only and may not be reproduced or used to manufacture anything shown hereon without permission from THE TECHNICAL MATERIEL CORPORATION to the user. This drawing is loaned for mutual assistance and is subject to recall at any time.

Property of:
THE TECHNICAL MATERIEL CORPORATION
MAMARONECK, NEW YORK

NOTES

QTY./UNIT	MODEL USED ON	ASS'Y. NO.
DO NOT SCALE	S-401-184	

REQ'D.	ITEM	PART NUMBER	DESCRIPTION	SYMBOL
MARTINENGO LIST OF MATERIAL				
MATERIAL		3/16 ALUMINUM 2024-T3	THE TECHNICAL MATERIEL CORP. MAMARONECK, NEW YORK	
FINISH		SEE FINISHING NOTES	PANEL, FRONT MACHINING	
UNLESS OTHERWISE SPECIFIED DIMENSIONS ARE IN INCHES AND INCLUDE CHEMICALLY APPLIED OR PLATED FINISHES		DRAWN M. TANTILLO	DATE 11-15-62	FINAL APPROVAL <i>[Signature]</i> DATE 12/1/62
DECIMALS .X ± .05 .XX ± .01 .XXX ± .005		TOLERANCES		ELECT. DES. <i>[Signature]</i> DATE 12/1/62
FRACTIONS ± 1/64 ANGLES ± 0° 30'		MECH. DES. <i>[Signature]</i> DATE 12/1/62		MS-3041 SHEET
THE CONTENTS OF THIS DRAWING ARE THE EXCLUSIVE PROPERTY OF THE TECHNICAL MATERIEL CORP. ITS UNAUTHORIZED USE OR REPRODUCTION IN WHOLE OR IN PART IS STRICTLY FORBIDDEN.				REV. LTR.

MS-3041