

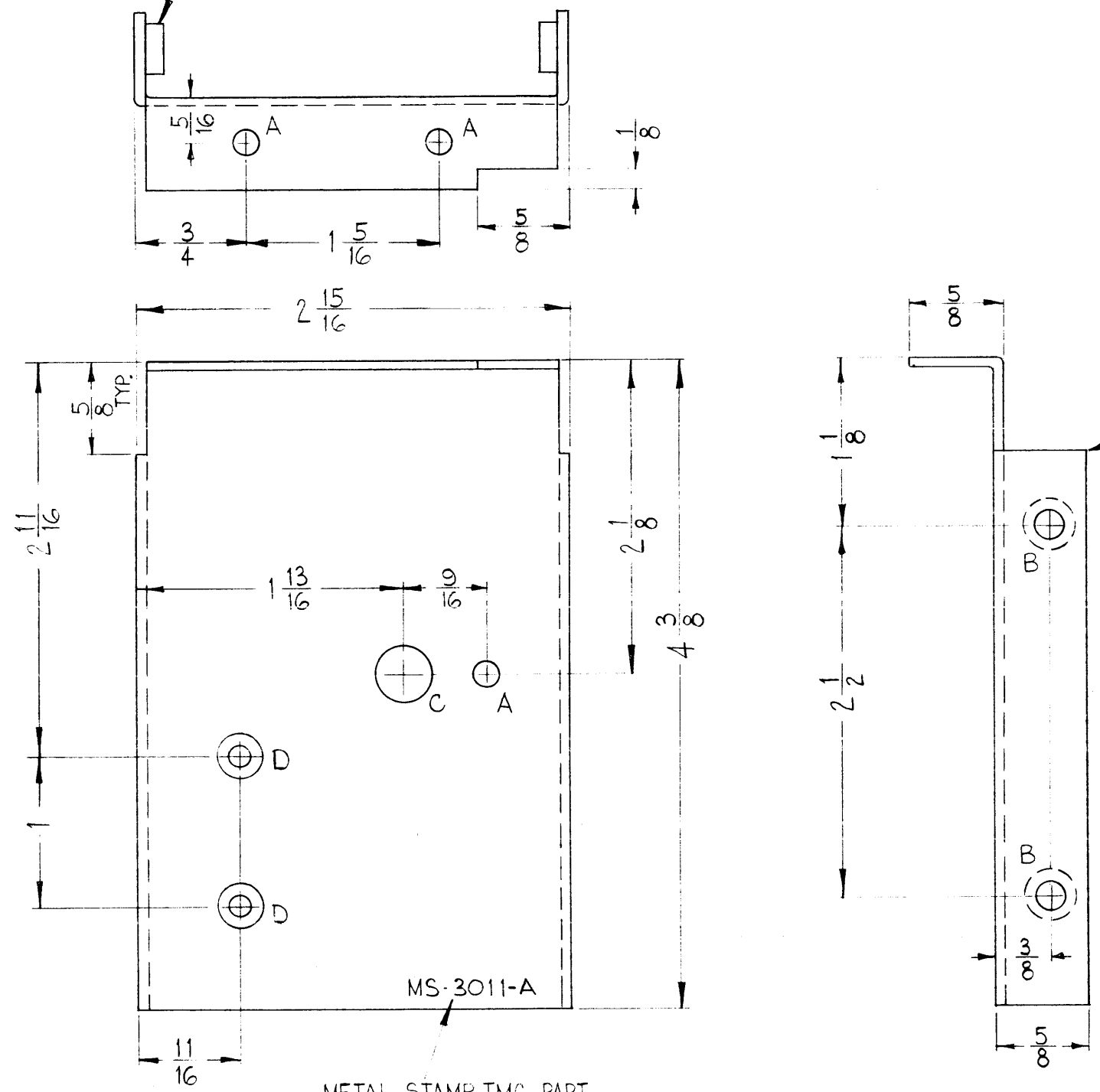
MS-3011

A

REVISIONS

SYM	DESCRIPTION	DATE	E.M.N. NO.	DRAFT	CHKD	APPD
A	REF: LD-1102 ADDED	11-27-63	10454	GF	@	VSS

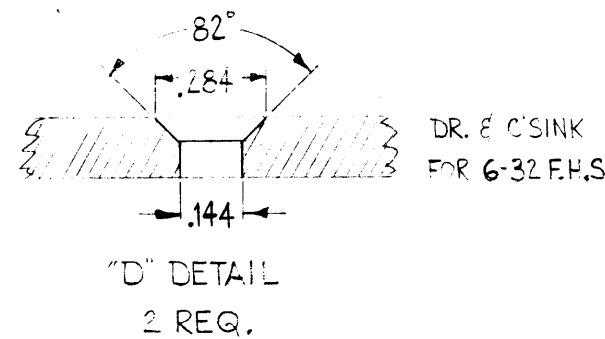
1 MOUNT ITEM 1 IN ALL "B" HOLES AS SHOWN AFTER FINISHING.



LEGEND		
HOLE	DESCRIPTION	REQ.
A	11/64 DIA.	3
B	.191-.194 DIA.	4
C	3/8 DIA.	1

NOTICE TO PERSONS REVIEWING THIS DRAWING

THE TECHNICAL MATERIEL CORPORATION claims proprietary right in the material disclosed herein. This drawing is issued in confidence for engineering information only and may not be reproduced or used to manufacture anything shown herein without permission from THE TECHNICAL MATERIEL CORPORATION to the user. This drawing is prepared for mutual assistance and is subject to recall at any time.



Property of:
THE TECHNICAL MATERIEL CORPORATION
MAMARONECK, NEW YORK

REF: LD-1102

REQ'D.	ITEM	PART NUMBER	DESCRIPTION	SYMBOL
4	1	NT-129-0632-4	NUT, ROUND, SWAGE TYPE	B

J. STRUMER		LIST OF MATERIAL	
MATERIAL	.064 THK. ALUMINUM 5052-H32	THE TECHNICAL MATERIEL CORP. MAMARONECK, NEW YORK	
FINISH	S404 YEL. IRIDITE	TITLE PLATE, FRONT, SWITCH MOUNTING (3400 DECK)	

UNLESS OTHERWISE SPECIFIED DIMENSIONS ARE IN INCHES AND INCLUDE CHEMICALLY APPLIED OR PLATED FINISHES		DRAWN W.A. Franco		DATE 8-20-62		FINAL APPROVAL		DATE	
DECIMALS .X ± .05 .XX ± .01 .XXX ± .005	TOLERANCES	FRACTIONS ± 1/64 ANGLES ± 0° 30'	CHECKED	DATE 8-20	DATE 8-20	MS-3011		A	
			ELECT. DES.	DATE	DATE	SHEET		REV. LTR.	

USE MATERIAL THICKNESS FOR MAX. RADIUS ON ALL BENDS UNLESS OTHERWISE SPECIFIED

NOTES

Q'TY./UNIT	MODEL USED ON	ASS'Y. NO.
1	HFS-1	3400 DECK
SCALE	CODE	
FULL (Do Not Scale)		
THE CONTENTS OF THIS DRAWING ARE THE EXCLUSIVE PROPERTY OF THE TECHNICAL MATERIEL CORP. ITS UNAUTHORIZED USE OR REPRODUCTION IN WHOLE OR IN PART IS STRICTLY FORBIDDEN.		