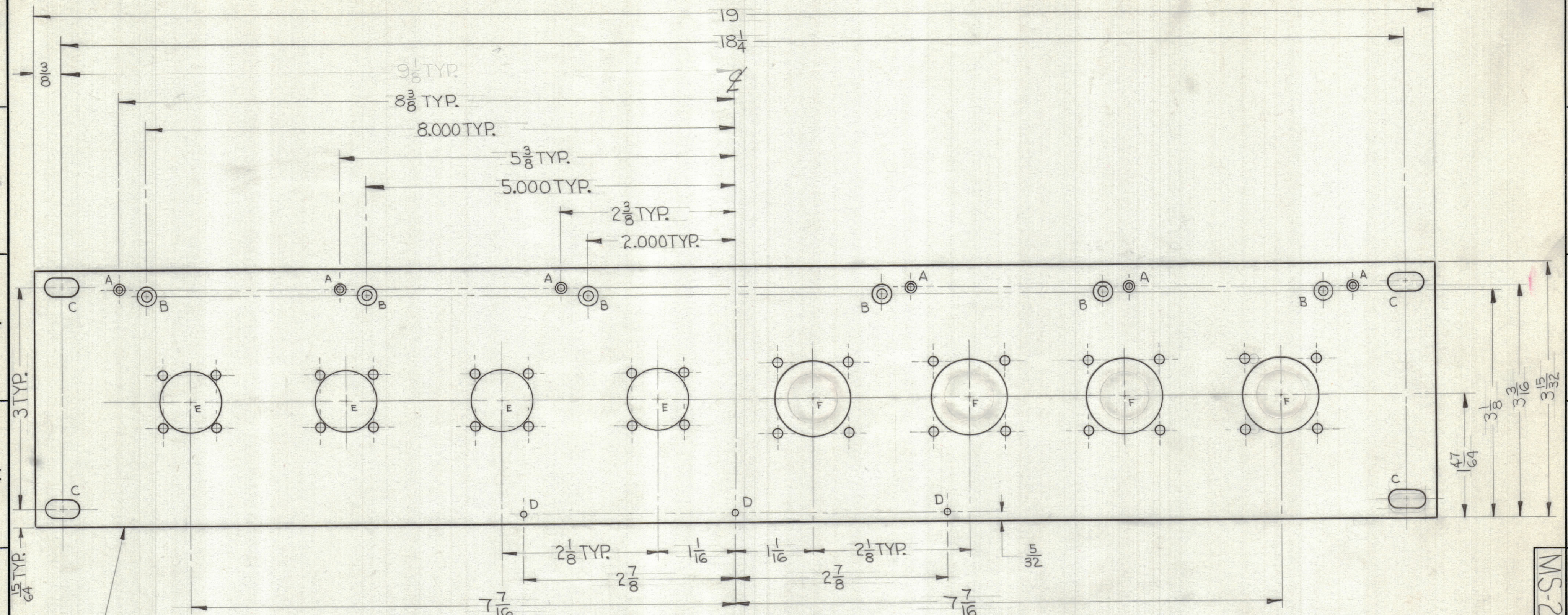


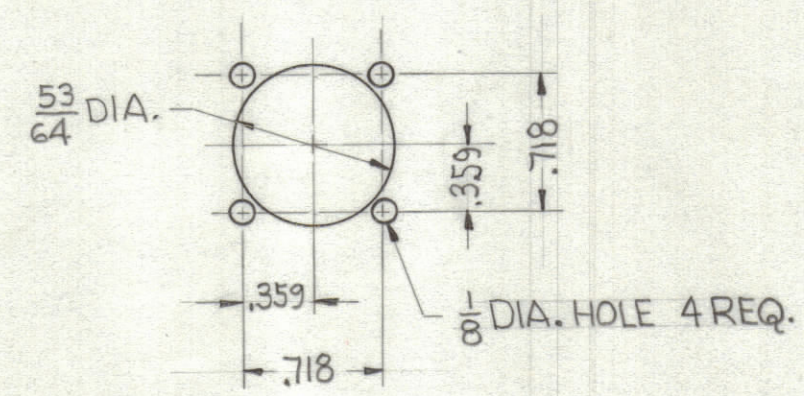
REVISIONS						
ZONE	SYM	DESCRIPTION	DATE	E.M.N. NO.	DRAFT	CHKD APPD



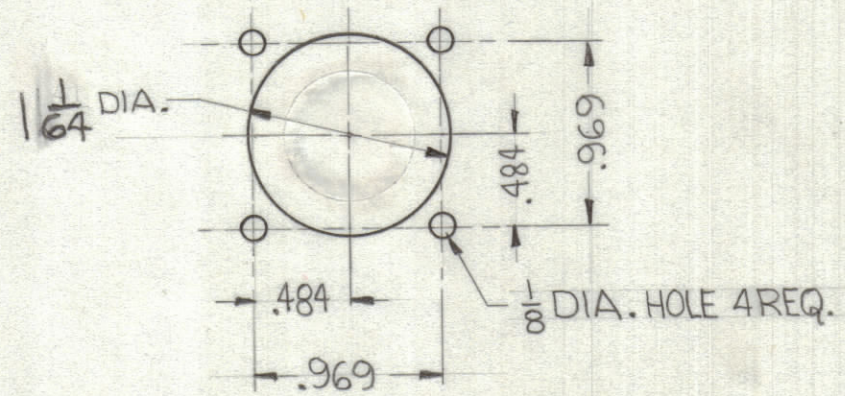
FRONT OF PANEL SHOWN

METAL STAMP TMC PART NO.
 1/8" HIGH BLACK GOTHIC ON
 REAR OF PANEL.

E DETAIL



F DETAIL



HOLE	DESCRIPTION	REQ.
A	SEE DETAIL C'SINK	6
B	SEE DETAIL C'SINK	6
C	29/64 x 1/4 SLOT	4
D	.0785 DIA.	3
E	SEE DETAIL	4
F	SEE DETAIL	4

FINISHING NOTES:

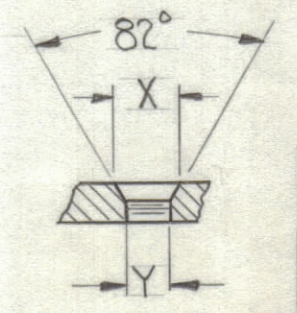
- 5404 IRIDITE
 - S114 ZINC CHROMATE PRIMER
 - S115 TMC SMOOTH GREY ENAMEL OR PRIME & PAINT TO CUST. SPEC.
- FRONT & EDGES ONLY

MACHINING NOTES:

- 1- LATERAL BOW OF PANEL MUST BE KEPT .031 TOL.
- 2- MILL ALL EDGES.
- 3- HOLES MUST BE DRILLED.
- 4- HOLES MUST BE FREE OF ALL MACHINING MARKS, GOUGES & SCRATCHES. IF NECESSARY, SAND FRONT OF PANEL WITH NO.120 GRIT SANDPAPER.

C'SINK DETAIL

HOLE	TYPE	X	Y
A	3-48	.204	DRILL & TAP 3-48
B	6-32	.284	.144



NOTES

1	QDP-T11B11X44	ASS'Y. NO.
QTY./UNIT	MODEL USED ON	ASS'Y. NO.
SCALE	CODE	
DO NOT SCALE		
THE CONTENTS OF THIS DRAWING ARE THE EXCLUSIVE PROPERTY OF THE TECHNICAL MATERIEL CORP. ITS UNAUTHORIZED USE OR REPRODUCTION IN WHOLE OR IN PART IS STRICTLY FORBIDDEN.		

REQ'D.	ITEM	PART NUMBER	DESCRIPTION	SYMBOL
PRITCHARD LIST OF MATERIAL				
MATERIAL		3/16 ALUMINUM 2024 T3		
FINISH		SEE FINISHING NOTES		
DRAWN		R. Juchin	DATE	5-24-62
CHECKED		Jude	DATE	5/31/62
ELECT. DES.			DATE	
MECH. DES.		ghm	DATE	5/24/62
			DATE	
			DATE	

THE TECHNICAL MATERIEL CORP.
 MAMARONECK, NEW YORK

TITLE: PANEL, FRONT MACHINING

MS-2988

MS-2988