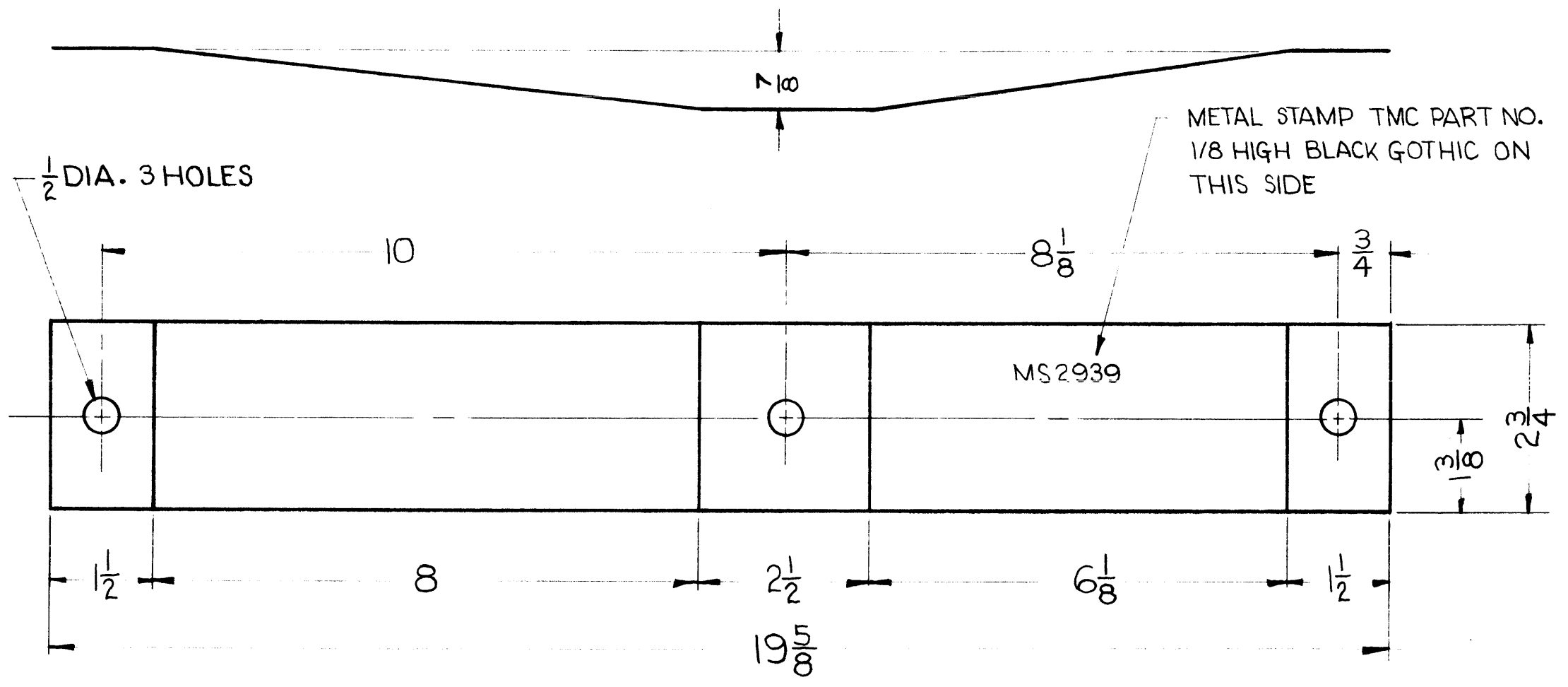


MS2935

THE CONTENTS OF THIS DRAWING ARE THE EXCLUSIVE PROPERTY OF THE TECHNICAL MATERIEL CORP. ITS UNAUTHORIZED USE OR REPRODUCTION IN WHOLE OR IN PART IS STRICTLY FORBIDDEN.



NOTICE: THE TECHNICAL MATERIEL CORP. MAKES NO WARRANTY, REPRESENTATION OR GUARANTEE OF ANY KIND, EXPRESS OR IMPLIED, AS TO THE ACCURACY, COMPLETENESS OR RELIABILITY OF THE INFORMATION CONTAINED HEREIN. THE USER SHALL BE RESPONSIBLE FOR OBTAINING NECESSARY PERMISSIONS FROM THE APPROPRIATE AGENCIES FOR THE REPRODUCTION AND USE OF THIS INFORMATION.

NOTE: USED ON RACK 9.12 ONLY
TMC SYSTEMS

φ	UNLESS OTHERWISE SPECIFIED:	8/14/69		CO		
SYM	DESCRIPTION	DATE	CH. NO.	DRAFTS	CHECKER	ENG. APP.
		SCALE: 1/2" = 1"-0				
	DIMENSIONS ARE IN INCHES	MAXIMUM ALLOWABLE TOLERANCES HAVE BEEN DETERMINED AND ANY DEVIATIONS WILL BE CAUSE FOR REJECTION. REMOVE ALL BURRS AND SHARP EDGES				
	TOLERANCES ON FRACTIONS ± 1/64 DECIMALS ± .005 ANGLES ± 1/2°	REQ. PER UNIT				

SYM 2002-9,10611				
MODEL	SECTION	ASS'Y. NO.	DATE	USED ON

REQ.	ITEM	PART NO.	DESCRIPTION	SYMBOL
		.064	THE TECHNICAL MATERIEL CORP. MAMARONECK, NEW YORK	
		STOCK SIZE		
		ALUM.	STABILIZER RACK 9.12	
		MATERIAL		
			R. Jurchin	SA 8/14/69
		TYPE & TEMPER	DRAWN	CHECKED
		HEAT TREAT. SPEC.		FINAL APPROVAL
		IRIDITED S404		
		FINISH & SPEC. NO.	ELEC. DES. APP.	MECH. DES. APP.
				MS2935 φ