

LEGEND

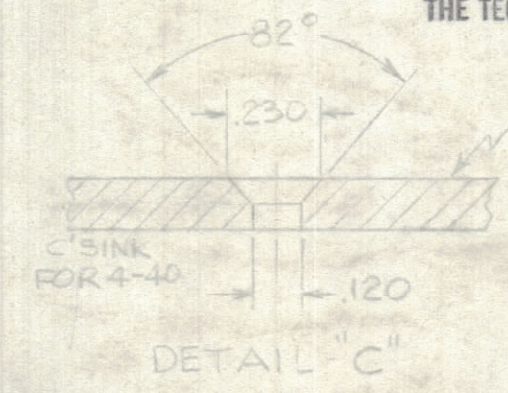
HOLE	DESCRIPTION	QUAN
A	5/32 DIA.	3
B	1/16 DIA.	4
C	.191-.194 DIA.	1
D	.191-.194 DIA.	

NOTICE TO PERSONS RECEIVING THIS DRAWING

THE TECHNICAL MATERIEL CORPORATION claims proprietary right in the material disclosed herein. This drawing is issued in confidence for engineering information only and may not be reproduced or used to manufacture anything shown hereon without permission from THE TECHNICAL MATERIEL CORPORATION to the user. This drawing is loaned for mutual assistance and is subject to recall at any time.

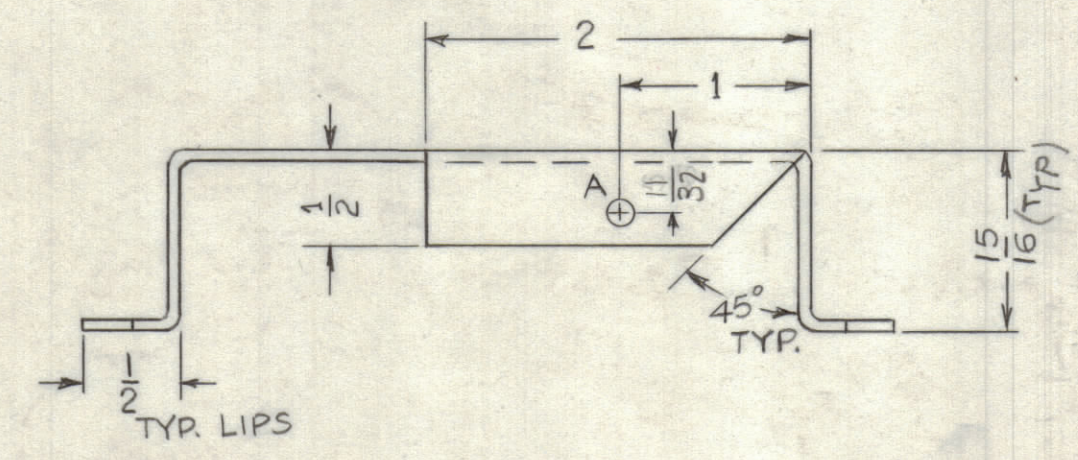
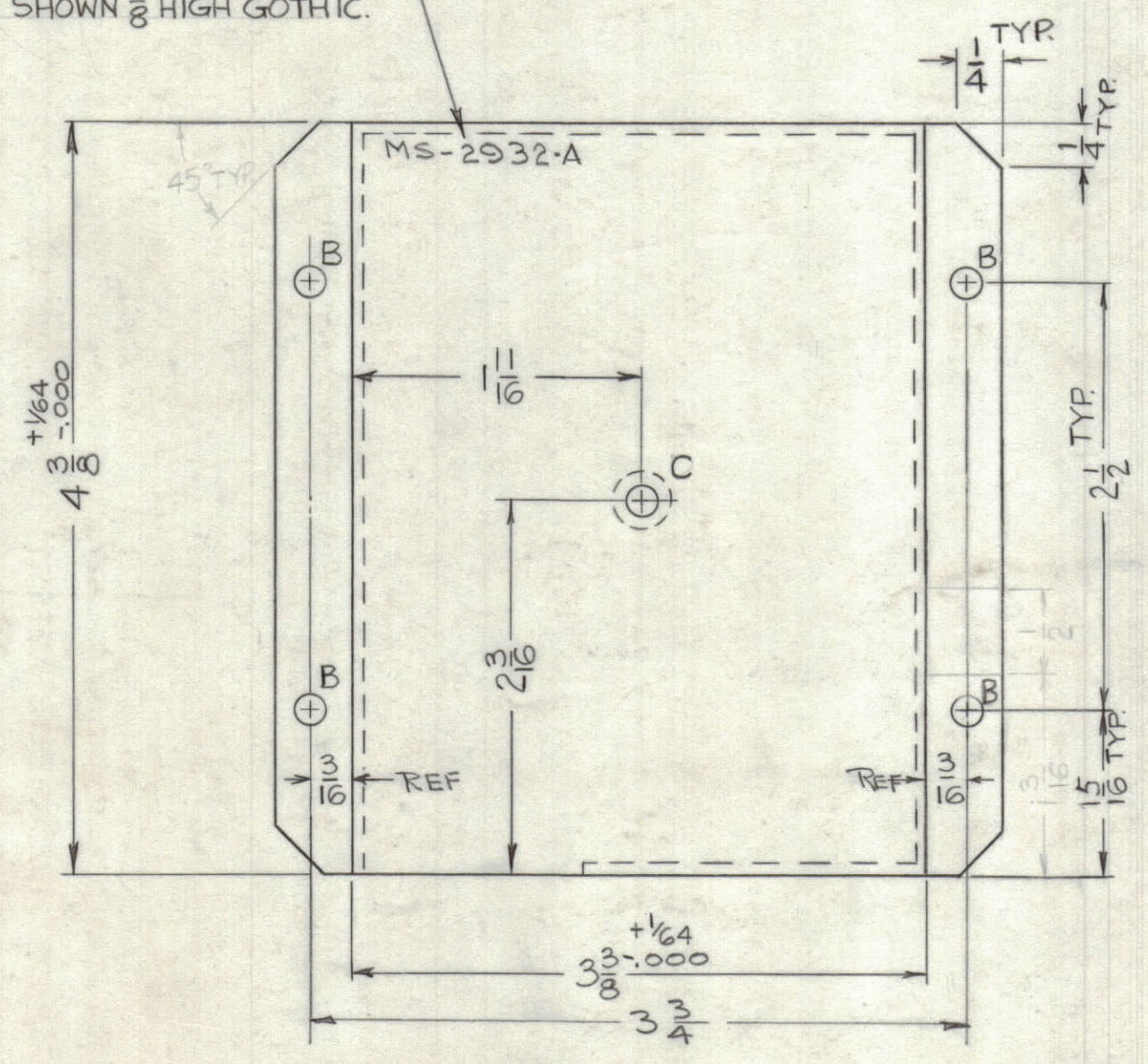
Property of:

THE TECHNICAL MATERIEL CORPORATION
MAMARONECK, NEW YORK



1 MOUNT ITEM 1 IN "C" HOLE AS SHOWN.

METAL STAMP TMC PART NO. AS SHOWN 1/8 HIGH GOTHIC.



USE MATERIAL THICKNESS FOR MAX. RADIUS ON ALL BENDS UNLESS OTHERWISE SPECIFIED

SYM	ZONE	DESCRIPTION	DATE	CH. NO.	DRAFTS	CHECKER	ENG. APP.
A		42885 (3) "A" HOLES WERE 1/8 DIA & RELOCATED	3-1-63	835R			

UNLESS OTHERWISE SPECIFIED:
DIMENSIONS ARE IN INCHES
TOLERANCES ON FRACTIONS ± 1/64 DECIMALS ± .005 ANGLES ± 1/2°

SCALE (DO NOT SCALE)

MAXIMUM ALLOWABLE TOLERANCES HAVE BEEN DETERMINED AND ANY DEVIATIONS WILL BE CAUSE FOR REJECTION. REMOVE ALL BURRS & SHARP EDGES

REQ. PER UNIT	MODEL	SECTION	ASS'Y. NO.	DATE
2	AFC-2A			7-26-62
2	AFC-3			7-26-62

REQ. ITEM	PART NO.	DESCRIPTION	SYMBOL
1	NT-129-632-4	NUT, ROUND, SWAGE TYPE	C
	.064	STOCK SIZE	
	ALUMINUM	MATERIAL	
		THE TECHNICAL MATERIEL CORP. MAMARONECK, NEW YORK	
		BASE, OVEN HOUSING	
		V. R.R. DRAWN	J.W. CHECKED
			BP FINAL APPROVAL
		3404 YEL. IRIDITE	
		FINISH & SPEC. NO.	
		ELEC. DES. APP.	
		MECH. DES. APP.	
		SHEET OF	MS-2932 A