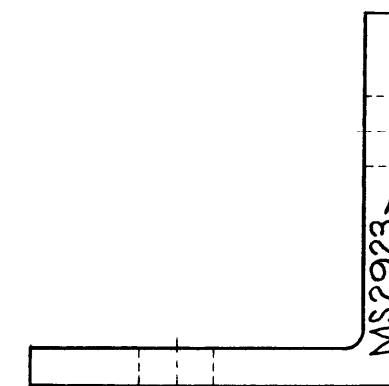
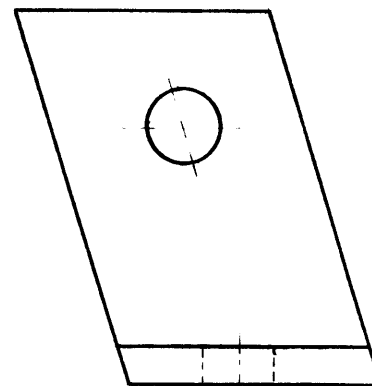
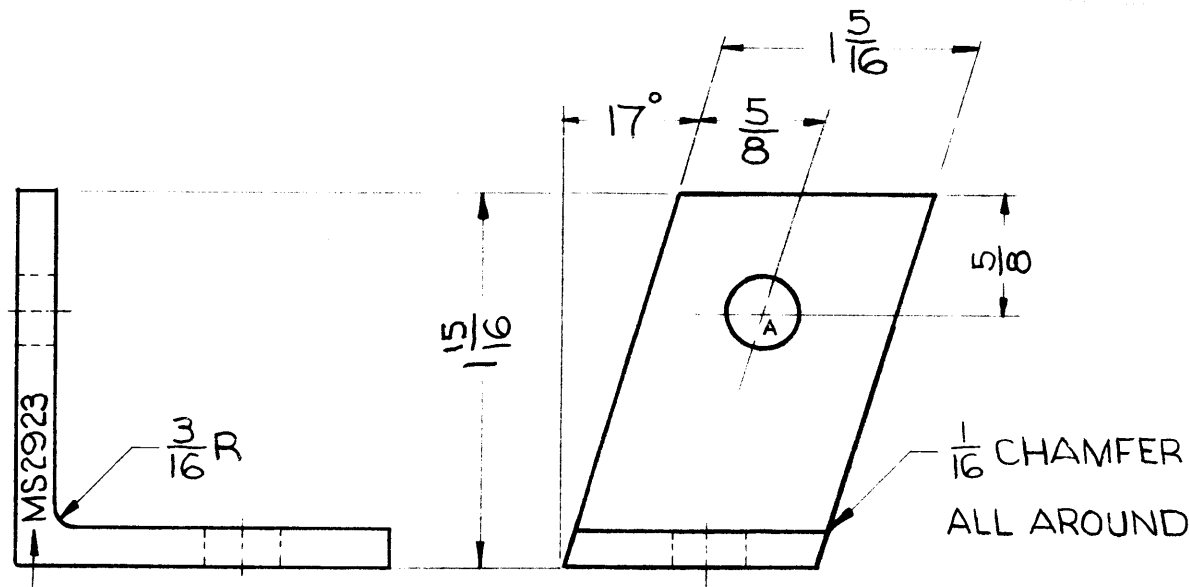
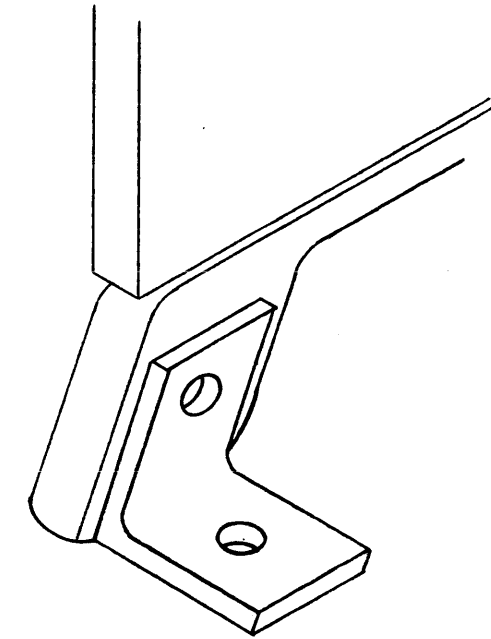
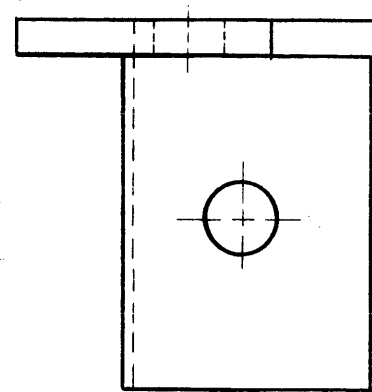
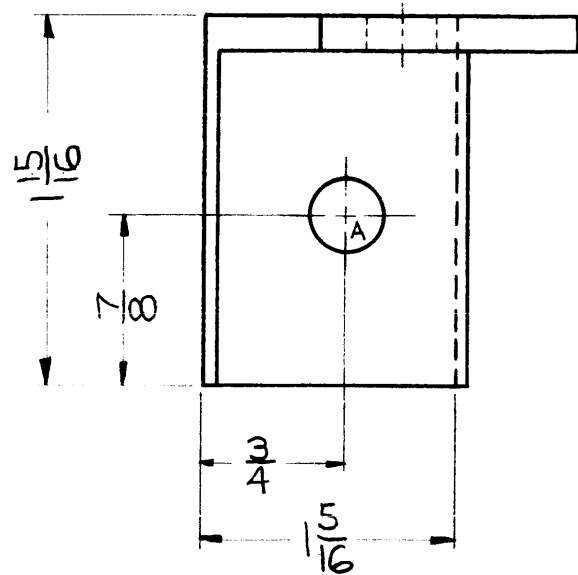


MS2923

THE CONTENTS OF THIS DRAWING ARE THE EXCLUSIVE PROPERTY OF THE TECHNICAL MATERIEL CORP. ITS UNAUTHORIZED USE OR REPRODUCTION IN WHOLE OR IN PART IS STRICTLY FORBIDDEN.

A - $\frac{3}{8}$ DIA. 2REQ.



METAL STAMP TMC PART NO. 1/8 HIGH BLACK GOTHIC ON THIS SIDE

METAL STAMP TMC PART NO. 1/8 HIGH BLACK GOTHIC ON THIS SIDE

ALL DIM. TYP. AS OTHER BRACKET

SYM	DESCRIPTION	DATE	CH. NO.	DRAFTS	CHECKER	ENG. APP.
		8/14/67				
UNLESS OTHERWISE SPECIFIED:		SCALE: FULL				
DIMENSIONS ARE IN INCHES		MAXIMUM ALLOWABLE TOLERANCES HAVE BEEN DETERMINED AND ANY DEVIATIONS WILL BE CAUSE FOR REJECTION. REMOVE ALL BURRS AND SHARP EDGES				
TOLERANCES ON FRACTIONS $\pm 1/64$ DECIMALS $\pm .005$ ANGLES $\pm 1/2^\circ$		REQ. PER UNIT	MODEL	SECTION	ASS'Y. NO.	DATE
			SYM2002			3-22-63

REQ.	ITEM	PART NO.	DESCRIPTION	SYMBOL
		3/16	THE TECHNICAL MATERIEL CORP. MAMARONECK, NEW YORK	
		STEEL	BRACKET	
			DESK MOUNTING	
			R. Luchini	8/14/67
		S115	DRAWN	CHECKED
				FINAL APPROVAL
				MS2923