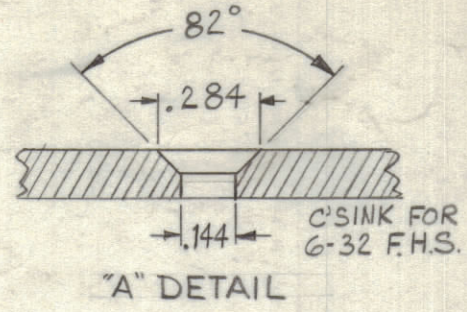


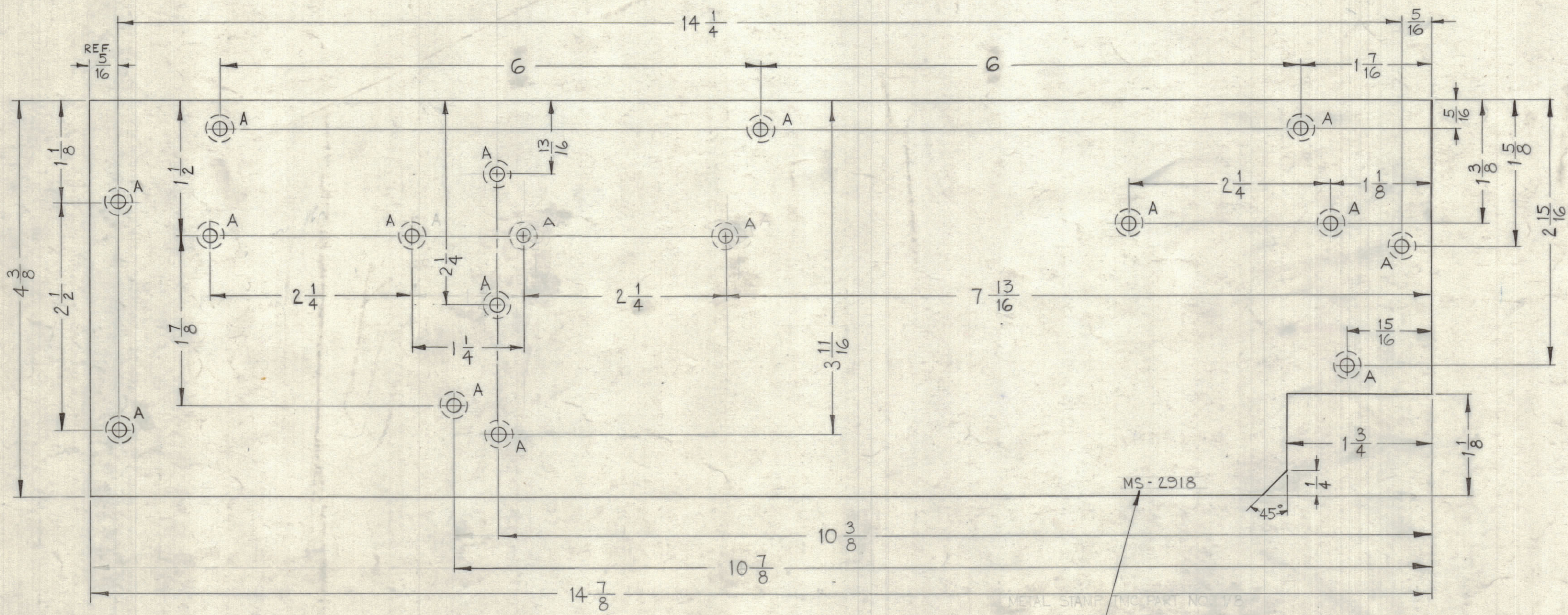
NOTICE TO PERSONS RECEIVING THIS DRAWING

THE TECHNICAL MATERIEL CORPORATION claims proprietary right in the material disclosed herein. This drawing is issued in confidence or engineering information only and may not be reproduced or used to manufacture anything shown herein without permission from THE TECHNICAL MATERIEL CORPORATION to the user. This drawing is loaned for mutual assistance and is subject to recall at any time.

Property of:
THE TECHNICAL MATERIEL CORPORATION
MAMARONECK, NEW YORK



LEGEND		
HOLE	DESCRIPTION	REQ.
A	SEE DETAIL	17



METAL STAMP TMC PART NO. 1/8
HIGH GOTHIC AS SHOWN.

SYM	ZONE	DESCRIPTION	DATE	CH. NO.	DRAFTS	CHECKER	ENG. APP.
A	D, E, G	2 "A" HOLES AND LOC. DIM. ADDED.	4-12-65	13868	OR	J. L.	<i>[Signature]</i>

UNLESS OTHERWISE SPECIFIED:
DIMENSIONS ARE IN INCHES
TOLERANCES ON
FRACTIONS ± 1/64 DECIMALS ± .005 ANGLES ± 1/2°

SCALE DO NOT SCALE

MAXIMUM ALLOWABLE TOLERANCES HAVE BEEN DETERMINED AND ANY DEVIATIONS WILL BE CAUSE FOR REJECTION.
REMOVE ALL BURRS & SHARP EDGES

REQ. PER UNIT	MODEL	SECTION	ASS'Y. NO.	DATE
1	HFS-1	3400		8-15-62

USED ON

REQ. ITEM	PART NO.	J. STRUMMER	DESCRIPTION	SYMBOL
.064			THE TECHNICAL MATERIEL CORP. MAMARONECK, NEW YORK	
ALUMINUM		3400 DECK		
5052-H32		<i>m.a.f.</i>		
S404 YEL. IRIDITE		<i>[Signature]</i>		
FINISH & SPEC. NO.		ELEC. DES. APP. MECH. DES. APP. SHEET OF		
		MS-2918 A		